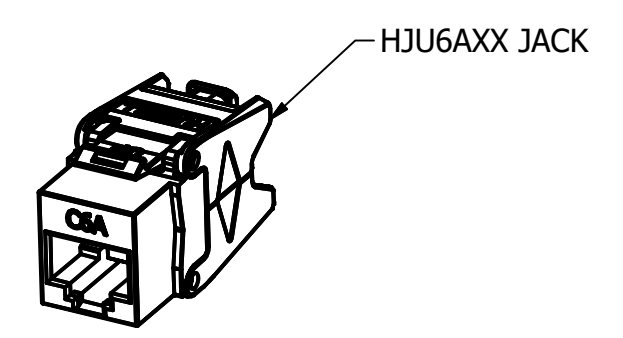
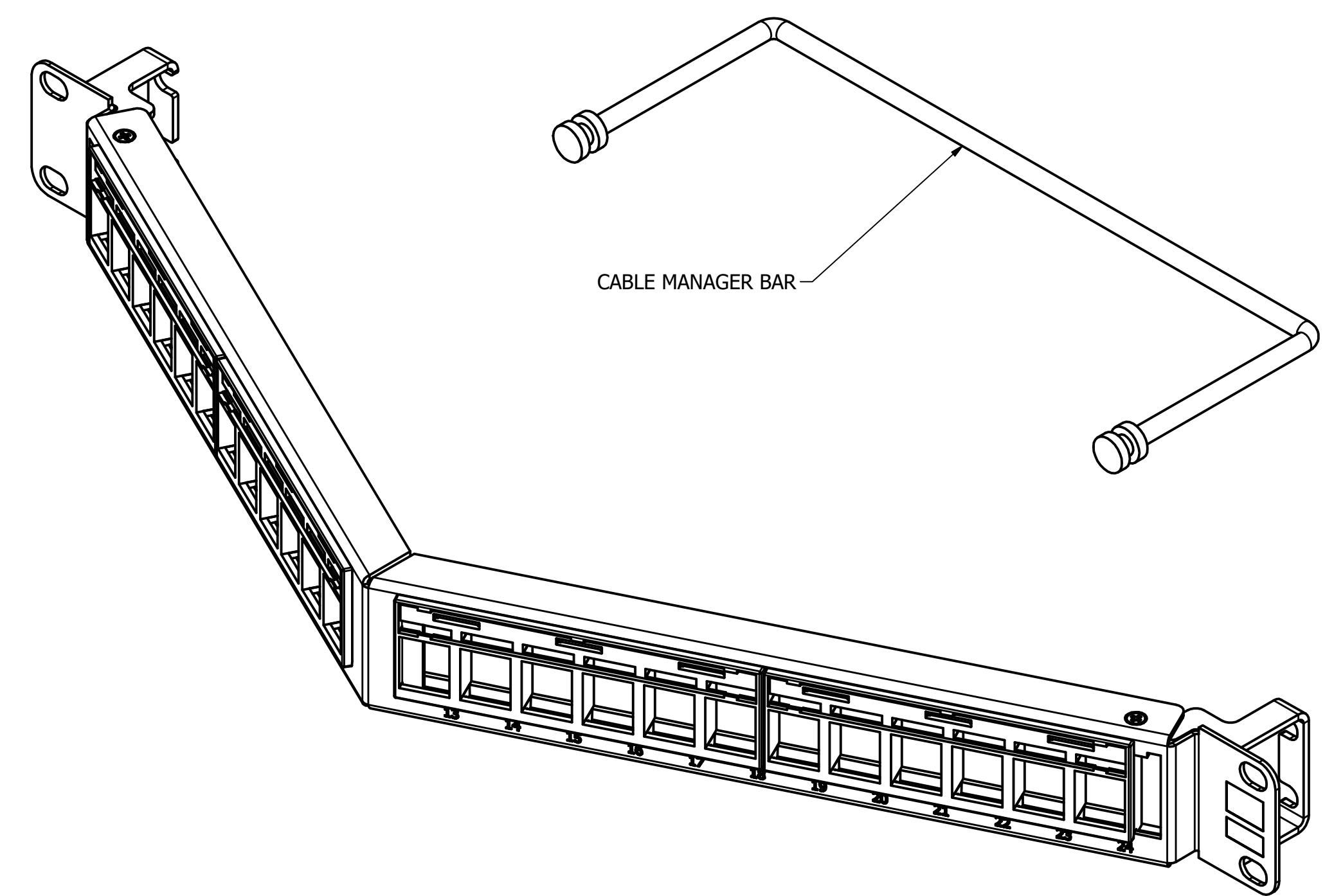
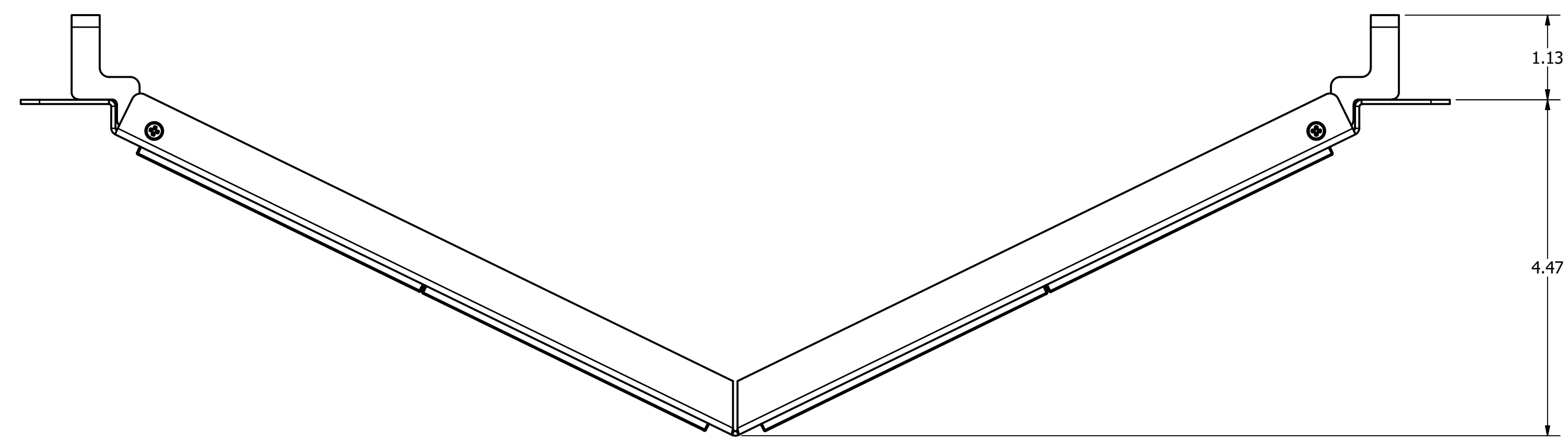
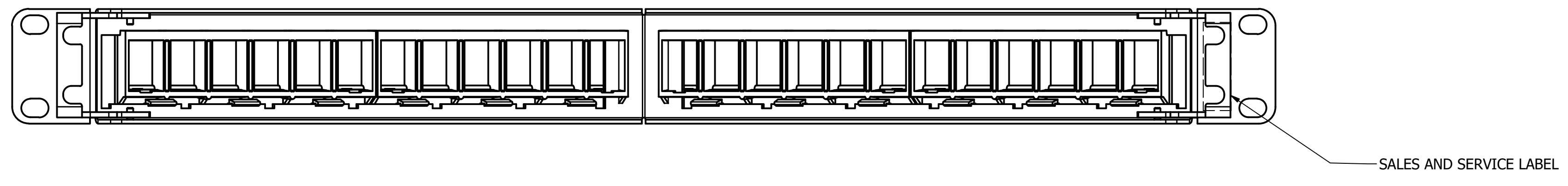
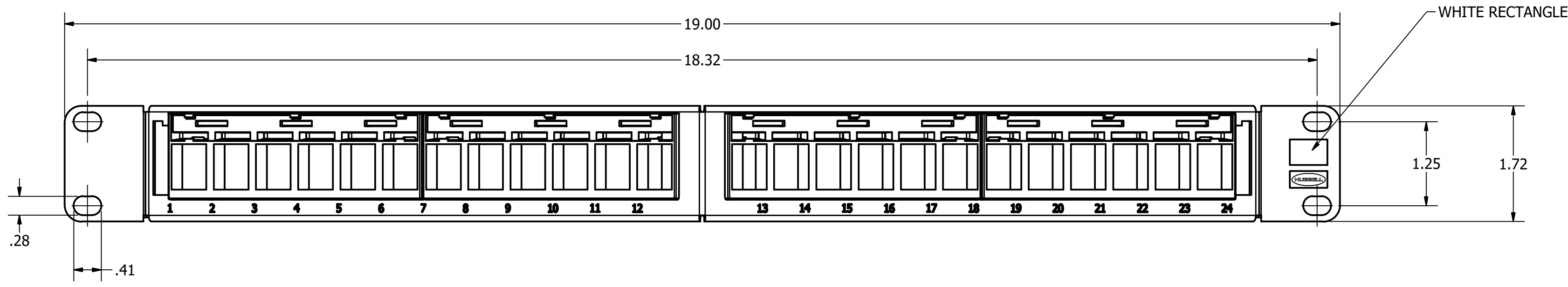


| CATALOG | DESCRIPTION |
|----------|---|
| HPJ6A24A | 24 PORT UNLOADED PANEL KIT W/C6A JACKS, BLACK |



- NOTES:
- PRODUCT INCLUDES
 - (1) PATCH PANEL ASSEMBLY
 - (4) LABEL CARDS
 - (4) CLEAR LABEL COVERS
 - (1) HARDWARE PACK
 - (1) INSTRUCTIONS
 - (1) HJU6A24BK, 24 PACK C6A JACKS
 - (1) CABLE MANAGER BAR
 - SPECIFICATIONS SUBJECT TO CHANGE WITHOUT NOTICE



| | | | | | | | | | | | | |
|---------------------|---|--|---------------------------------|--|--|---|-----------------|--|--------|--|---------|--|
| Created on INVENTOR | DIMENSIONING AND TOLERANCE PER ANSI Y14.5M-1982 UNLESS OTHERWISE SPECIFIED, DIMENSIONS ARE IN INCHES (MM). TOLERANCES: XX = ±.01 (.25) .XXX = ±.005 (.127) .XXXX = ±.0025 (.0635) ANGLE TOL ±1° | | PROJECT REFERENCE: NPD-02962 | | Hubbell Premise Wiring HUBBELL INCORPORATED (Delaware) 23 CLARA DRIVE, SUITE 103 MYSTIC, CT 06355 | | | | | | | |
| | IN ACCEPTING OUR DRAWINGS, BLUEPRINTS, OR SUPPORTING DOCUMENTATION FOR QUOTATION OR OTHER PURPOSES, YOU AGREE NOT TO DISCLOSE TO OTHERS THE IDEAS, INFORMATION, OR DESIGNS SHOWN HEREIN, AND THAT YOU WILL MAKE NO USE OF SAME WITHOUT PERMISSION | | DRAWN BY: D.O'CONNOR 9/12/19 | | | TITLE: 24 PORT ANGLED UNLOADED PATCH PANEL KIT W/C6A JACKS | | | | | | |
| | 1 | | 23840 | | 9/12/19 | | INITIAL RELEASE | | DPO | | MMA | |
| | REV. | | ECN | | DATE | | DESCRIPTION | | CHG BY | | APPD BY | |

| | | | | | |
|------|-------|---------|-----------------|--------|---------|
| 1 | 23840 | 9/12/19 | INITIAL RELEASE | DPO | MMA |
| REV. | ECN | DATE | DESCRIPTION | CHG BY | APPD BY |

| | | |
|--------|------------------|------|
| SIZE | DRAWING NO. | REV. |
| D | HWS14904C | 1 |
| SCALE: | DNS SHEET 1 OF 1 | |