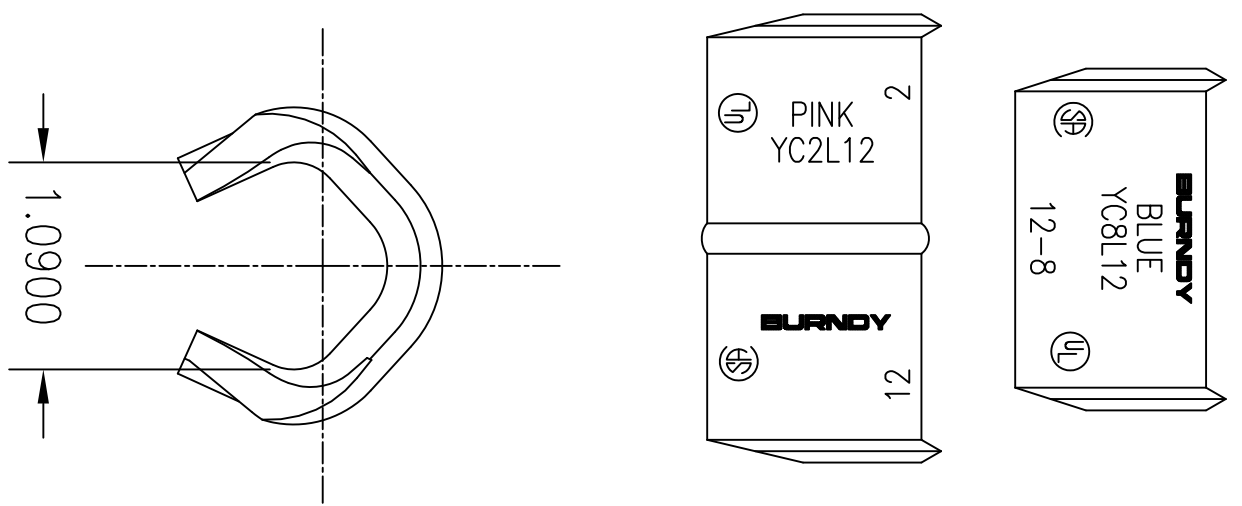
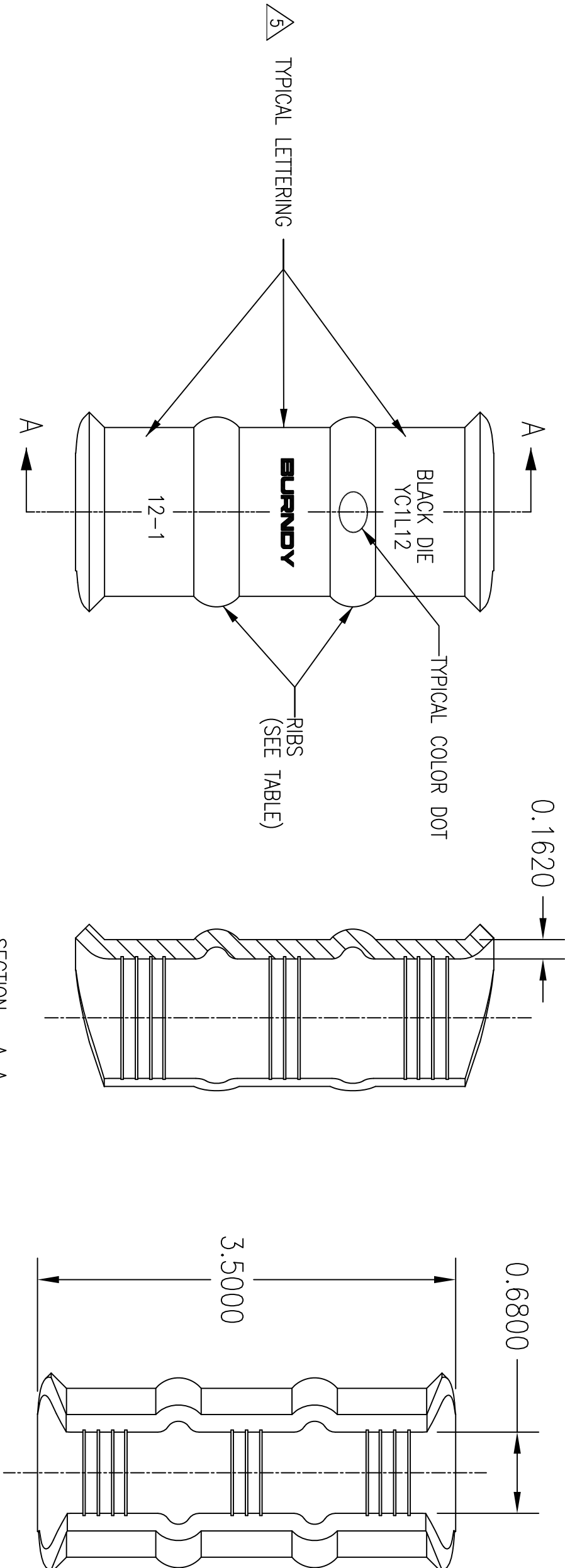


HPV CATALOG NUMBER	ACCOMMODATES MAIN (STR)	TAP (STR)	NDU RIBS	DIMENSIONS					COLOR CODE	BURNDY INSTALLATION (#CRIMPS)		HYDRAULIC		T & B INSTALLATION (#CRIMPS)		CARTON QTY		
				B REF	C ±.04	D ±.04	T ±.010	MECHANICAL		HYDRAULIC	WIRE STRIP LENGTH	TM20S	TM5S	TM6S	TM8S		TM45S	
HYC4L12	6	8-6	1	.39	.28	1.18	.072	BRDWN	BRDWN (2)	W2CVT (2)	UC4 (1)	UC4 (1)	10M	BRWN (2)	13454 (2)	13474/13477 (2)	13461 (2)	25
				5,4	12-8	[101]	[77]	[301]	[2]	BRDWN (2)	W2CVT (2)	UC4 (1)	UC4 (1)	10M	13454 (2)	13474/13477 (2)	13461 (2)	25
HYC2L12	4	5	1	.50	.36	1.18	.081	PINK	W25VT (2)	W25VT (2)	UC2 (1)	UC2 (1)	12M	13455 (2)	13475/13477 (2)	13462 (2)	25	
				3	12-6	[131]	[91]	[301]	[2]	PINK	W25VT (2)	UC2 (1)	UC2 (1)	12M	13455 (2)	13475/13477 (2)	13462 (2)	25
HYC1L12	3	4-3	2	.55	.34	1.75	.081	BLACK	W26VT (3)	W26VT (3)	UC1 (1)	UC1 (1)	13M	13455 (3)	13474/13477 (3)	13462 (3)	10	
				2	5-4	[141]	[91]	[441]	[2]	BLACK	W26VT (3)	UC1 (1)	UC1 (1)	13M	13455 (3)	13474/13477 (3)	13462 (3)	10
HYC25L12	2	3-2	2	.62	.42	1.75	.090	DRANGE	W27VT (3)	W27VT (3)	UC25 (1)	UC25 (1)	14M	13455 (3)	13474/13477 (3)	13462 (3)	10	
				1	4-3	[161]	[111]	[441]	[2]	DRANGE	W27VT (3)	UC25 (1)	UC25 (1)	14M	13455 (3)	13474/13477 (3)	13462 (3)	10



**NOTES:**

- MATERIAL: COPPER.
- FINISH: BRIGHT FINISH.
- DIMENSIONS IN BRACKETS [ ] ARE IN MILLIMETERS ROUNDED OFF TO THE NEAREST MILLIMETER, UNLESS OTHERWISE NOTED, AND ARE FOR REFERENCE ONLY.
- CRIMP LOCATIONS SEE TABLE FOR NO. OF RIBS.
- UL LISTED PER UL486A "WIRE CONNECTORS AND SOLDERING LUGS FOR USE WITH COPPER CONDUCTORS" AND CSA CERTIFIED PER C22.2 NO. 65 "WIRE CONNECTORS".
- UL LISTED PER UL467 "GROUNDING AND BOUNDING EQUIPMENT" AND CSA CERTIFIED PER C22.2 NO. 41 "GROUNDING AND BONDING EQUIPMENT" FOR STRANDED AND SOLID CONDUCTOR COMBINATIONS.
- PARTS ARE MARKED WITH COLOR DOT USING APPROPRIATE COLOR IN TABLE AS SHOWN.
- SPECIFICATIONS SUBJECT TO CHANGE WITHOUT NOTICE.

REV.	ECN	DATE	DESCRIPTION	CHG BY	APPD BY
1	17987	8/13/12	INITIAL RELEASE	CG	

Created on AUTOCAD

**HUBBELL**  
Hubbell Premise Wiring  
HUBBELL INCORPORATED (Delaware)  
23 CLARA DRIVE, SUITE 103 MWSTIC, CT 06355

TITLE: CTAP IRREVERSIBLE CRIMP CONNECTORS

PROJECT REFERENCE: 2011-041

MATERIAL: SEE NOTES

DRAWN BY: C. GRIBBLE 8/13/12

CHECKED BY:

APPROVED BY:

SIZE: C

DRAWING NO.: HWS14128C

SCALE: 1/1

SHEET 1 OF 1

REV. 1