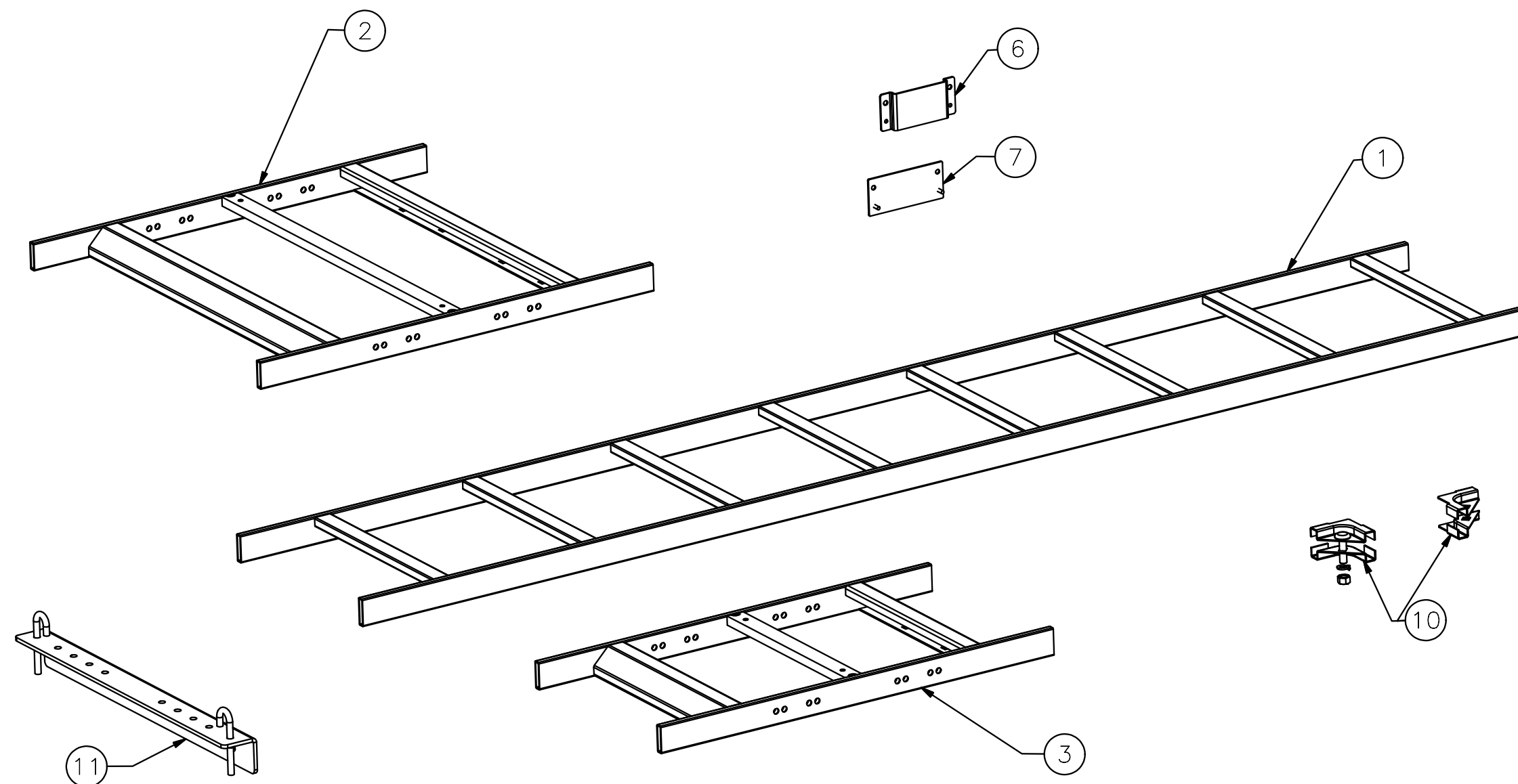


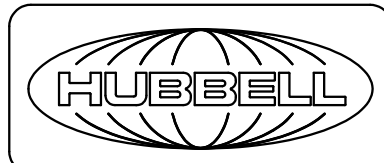
ITEM	DESCRIPTION	QTY
1	LADDER, 12"WIDE 6FT LONG	2
2	LADDER, 22" WIDE WITH SLOPES	1
3	LADDER, 12" WIDE WITH SLOPES	1
4	3/8-16 X 5/8 CARRIAGE BOLT	4
5	3/-16 LOCK NUT (NOT SHOWN)	4
6	FLAT CLAMP BRACKET	5
7	OFFSET CLAMP BRACKET	5
8	#8-32 LOCK NUT (NOT SHOWN)	10
9	#12-24 x 5/8 THREAD FORMING SCREW (NOT SHOWN)	6
10	T-JUNCTION SPLICE KIT	1
11	WALL ANGLE SUPPORT	1

CATALOG	DESCRIPTION
ICKC	REAR CABLE MANAGEMETN KIT FOR 5"W IFRAME
ICKCL7	REAR CABLE MANAGEMETN KIT FOR 7"W IFRAME
ICKCL9	REAR CABLE MANAGEMETN KIT FOR 9"W IFRAME

NOTES:

1. SURFACE FINISH: BLACK POWDER COAT
2. INSTRUCTION SHEET 77385901 INCLUDED.
3. SPECIFICATIONS SUBJECT TO CHANGE WITHOUT NOTICE.



Created on INVENTOR	DIMENSIONING AND TOLERANCE PER ANSI Y14.5M-1982 UNLESS OTHERWISE SPECIFIED, DIMENSIONS ARE IN INCHES (MM). TOLERANCES: XX = ±.01 (.25) .XXX = ±.005 (.127) .XXXX = ±.0025 (.0635) ANGLE TOL ±1°		PROJECT REFERENCE:		 <b>Hubbell Premise Wiring</b> HUBBELL INCORPORATED (Delaware) 23 CLARA DRIVE, SUITE 103 MYSTIC, CT 06355	
	IN ACCEPTING OUR DRAWINGS, BLUEPRINTS, OR SUPPORTING DOCUMENTATION FOR QUOTATION OR OTHER PURPOSES, YOU AGREE NOT TO DISCLOSE TO OTHERS THE IDEAS, INFORMATION, OR DESIGNS SHOWN HEREIN, AND THAT YOU WILL MAKE NO USE OF SAME WITHOUT PERMISSION		MATERIAL:  SEE COMPONENTS			TITLE:  I-FRAME REAR CABLE MANAGEMENT KIT
			DRAWN BY: <b>MABBY 06/27/16</b>		SIZE: <b>C</b>	DRAWING NO.: <b>11939C</b>
			CHECKED BY:		SCALE: <b>N/A</b>	SHEET <b>1</b> OF <b>1</b>
		APPROVED BY:		REV. <b>1</b>		

REV.	ECN	DATE	DESCRIPTION	CHG BY	APPD BY
1	21405	06/28/16	INITIAL RELEASE	MMA	DO