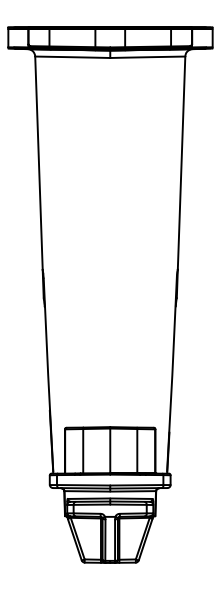
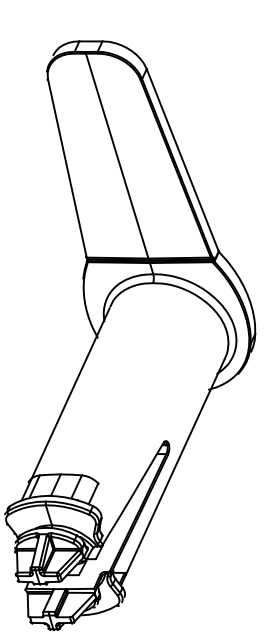
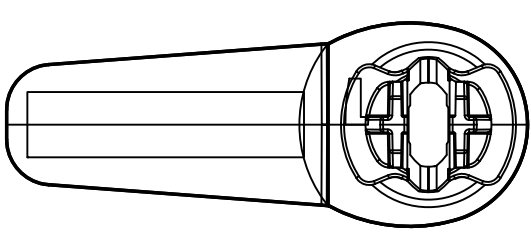
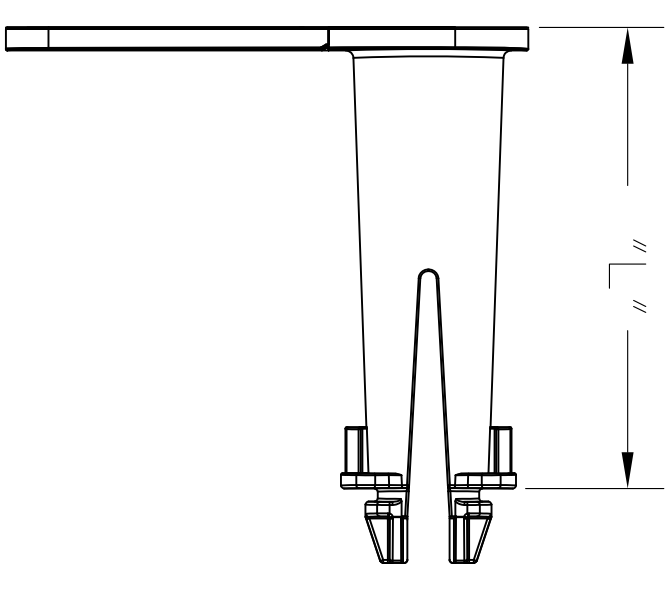


CATALOG NUMBER	"L" LENGTH	DESCRIPTION
ICKSS	3.00	3" DEEP SPOOL KIT
ICKSS6	6.00	6" DEEP SPOOL KIT
ICKSS9	7.75"	7.75" DEEP SPOOL KIT

- NOTES:
1. MATERIAL/COLOR: PC/ABS – BLACK
  2. KIT CONTAINS 50 SPOOLS
  3. USE WITH:
    - ISXXX – I-FRAME
    - VSXX – VERTICAL ORGANIZER
  4. DRAWING SUBJECT TO CHANGE WITHOUT NOTICE.



DIMENSIONING AND TOLERANCING PER ANSI Y14.5M-1982 UNLESS OTHERWISE SPECIFIED, DIMENSIONS ARE IN INCHES [MM] TOLERANCES .XX = ±.01 [.25] .XXX = ±.005 [.13] .XXXX = ±.0025 [.06] ANGLE TO .1°		PROJECT REFERENCE: MATERIAL: DRAWN BY: N.RICHARDS 10/28/07 CHECKED BY: APPROVED BY:		TITLE: <b>HUBBELL</b> Cable Management Spool HUBBELL Premise Wiring HUBBELL INCORPORATED (Delaware) 14 Lord's Hill Road, Sturington, Connecticut 06378	
IN ACCEPTING OUR DRAWINGS, BLUEPRINTS, OR SUPPORTING DOCUMENTATION FOR QUOTATION OR OTHER PURPOSES, YOU AGREE NOT TO DISCLOSE TO OTHERS THE IDEAS, INFORMATION, OR DESIGNS SHOWN HEREIN, AND THAT YOU WILL MAKE NO USE OF SAME WITHOUT PERMISSION		DRAWING NO. <b>HWS12130C</b>		REV. <b>B</b>	
Created on AUTO CAD		SIZE <b>B</b>		SCALE: 1/1	
REV.	ECN	DATE	DESCRIPTION	CHG BY	APPD BY
<b>B</b>	<b>17155</b>	<b>10-31-11</b>	<b>ADDED 6" LONG VERSION</b>	<b>MMA</b>	<b>RM</b>