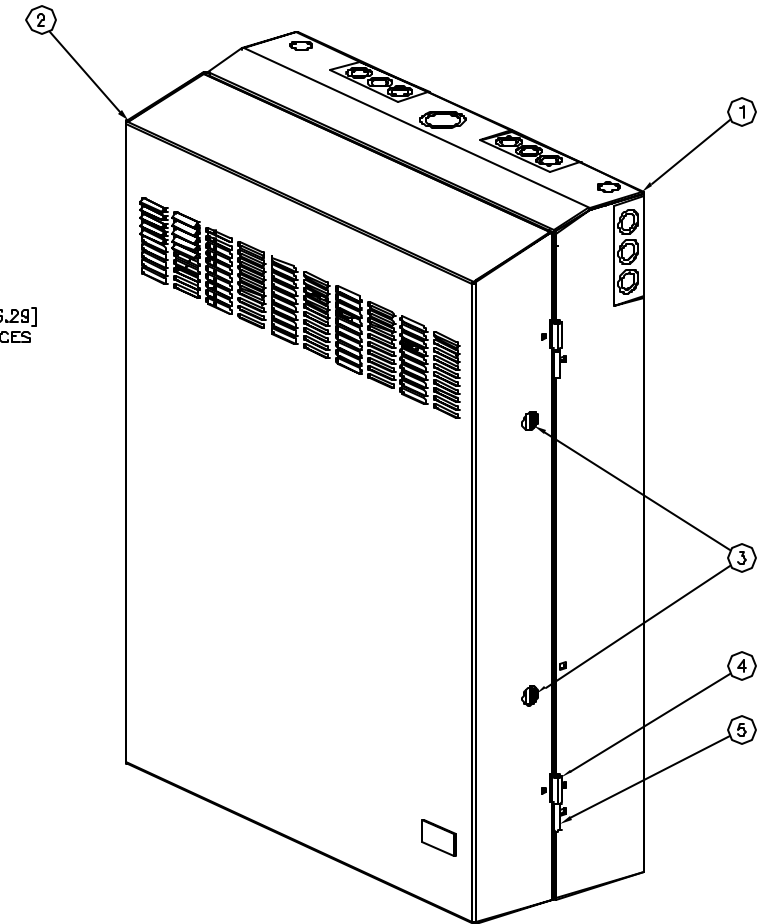
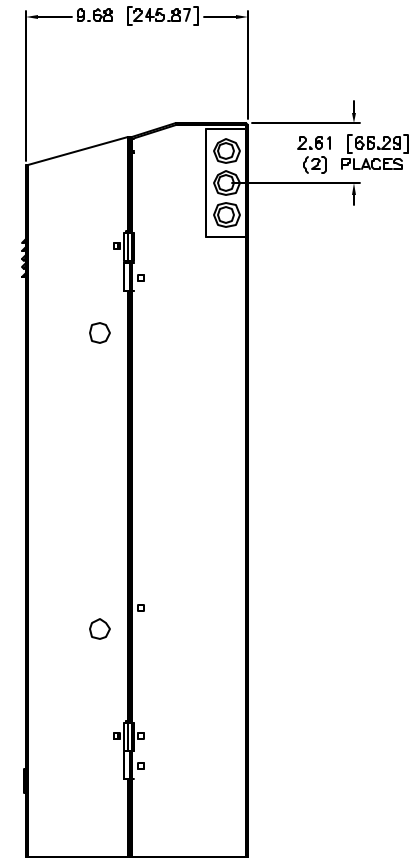
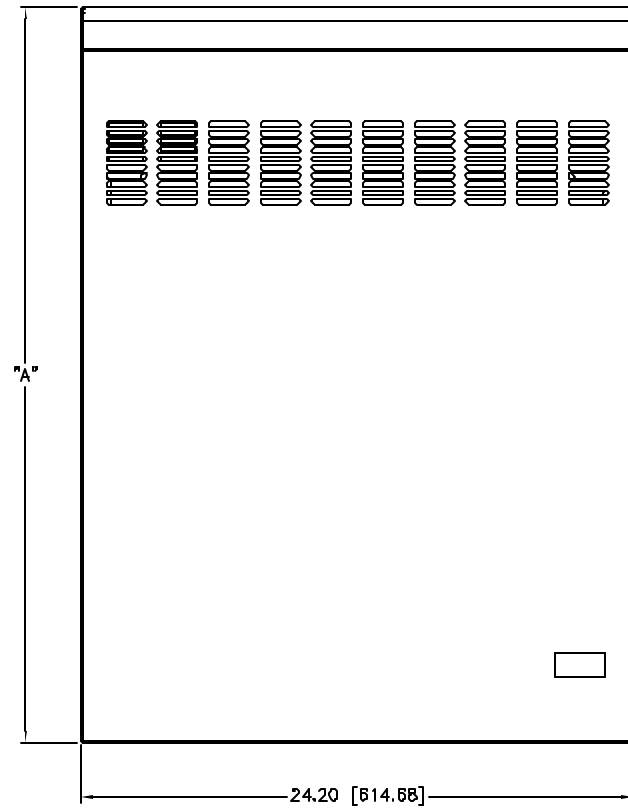
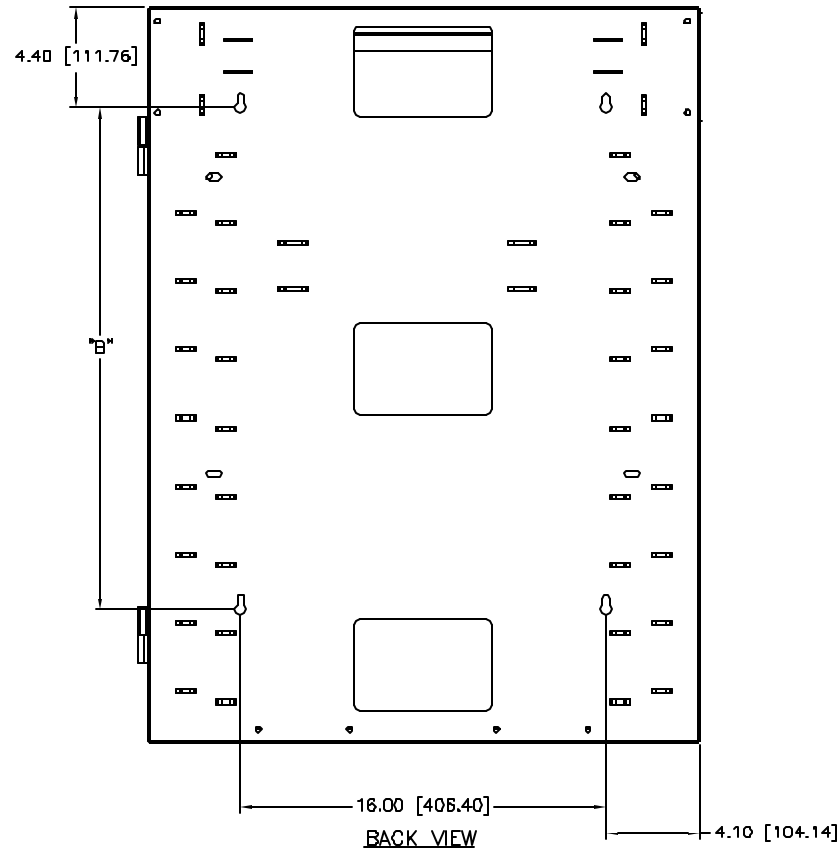
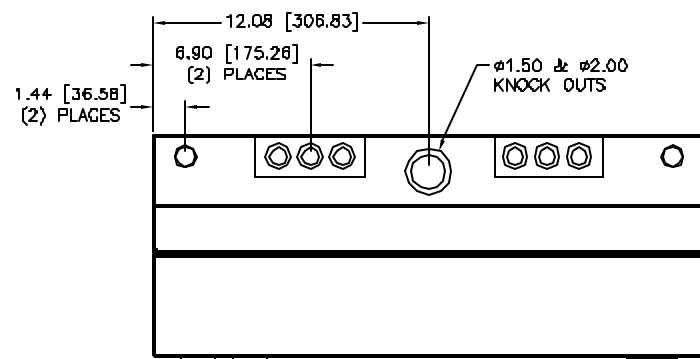
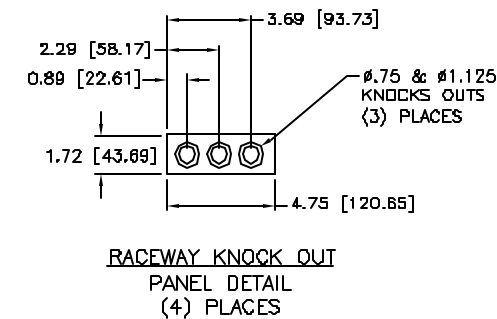
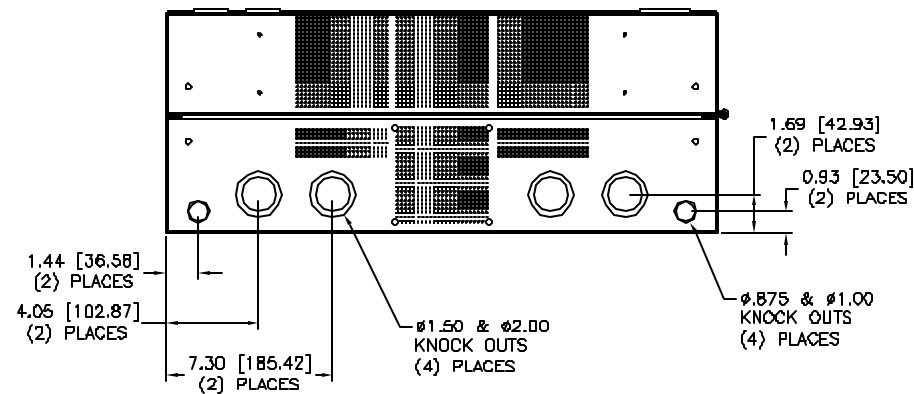


ITEM NO.	DESCRIPTION	QTY.
1	IDF ENCLOSURE BASE	1
2	IDF DOOR	1
3	DOOR LOCK	2
4	DOOR HINGE, RIGHT SIDE	2
5	DOOR HINGE	2

CATALOG NUMBER	DIM. "A"	DIM. "B"	DESCRIPTION
IDF24	24.0 [609.60]	13.0 [330.20]	ASSY, IDF CABINET, 24", GRAY
IDF32	32.2 [817.88]	22.0 [558.80]	ASSY, IDF CABINET, 32", GRAY
IDF42	42.0 [1066.80]	22.0 [558.80]	ASSY, IDF CABINET, 42", GRAY



- NOTES:
- 16 GAUGE STEEL WELDED CONSTRUCTION
 - DURABLE POWDER COAT FINISH (GRAY)
 - DOOR SWING IS REVERSIBLE
 - DESIGNED TO DISSIPATE 160W WITHOUT A FAN
 - ABUNDANT CABLE ENTRY THROUGH SIDES, BOTTOM AND TOP
 - HOUSES 19" PATCH PANELS AND ACTIVE NETWORK EQUIPMENT
 - LOAD CAPACITY: 100 LBS.
 - ACCESSORIES BAG:
 - (2) LEFT HINGES
 - (4) 1/4" - 20 x 5/8" CARRIAGE BOLT
 - (4) 1/4" - 20 LOCK NUT
 - (2) DOUBLE "D" PLUG, BLACK
 - (4) 1/4" - 20, HOLE, PLUG
 - (1) MOUNTING TEMPLATE
 - (1) BELLCORE KEY
 - SPECIFICATIONS SUBJECT TO CHANGE WITHOUT NOTICE.



REV.	EGN	DATE	DESCRIPTION	CHG BY	APPD BY
A	4696	06/10/02	INITIAL RELEASE	PSM	RB

Dimensioning and Tolerance per ANSI Y14.5M-1992 UNLESS OTHERWISE SPECIFIED, DIMENSIONS ARE IN INCHES (MM). TOLERANCES .XX = ±0.1 (.20) .XXX = ±0.00 (.127) .XXX = ±0.025 (.0635) ANGLE TOL. ±1°

IN ACCEPTING OUR DRAWINGS, BLUEPRINTS, OR SUPPORTING DOCUMENTATION FOR QUOTATION OR OTHER PURPOSES, YOU AGREE NOT TO DISCLOSE TO OTHERS THE IDEAS, INFORMATION, OR DESIGNS SHOWN HEREIN, AND THAT YOU WILL MAKE NO USE OF SAME WITHOUT PERMISSION

PROJECT REFERENCE:

MATERIAL:

DRAWN BY:
PAUL S. MAGUIRE 06/10/02

CHECKED BY:
ROB BAXTER 06/11/02

APPROVED BY:
ROB BAXTER 06/11/02

Hubbell Premise Wiring
HUBBELL INCORPORATED (Delaware)
14 Leno's Hill Road, Shelton, Connecticut 06484

TITLE: RACKS/ENCLOSURES
IDF CABINETS
ASSY, IDF SERIES CABINETS

SIZE: D DRAWING NO. C11442

SCALE: 1/1 SHEET 1 OF 1

REV. A