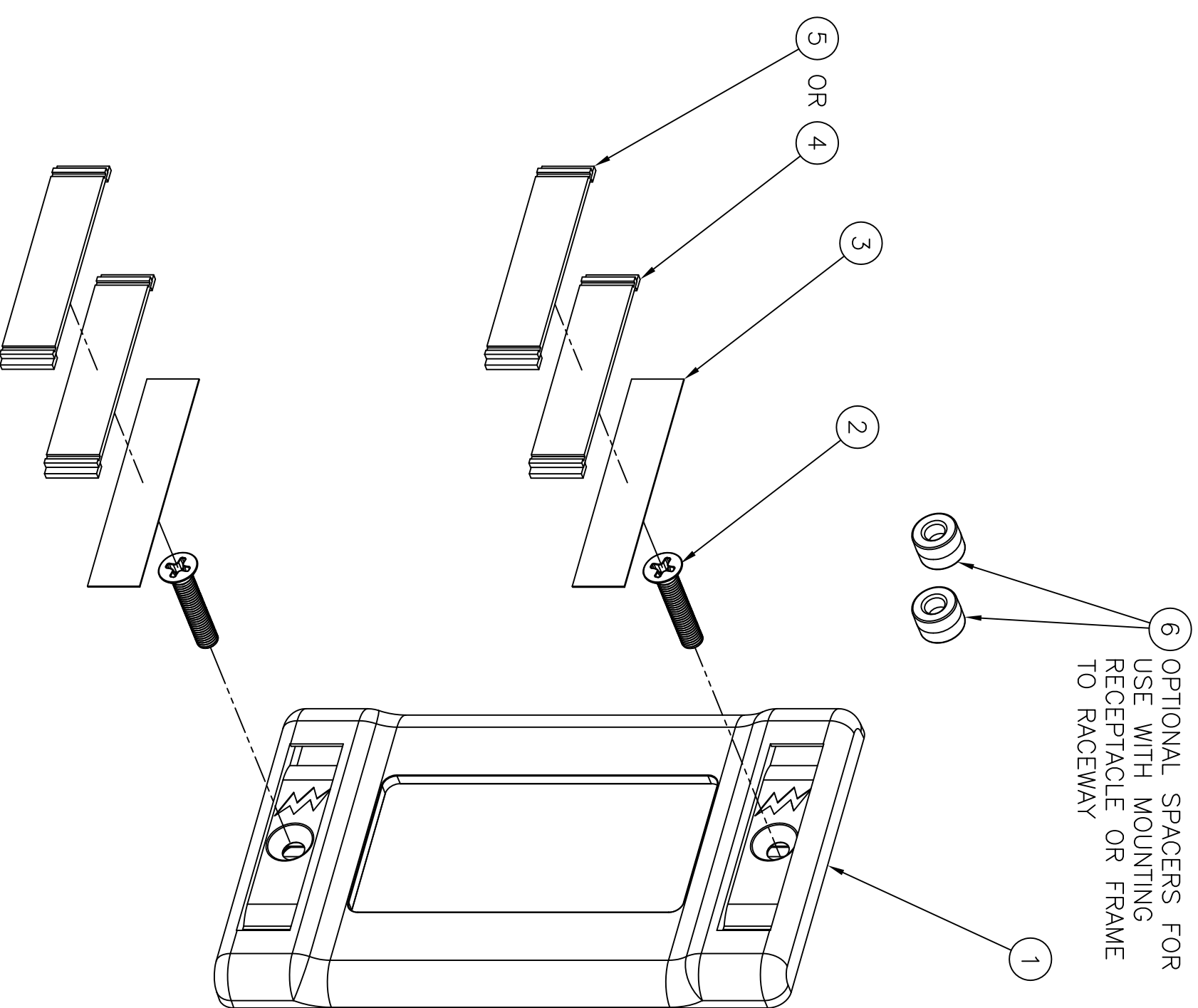
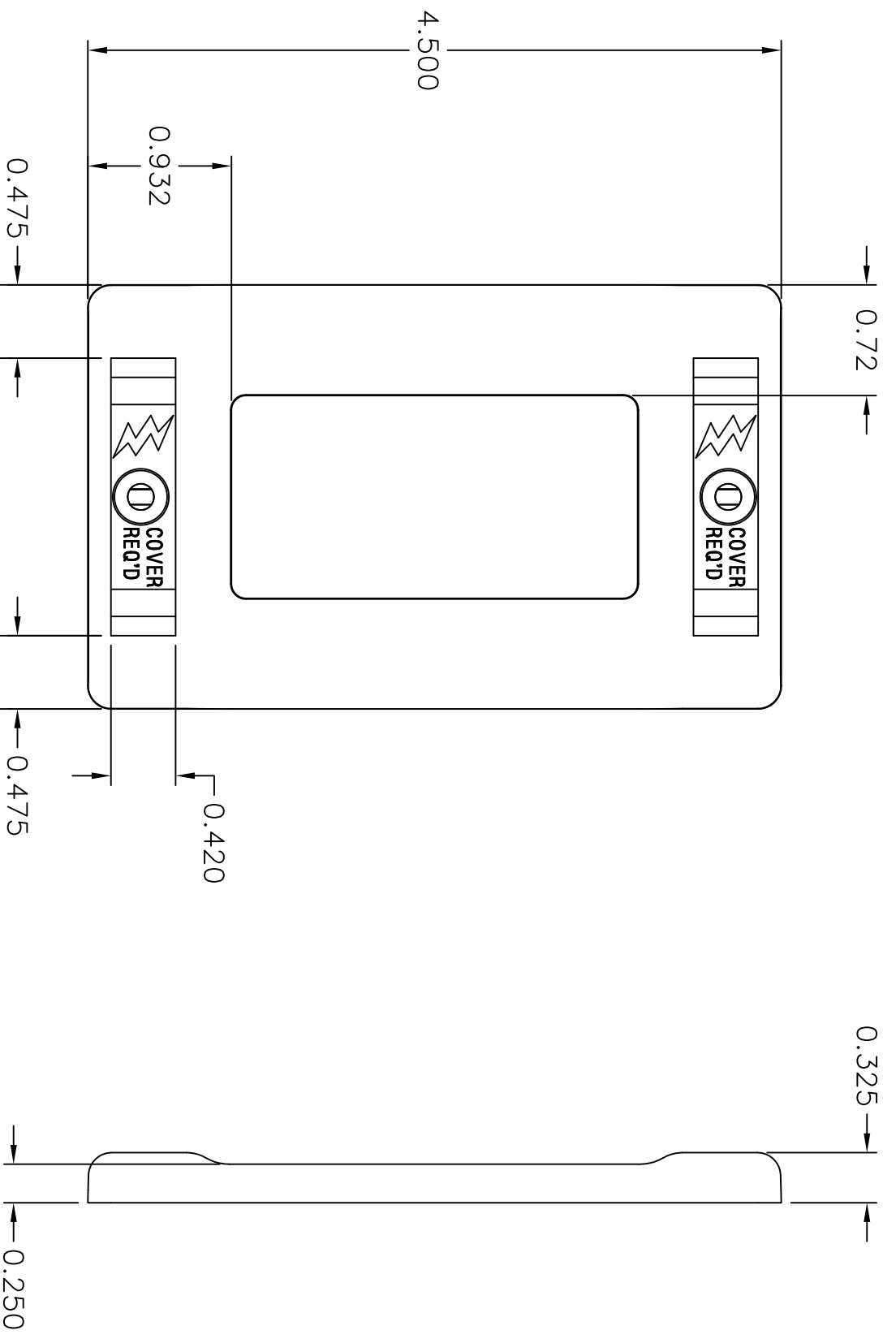
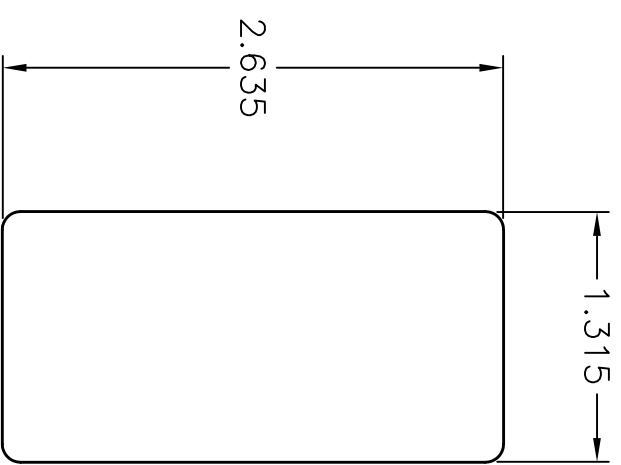


ITEM NO.	DESCRIPTION	QTY.
1	PLATE,FLUSH,1 GANG,W/LABELS	1
2	SCREW,6-32 x 1/4,FLAT HEAD	2
3	CARD,PAPER,.40X1.92,BLANK	2
4	COVER LABEL,CLEAR	2
5	COVER LABEL,MATCHING COLOR	2
6	SPACER,RECEPTACLE	2

CATALOG NUMBER	COLOR	DESCRIPTION
IFP1260W	OFFICE WHITE	INFIN-E-STATION IFF COVER PLATE SINGLE GANG
IFP126AL	ALMOND	INFIN-E-STATION IFF COVER PLATE SINGLE GANG
IFP126W	WHITE	INFIN-E-STATION IFF COVER PLATE SINGLE GANG
IFP126GY	GRAY	INFIN-E-STATION IFF COVER PLATE SINGLE GANG



NOTES  
UNLESS OTHERWISE SPECIFIED:

1. CUL LISTED -- FOR POWER
2. UL LISTED -- FOR DATA
3. CSA CERTIFIED
4. SPECIFICATIONS SUBJECT TO CHANGE WITHOUT NOTICE

REV.	ECN	DATE	DESCRIPTION	CHG BY	APPD BY
D	16994	12/14/10	ADDED GRAY COLOR	CG	

Created on AUTOCAD

DIMENSIONING AND TOLERANCE PER  
ANSI Y14.5M-1982  
UNLESS OTHERWISE SPECIFIED,  
DIMENSIONS ARE IN INCHES (MM).  
TOLERANCES:  
.XX = ±.01 (.25)  
.XXX = ±.005 (.127)  
.XXXX = ±.0025 (.0635)  
ANGLE TOL ±.1°

PROJECT REFERENCE:  
MATERIAL:  
DRAWN BY:  
P.S.MAGUIRE 06/19/2001  
CHECKED BY:  
H. MCGREGOR 06/20/2001  
APPROVED BY:  
H. MCGREGOR 06/20/2001

TITLE:  
INFIN STATION IFF COVER PLATE  
SINGLE GANG  
WITH LABEL HOLDERS

**HUBBELL**  
Hubbell Premise Wiring  
HUBBELL INCORPORATED (Delaware)  
14 Lord's Hill Road, Stonington, Connecticut 06378

SIZE: C DRAWING NO.: C773035  
SCALE: FULL SHEET 1 OF 1