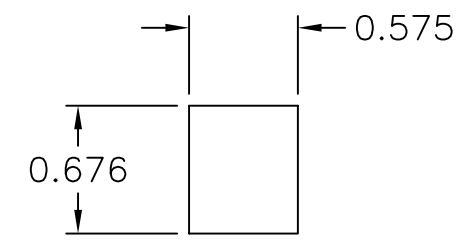
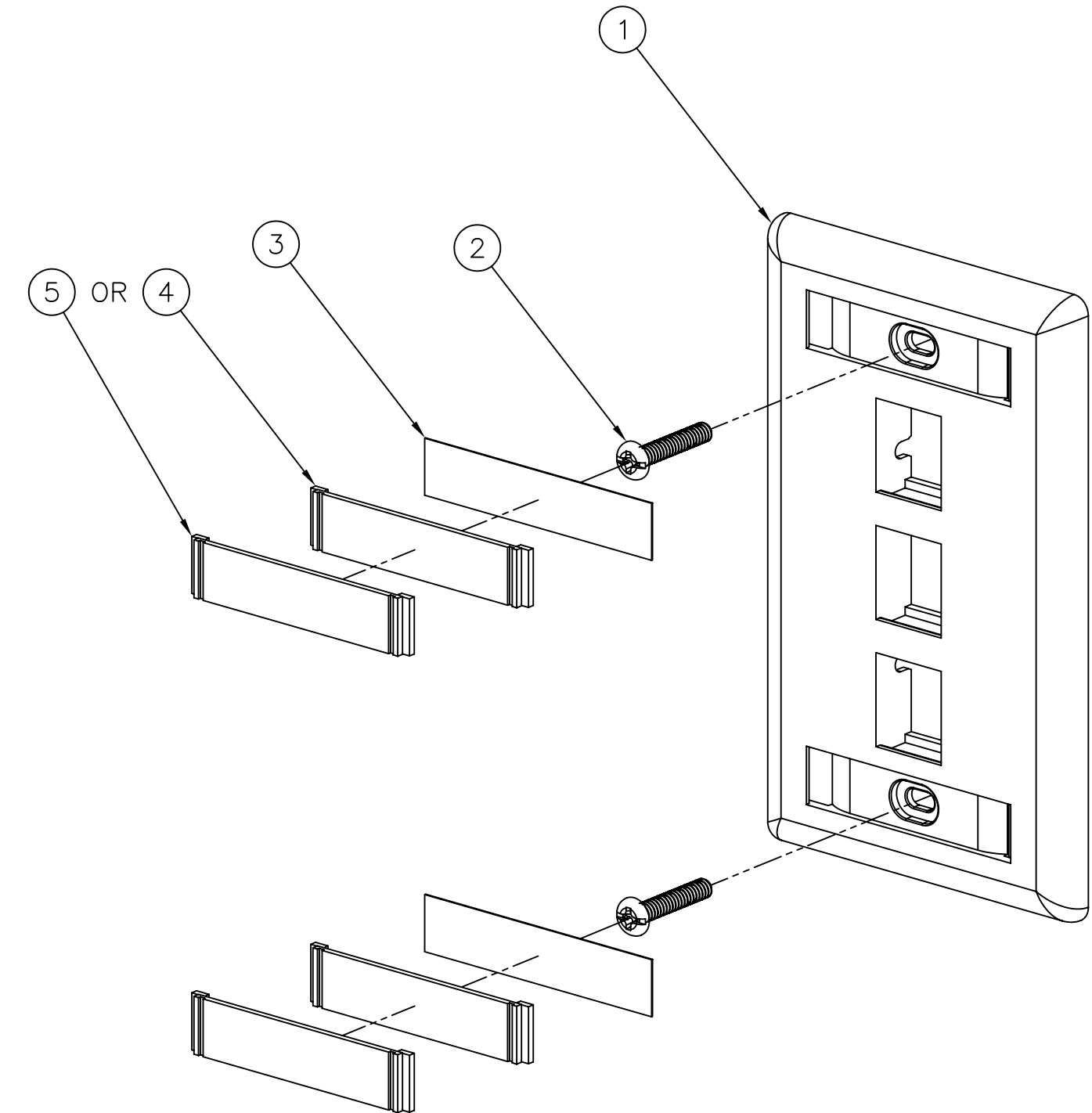
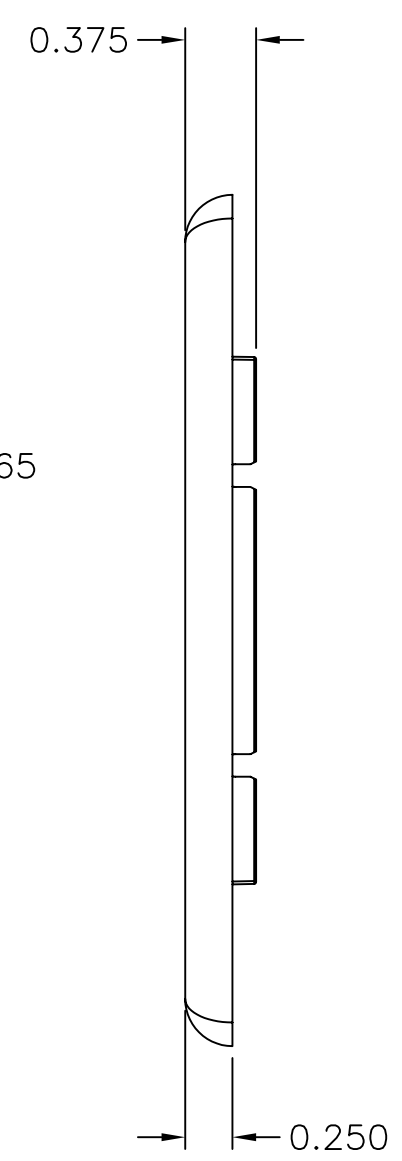
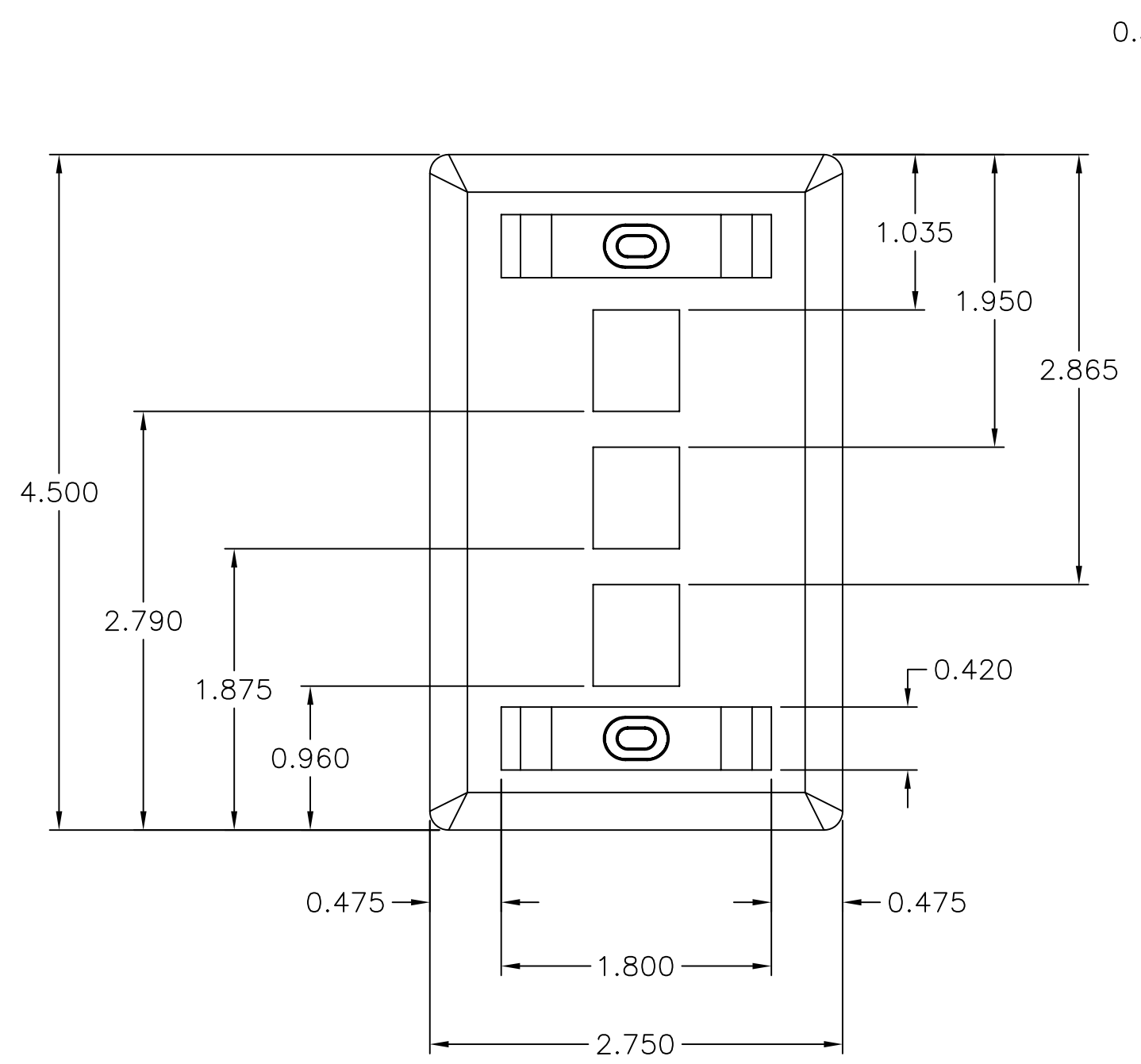


ITEM NO.	DESCRIPTION	QTY.
1	PLATE,FLUSH,3P,W/LABELS	1
2	SCREW,6-32 PAN HD-SPECIAL	2
3	CARD,PAPER,.40X1.92,BLANK	2
4	COVER LABEL,CLEAR	2
5	COVER LABEL,MATCHING COLOR	2

CATALOG NUMBER	COLOR	DESCRIPTION
IFP130W	OFFICE WHITE	PLATE, FLUSH 3 PORT
IFP13EI	ELECTRIC IVORY	PLATE, FLUSH 3 PORT
IFP13W	WHITE	PLATE, FLUSH 3 PORT
IFP13GY	GRAY	PLATE, FLUSH 3 PORT
IFP13TI	TELCO IVORY	PLATE, FLUSH 3 PORT
IFP13BK	BLACK	PLATE, FLUSH 3 PORT
IFP13AL	ALMOND	PLATE, FLUSH 3 PORT
IFP13LA	LIGHT ALMOND	PLATE, FLUSH 3 PORT



KEYSTONE OPENING



**NOTES**  
UNLESS OTHERWISE SPECIFIED:

1. UL LISTED: E129878
2. CSA CERTIFIED: LR 80837
3. SPECIFICATIONS SUBJECT TO CHANGE WITHOUT NOTICE

Created on AUTOCAD

DIMENSIONING AND TOLERANCE PER ANSI Y14.5M-1982  
UNLESS OTHERWISE SPECIFIED, DIMENSIONS ARE IN INCHES (MM).  
TOLERANCES  
.XX = ±.01 (.25)  
.XXX = ±.005 (.127)  
.XXXX = ±.0025 (.0635)  
ANGLE TOL ±1°

IN ACCEPTING OUR DRAWINGS, BLUEPRINTS, OR SUPPORTING DOCUMENTATION FOR QUOTATION OR OTHER PURPOSES, YOU AGREE NOT TO DISCLOSE TO OTHERS THE IDEAS, INFORMATION, OR DESIGNS SHOWN HEREIN, AND THAT YOU WILL MAKE NO USE OF SAME WITHOUT PERMISSION

PROJECT REFERENCE:

MATERIAL:

DRAWN BY:  
P.S.MAGUIRE 02/22/2001

CHECKED BY:  
H. MCGREGOR 02/28/2001

APPROVED BY:  
H. MCGREGOR 02/28/2001



**Hubbell Premise Wiring**  
HUBBELL INCORPORATED (Delaware)  
14 Lord's Hill Road, Stonington, Connecticut 06378

TITLE: **INFINE STATION FACE PLATE  
3 PORT, FLUSH  
WITH LABEL HOLDERS**

SIZE	DRAWING NO.	REV.
<b>C</b>	<b>C773016</b>	<b>C</b>
SCALE:	SHEET 1 OF 1	
<b>FULL</b>		

REV.	ECN	DATE	DESCRIPTION	CHG BY	APPD BY
C	5870	6/8/06	ADDED -LA CATALOG NUMBER	CD	
B	5680	8/23/05	ADDED -AL CATALOG NUMBER	CD	
A	4148	02/22/01	INITIAL RELEASE	PSM	HKM