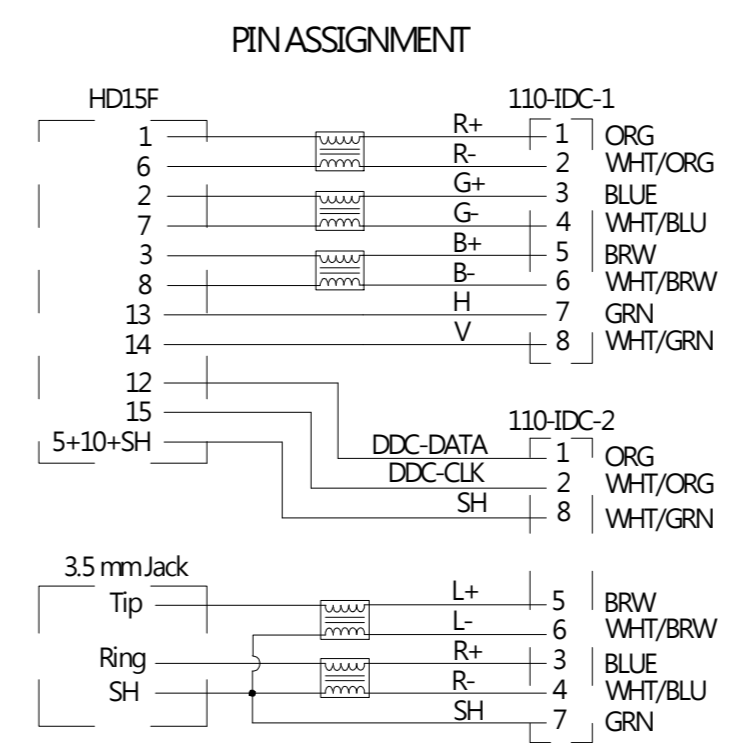
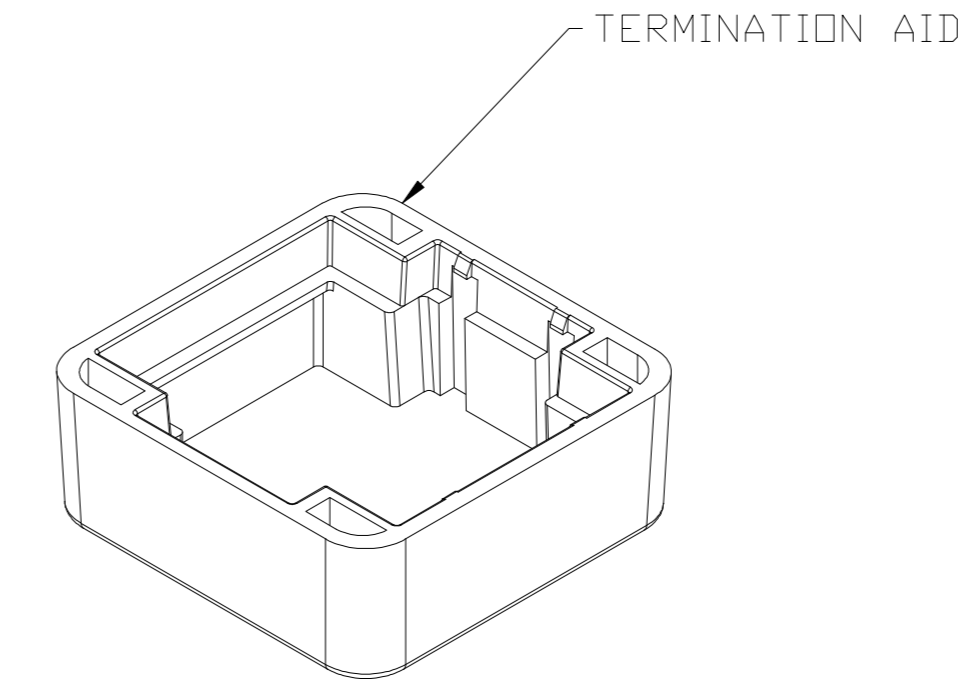
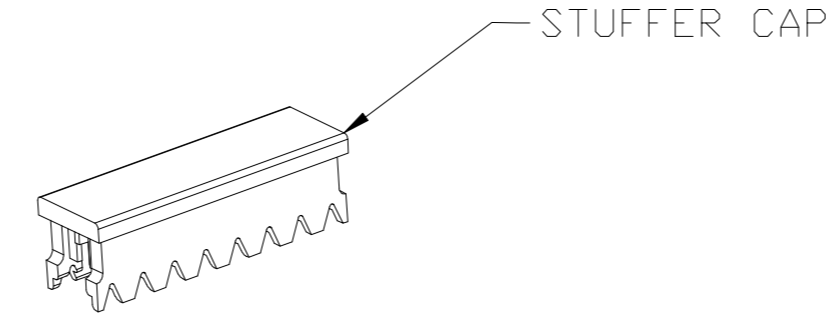
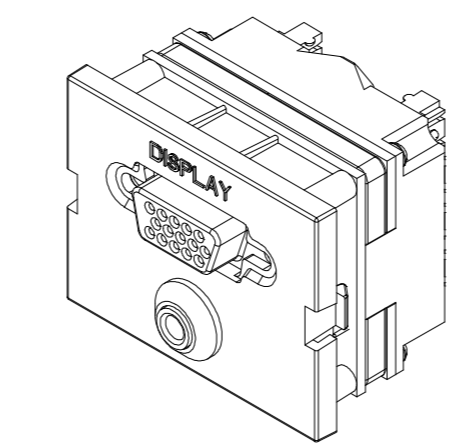
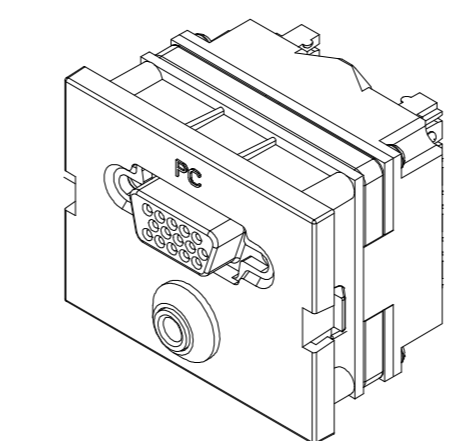
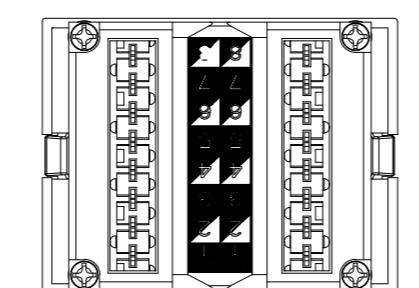
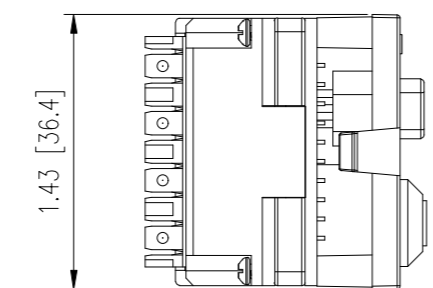
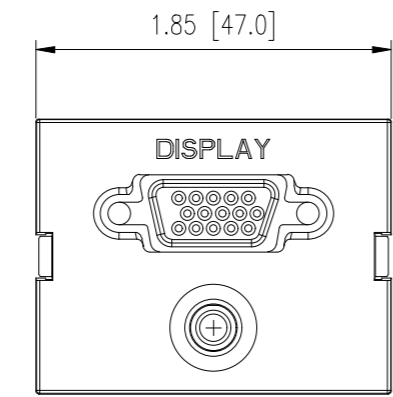
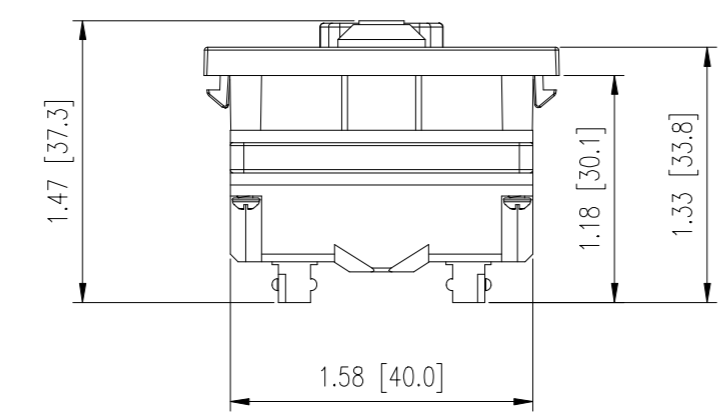
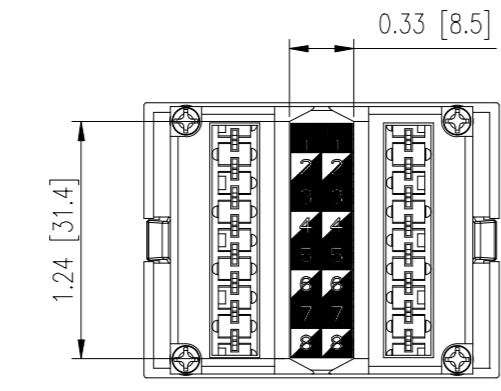


CATALOG NUMBER	COLOR	DESCRIPTION
IM15311015OW	OFFICE WHITE	ISTATION MOD,VGA,3.5MM,110,SET,1.5U,OW
IM15311015W	WHITE	ISTATION MOD,VGA,3.5MM,110,SET,1.5U,W
IM15311015BK	BLACK	ISTATION MOD,VGA,3.5MM,110,SET,1.5U,BK
IM15311015EI	ELECTRIC IVORY	ISTATION MOD,VGA,3.5MM,110,SET,1.5U,EI
IM15311015GY	GRAY	ISTATION MOD,VGA,3.5MM,110,SET,1.5U,GY



- NOTES**
- SOLD IN CARTON INCREMENTS ONLY. CARTON CONTAINS 1 SET OF MODULES - DISPLAY & PC (INDIVIDUALLY BAGGED), (4) STUFFER CAPS, INSTRUCTION SHEET AND 1 TERMINATION AID
 - FOLLOW COLOR CODING ON IDC TOWERS WHEN LACING/TERMINATING THE UTP CABLE.
 - SPECIFICATIONS SUBJECT TO CHANGE WITHOUT NOTICE.

Label
SCALE 2:1

Created in AUTOCAD	DIMENSIONING AND TOLERANCE PER ANSI Y14.5M-1982 UNLESS OTHERWISE SPECIFIED, DIMENSIONS ARE IN INCHES (MM). TOLERANCES .XX = ±0.01 (25) .XXX = ±0.005 (.127) .XXXX = ±0.0025 (.0635) ANGLE TOL ±1°	PROJECT REFERENCE:	Hubbell Premise Wiring HUBBELL INCORPORATED (Delaware) 23 CLARA DRIVE, SUITE 103 MYSTIC, CT 06355									
	IN ACCEPTING OUR DRAWINGS, BLUEPRINTS, OR SUPPORTING DOCUMENTATION FOR QUOTATION OR OTHER PURPOSES, YOU AGREE NOT TO DISCLOSE TO OTHERS THE IDEAS, INFORMATION, OR DESIGNS SHOWN HEREIN, AND THAT YOU WILL MAKE NO USE OF SAME WITHOUT PERMISSION	MATERIAL:		TITLE: VGA MULTIMEDIA 110 PUNCHDOWN ISTATION MODULE								
REV.	ECN	DATE	DESCRIPTION	CHG BY	APPD BY	DRAWN BY: D. PECK 8/8/13	CHECKED BY:	APPROVED BY:	SIZE: C	DRAWING NO.: HWS14350C	REV.:	B
									SCALE: N/A	SHEET: 1 OF 1		