

6

5

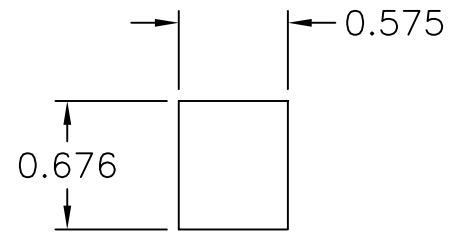
4

3

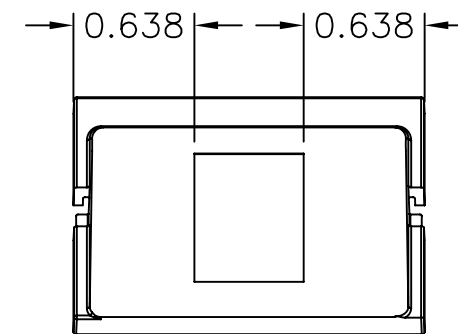
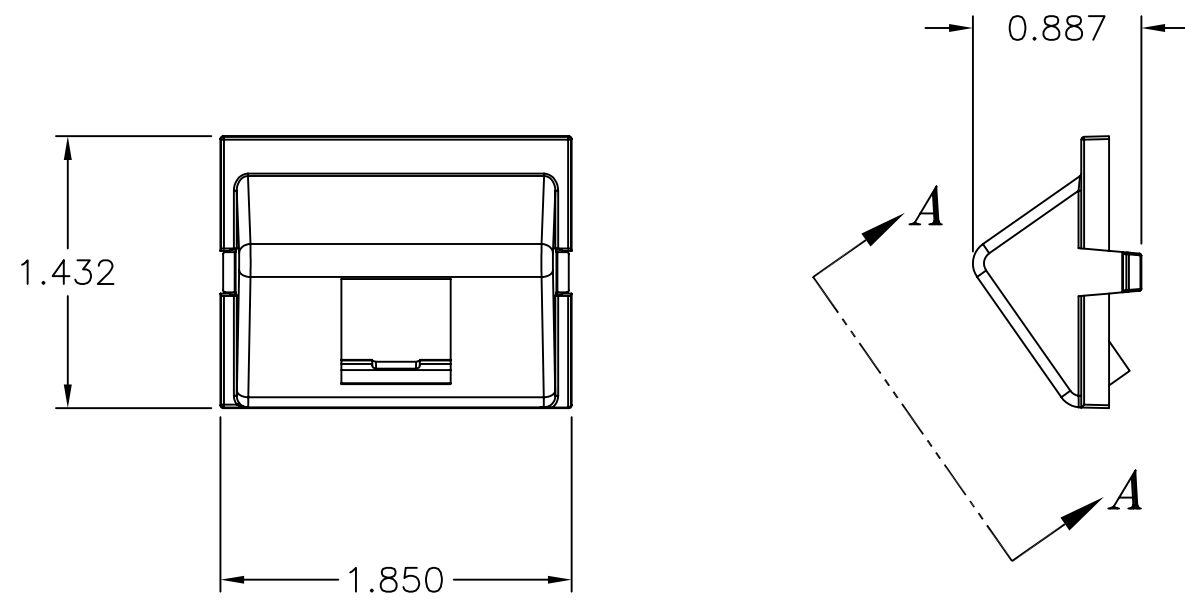
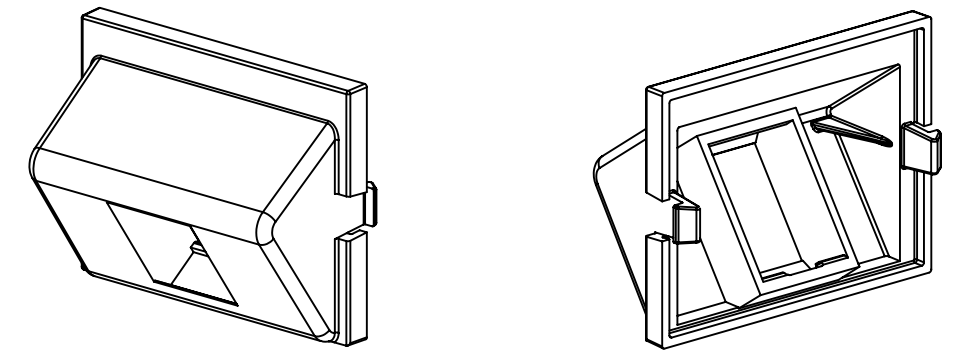
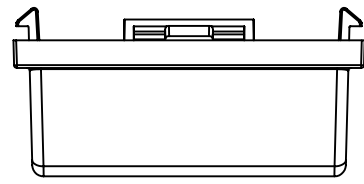
2

1

CATALOG NUMBER	COLOR	DESCRIPTION
IM1KA15W	WHITE	MODULE, ANGLED 1.5U 1 PORT
IM1KA15OW	OFFICE WHITE	MODULE, ANGLED 1.5U 1 PORT
IM1KA15EI	ELECTRIC IVORY	MODULE, ANGLED 1.5U 1 PORT
IM1KA15GY	GRAY	MODULE, ANGLED 1.5U 1 PORT
IM1KA15BK	BLACK	MODULE, ANGLED 1.5U 1 PORT
IM1KA15TI	TELCO IVORY	MODULE, ANGLED 1.5U 1 PORT
IM1KA15AL	ALMOND	MODULE, ANGLED 1.5U 1 PORT



KEYSTONE OPENING




VIEW "A-A"

NOTES

UNLESS OTHERWISE SPECIFIED:

- 1. C-UL-US LISTED: E129878
- 2. SPECIFICATIONS SUBJECT TO CHANGE WITHOUT NOTICE

REV.	ECN	DATE	DESCRIPTION	CHG BY	APPD BY
B	5680	8/22/05	ADDED -AL CATALOG NUMBER	CD	
A	4148	02/23/01	INITIAL RELEASE	PSM	HKM

Created on AUTOCAD	DIMENSIONING AND TOLERANCE PER ANSI Y14.5M-1982 UNLESS OTHERWISE SPECIFIED, DIMENSIONS ARE IN INCHES (MM). TOLERANCES .XX = ±.01 (.25) .XXX = ±.005 (.127) .XXXX = ±.0025 (.0635) ANGLE TOL ±1°		PROJECT REFERENCE:		 Hubbell Premise Wiring HUBBELL INCORPORATED (Delaware) 14 Lord's Hill Road, Stonington, Connecticut 06378
	IN ACCEPTING OUR DRAWINGS, BLUEPRINTS, OR SUPPORTING DOCUMENTATION FOR QUOTATION OR OTHER PURPOSES, YOU AGREE NOT TO DISCLOSE TO OTHERS THE IDEAS, INFORMATION, OR DESIGNS SHOWN HEREIN, AND THAT YOU WILL MAKE NO USE OF SAME WITHOUT PERMISSION		MATERIAL:		
			DRAWN BY: P.S.MAGUIRE 02/23/2001		TITLE: INFINE STATION MODULE 1-PORT, ANGLED 1.5U
			CHECKED BY: H. McGREGOR 02/28/2001		SIZE: C DRAWING NO. C778788 REV. B
		APPROVED BY: H. McGREGOR 02/28/2001		SCALE: FULL SHEET 1 OF 1	