

6

5

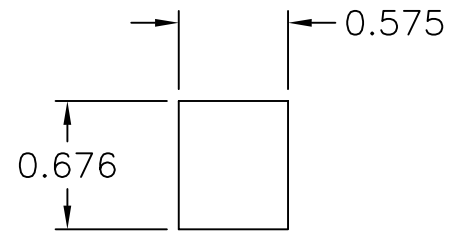
4

3

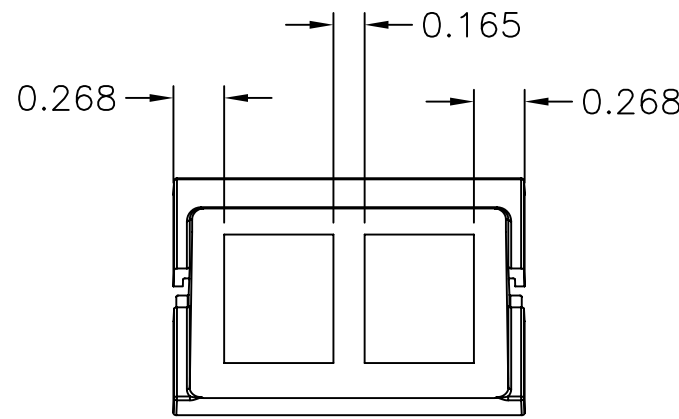
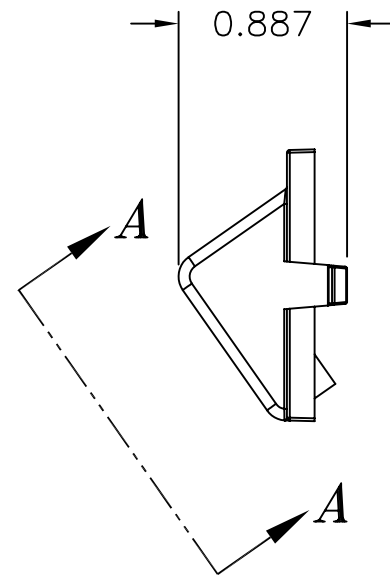
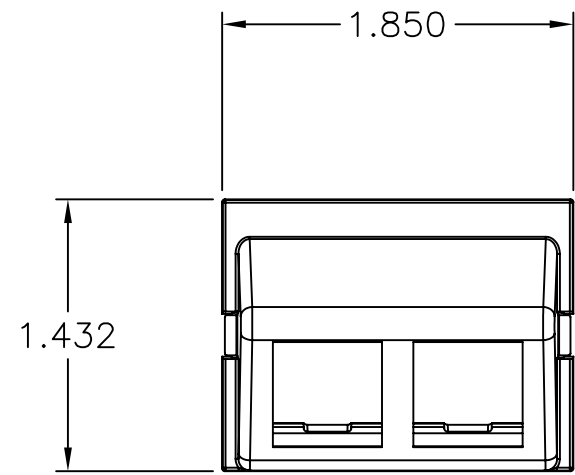
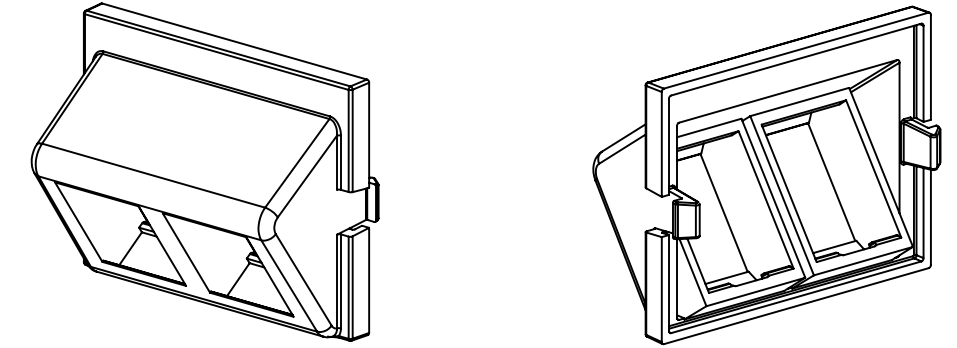
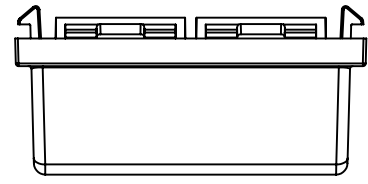
2

1

CATALOG NUMBER	COLOR	DESCRIPTION
IM2KA15W	WHITE	MODULE, ANGLED 1.5U 2 PORT
IM2KA15OW	OFFICE WHITE	MODULE, ANGLED 1.5U 2 PORT
IM2KA15EI	ELECTRIC IVORY	MODULE, ANGLED 1.5U 2 PORT
IM2KA15GY	GRAY	MODULE, ANGLED 1.5U 2 PORT
IM2KA15BK	BLACK	MODULE, ANGLED 1.5U 2 PORT
IM2KA15TI	TELCO IVORY	MODULE, ANGLED 1.5U 2 PORT
IM2KA15AL	ALMOND	MODULE, ANGLED 1.5U 2 PORT



KEYSTONE OPENING



VIEW "A-A"

NOTES

UNLESS OTHERWISE SPECIFIED:

- 1. C-UL-US LISTED: E129878
- 2. SPECIFICATIONS SUBJECT TO CHANGE WITHOUT NOTICE

Created on AUTOCAD

DIMENSIONING AND TOLERANCE PER ANSI Y14.5M-1982 UNLESS OTHERWISE SPECIFIED, DIMENSIONS ARE IN INCHES (MM).  
 TOLERANCES  
 .XX = ±.01 (.25)  
 .XXX = ±.005 (.127)  
 .XXXX = ±.0025 (.0635)  
 ANGLE TOL ±1°

IN ACCEPTING OUR DRAWINGS, BLUEPRINTS, OR SUPPORTING DOCUMENTATION FOR QUOTATION OR OTHER PURPOSES, YOU AGREE NOT TO DISCLOSE TO OTHERS THE IDEAS, INFORMATION, OR DESIGNS SHOWN HEREIN, AND THAT YOU WILL MAKE NO USE OF SAME WITHOUT PERMISSION

PROJECT REFERENCE:

MATERIAL:

DRAWN BY:

P.S.MAGUIRE 02/23/2001

CHECKED BY:

H. McGREGOR 02/28/2001

APPROVED BY:

H. McGREGOR 02/28/2001



**Hubbell Premise Wiring**  
 HUBBELL INCORPORATED (Delaware)  
 14 Lord's Hill Road, Stonington, Connecticut 06378

TITLE: **INFINE STATION MODULE**  
**2-PORT, ANGLED**  
**1.5U**

SIZE **C**

DRAWING NO. **C778789**

REV. **B**

SCALE: **FULL**

SHEET **1** OF **1**

REV.	ECN	DATE	DESCRIPTION	CHG BY	APPD BY
B	5680	8/22/05	ADDED -AL CATALOG NUMBER	CD	
A	4148	02/23/01	INITIAL RELEASE	PSM	HKM