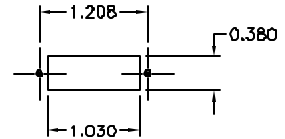
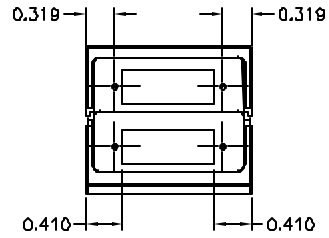
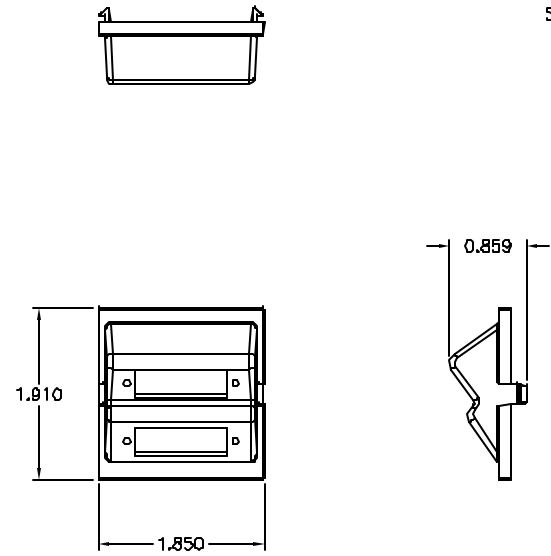
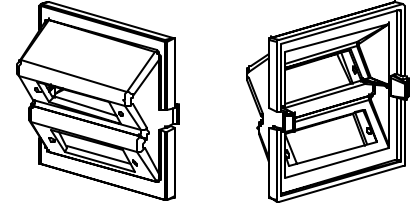



CATALOG NUMBER	COLOR	DESCRIPTION
IM2SCA2W	WHITE	MODULE, ANGLED 2U 2SC
IM2SCA2OW	OFFICE WHITE	MODULE, ANGLED 2U 2SC
IM2SCA2EI	ELECTRIC IVORY	MODULE, ANGLED 2U 2SC
IM2SCA2GY	GRAY	MODULE, ANGLED 2U 2SC
IM2SCA2BK	BLACK	MODULE, ANGLED 2U 2SC
IM2SCA2TI	TELCO IVORY	MODULE, ANGLED 2U 2SC



STANDARD SC DUPLEX OPENING



- NOTES**  
UNLESS OTHERWISE SPECIFIED:
- C-UL-US LISTED: E129878
  - SPECIFICATIONS SUBJECT TO CHANGE WITHOUT NOTICE

Created or Autocad	DIMENSIONING AND TOLERANCE PER ANSI Y14.5M-1982 UNLESS OTHERWISE SPECIFIED, DIMENSIONS ARE IN INCHES (MM). TOLERANCES .XX = ±.01 (.25) .XXX = ±.005 (.127) XXXX = ±.0025 (.0635) ANGLE: TEL 25°		PROJECT REFERENCE:		 Hubbell Premise Wiring HUBBELL INCORPORATED (Delaware) 14 Lord's Hill Road, Stonington, Connecticut 06378
	IN ACCEPTING OUR DRAWINGS, BLUEPRINTS, OR SUPPORTING DOCUMENTATION FOR QUOTATION OR OTHER PURPOSES, YOU AGREE NOT TO DISCLOSE TO OTHERS THE IDEAS, INFORMATION, OR DESIGNS SHOWN HEREIN, AND THAT YOU WILL MAKE NO USE OF SAME WITHOUT PERMISSION.		MATERIAL:		
			DRAWN BY: P.S.MACQUIRE 02/23/2001		TITLE: INFINE STATION MODULE ANGLED 2U 2SC
			CHECKED BY: H. MCGREGOR 02/28/2001		SIZE: DRAWING NO. C C778791
		APPROVED BY: H. MCGREGOR 02/28/2001		REV. A	
		SCALE: FULL		SHEET 1 OF 1	

REV.	ECN	DATE	DESCRIPTION	CHG BY	APPD BY
A	4148	02/23/01	INITIAL RELEASE	PSM	HKM