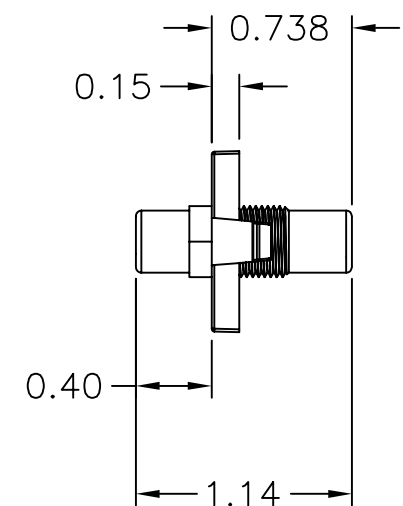
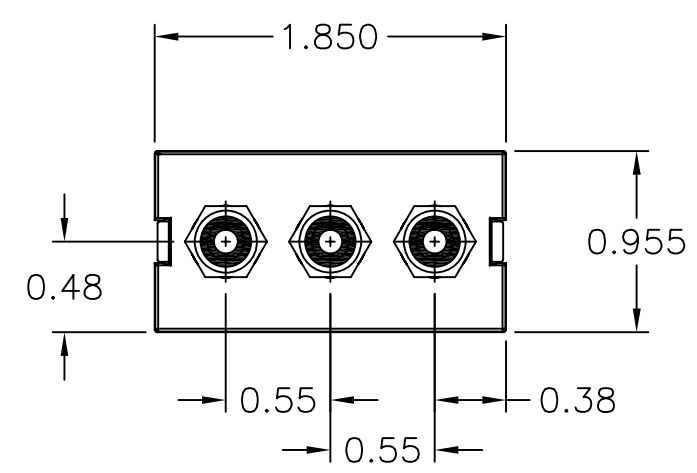
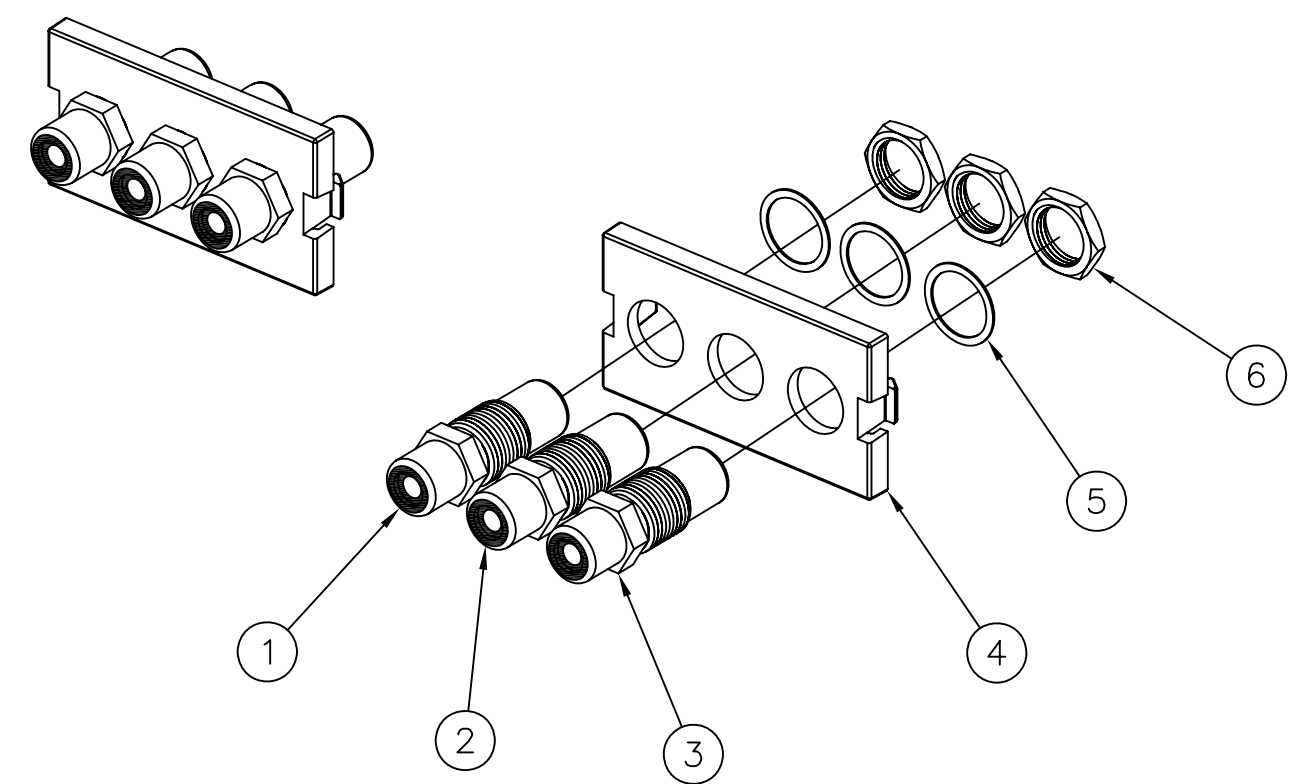
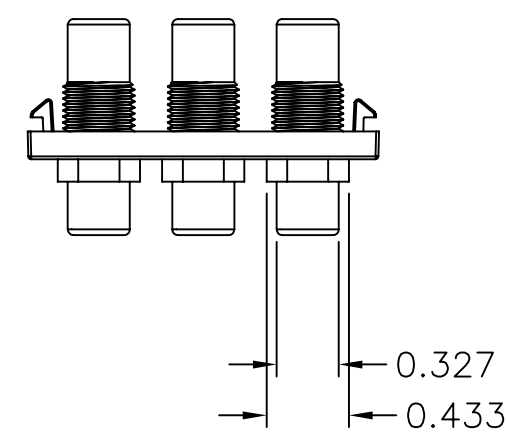



ITEM NO.	DESCRIPTION	QTY.
1	RCA PASS THROUGH CONNECTOR YELLOW	1
2	RCA PASS THROUGH CONNECTOR RED	1
3	RCA PASS THROUGH CONNECTOR WHITE	1
4	3 RCA 1U PASS THROUGH MODULE	1
5	WASHER	3
6	NUT	3

CATALOG NUMBER	COLOR	DESCRIPTION
IM3RF1OW	OFFICE WHITE	RCA A/V GOLD F/F FEED THROUGH MODULE
IM3RF1W	WHITE	RCA A/V GOLD F/F FEED THROUGH MODULE
IM3RF1GY	GRAY	RCA A/V GOLD F/F FEED THROUGH MODULE
IM3RF1BK	BLACK	RCA A/V GOLD F/F FEED THROUGH MODULE
IM3RF1TI	TELCO IVORY	RCA A/V GOLD F/F FEED THROUGH MODULE
IM3RF1EI	ELECTRIC IVORY	RCA A/V GOLD F/F FEED THROUGH MODULE
IM3RF1AL	ALMOND	RCA A/V GOLD F/F FEED THROUGH MODULE
IM3RF1LA	LIGHT ALMOND	RCA A/V GOLD F/F FEED THROUGH MODULE



- NOTES  
UNLESS OTHERWISE SPECIFIED:
- SOLD IN CARTON INCREMENTS ONLY. CARTON CONTAINS 25 MODULES (INDIVIDUALLY BAGGED).
  - GOLD PLATED FEED THROUGH TYPE RCA CONNECTORS
  - COLOR REFERS TO THE 1U MODULE ADAPTER.
  - SPECIFICATIONS SUBJECT TO CHANGE WITHOUT NOTICE.

Created on AUTOCAD	DIMENSIONING AND TOLERANCE PER ANSI Y14.5M-1982 UNLESS OTHERWISE SPECIFIED, DIMENSIONS ARE IN INCHES (MM). TOLERANCES .XX = ±.01 (.25) .XXX = ±.005 (.127) .XXXX = ±.0025 (.0635) ANGLE TOL ±1°	PROJECT REFERENCE:
	IN ACCEPTING OUR DRAWINGS, BLUEPRINTS, OR SUPPORTING DOCUMENTATION FOR QUOTATION OR OTHER PURPOSES, YOU AGREE NOT TO DISCLOSE TO OTHERS THE IDEAS, INFORMATION, OR DESIGNS SHOWN HEREIN, AND THAT YOU WILL MAKE NO USE OF SAME WITHOUT PERMISSION	MATERIAL:
		DRAWN BY: PAUL S. MAGUIRE 10/29/02
		CHECKED BY: GLENN KIERSTEAD 11/06/02
	APPROVED BY: GLENN KIERSTEAD 11/06/02	

 <b>Hubbell Premise Wiring</b> HUBBELL INCORPORATED (Delaware) 14 Lord's Hill Road, Stonington, Connecticut 06378	
TITLE: JACKS/CONNECTORS MULTIMEDIA SNAP FIT CONNECTORS ASSEMBLY, RCA A/V GOLD F/F FEED THROUGH MODULE	
SIZE: <b>C</b>	DRAWING NO.: <b>C11832</b>
SCALE: 1/1	SHEET 1 OF 1
REV. <b>C</b>	

REV.	ECN	DATE	DESCRIPTION	CHG BY	APPD BY
C	5994	11/08/06	ADDED ALMOND AND LIGHT ALMOND CATALOGS	CG	