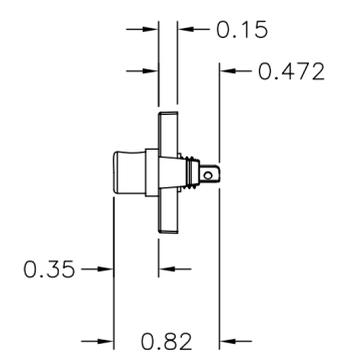
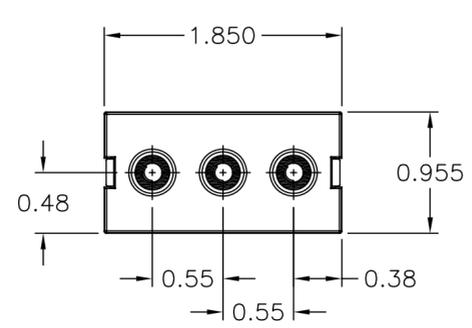
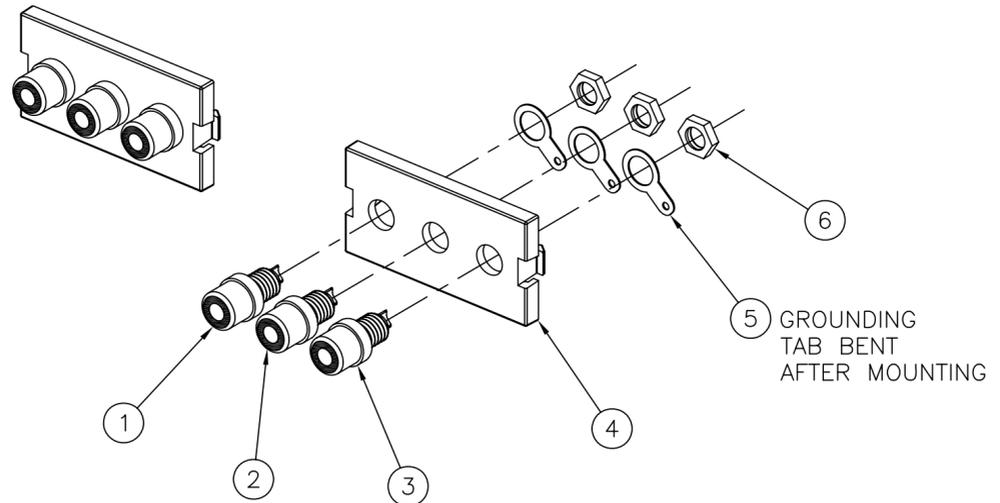
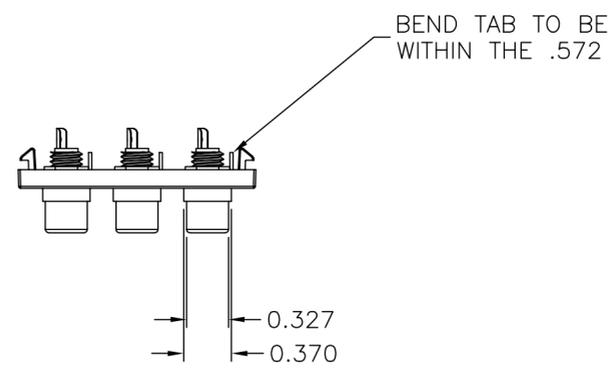


ITEM NO.	DESCRIPTION	QTY.
1	RCA CONNECTOR YELLOW	1
2	RCA CONNECTOR RED	1
3	RCA CONNECTOR WHITE	1
4	3 RCA 1U MODULE	1
5	GROUNDING WASHER	3
6	NUT	3

CATALOG NUMBER	COLOR	DESCRIPTION
IM3RS1OW	OFFICE WHITE	RCA A/V SOLDER TYPE MODULE
IM3RS1W	WHITE	RCA A/V SOLDER TYPE MODULE
IM3RS1GY	GRAY	RCA A/V SOLDER TYPE MODULE
IM3RS1BK	BLACK	RCA A/V SOLDER TYPE MODULE
IM3RS1TI	TELCO IVORY	RCA A/V SOLDER TYPE MODULE
IM3RS1EI	ELECTRIC IVORY	RCA A/V SOLDER TYPE MODULE
IM3RS1AL	ALMOND	RCA A/V SOLDER TYPE MODULE
IM3RS1LA	LIGHT ALMOND	RCA A/V SOLDER TYPE MODULE



- NOTES
UNLESS OTHERWISE SPECIFIED:
- SOLD IN CARTON INCREMENTS ONLY. CARTON CONTAINS 25 MODULES (INDIVIDUALLY BAGGED).
 - SOLDER TYPE RCA CONNECTORS
 - COLOR REFERS TO THE 1U MODULE ADAPTER NOT THE RCA CONNECTORS.
 - SPECIFICATIONS SUBJECT TO CHANGE WITHOUT NOTICE.

Created on AUTOCAD	DIMENSIONING AND TOLERANCE PER ANSI Y14.5M-1982 UNLESS OTHERWISE SPECIFIED, DIMENSIONS ARE IN INCHES (MM). TOLERANCES .XX = ±.01 (.25) .XXX = ±.005 (.127) .XXXX = ±.0025 (.0635) ANGLE TOL ±1°		PROJECT REFERENCE:		 Hubbell Premise Wiring HUBBELL INCORPORATED (Delaware) 14 Lord's Hill Road, Stonington, Connecticut 06378	
	IN ACCEPTING OUR DRAWINGS, BLUEPRINTS, OR SUPPORTING DOCUMENTATION FOR QUOTATION OR OTHER PURPOSES, YOU AGREE NOT TO DISCLOSE TO OTHERS THE IDEAS, INFORMATION, OR DESIGNS SHOWN HEREIN, AND THAT YOU WILL MAKE NO USE OF SAME WITHOUT PERMISSION		MATERIAL:			
			DRAWN BY: PAUL S. MAGUIRE 10/29/02		TITLE: JACKS/CONNECTORS MULTIMEDIA SNAP FIT CONNECTORS ASSEMBLY, RCA A/V SOLDER TYPE MODULE	
			CHECKED BY: GLENN KIERSTEAD 11/06/02		SIZE: C DRAWING NO. C11831 REV. C	
		APPROVED BY: GLENN KIERSTEAD 11/06/02		SCALE: 1/1 SHEET 1 OF 1		

REV.	ECN	DATE	DESCRIPTION	CHG BY	APPD BY
C	5994	11/08/06	ADDED ALMOND AND LIGHT ALMOND CATALOGS	CG	