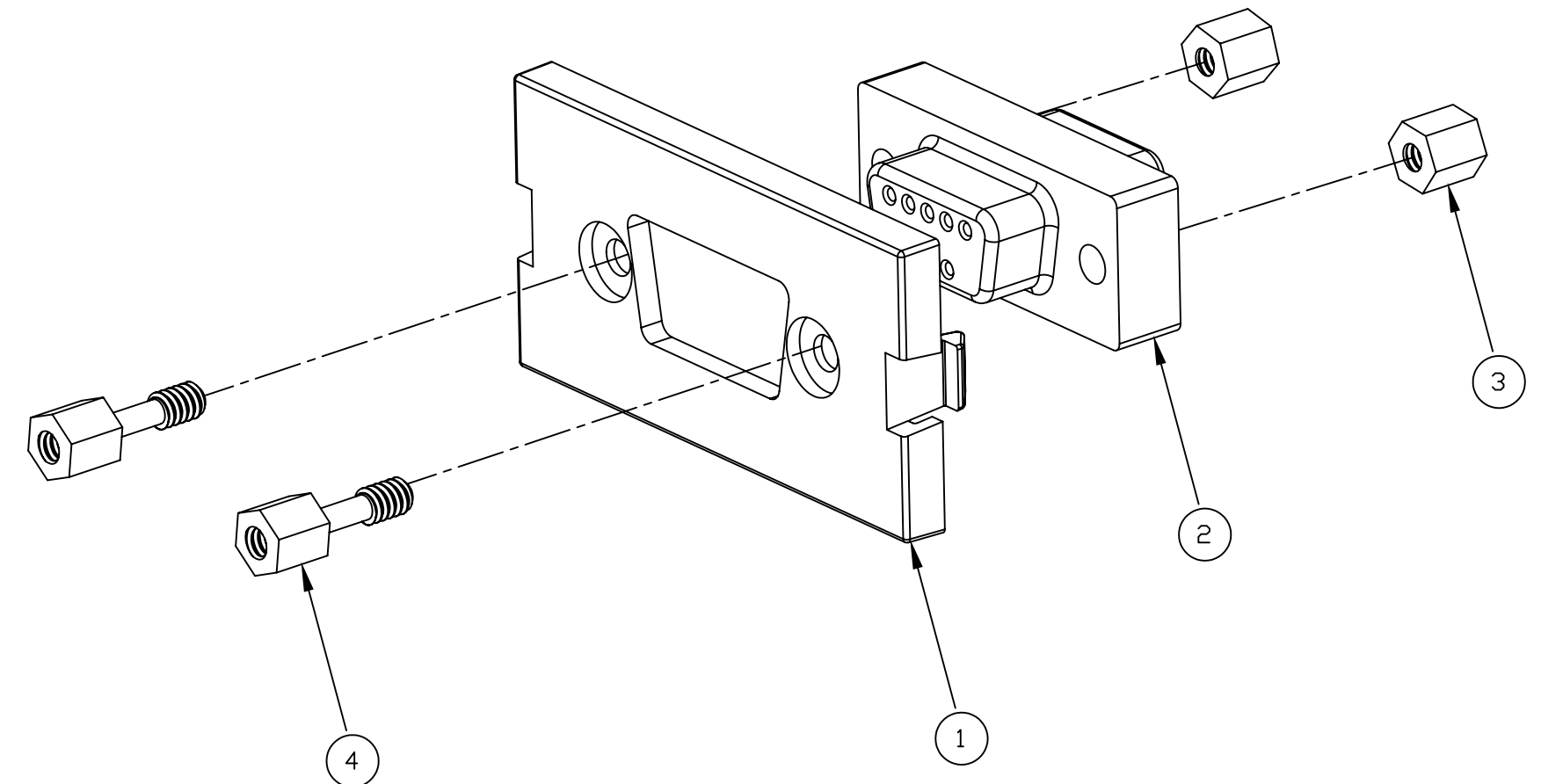
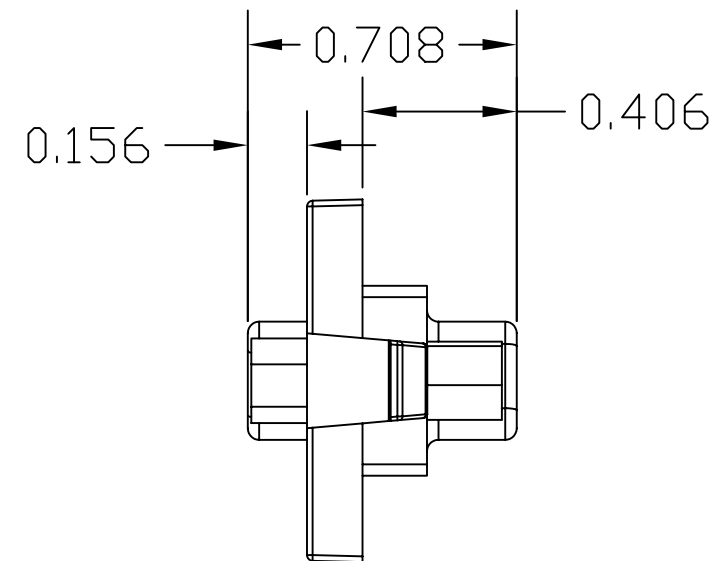
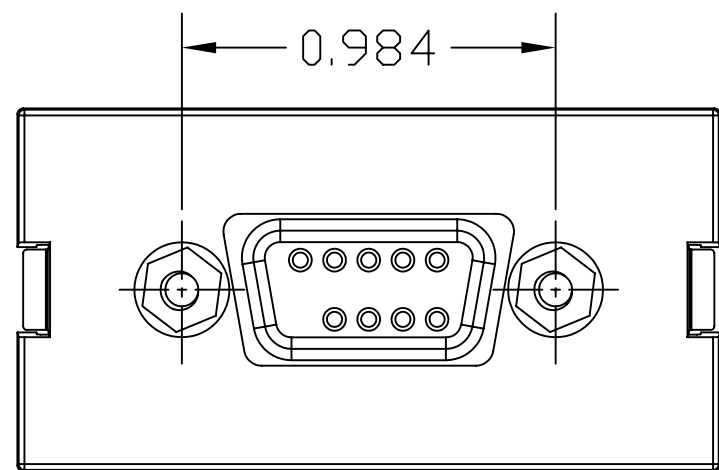
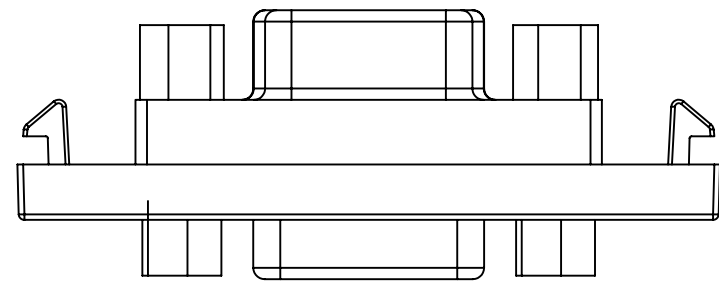


ITEM NO.	DESCRIPTION	QTY.
1	INFIN-E-STATION 1U D-SUB MODULE	1
2	SVGA 15 PIN SCREW TERMINATION D-SUB	1
3	4-40 THREADED STUD/NUT	2
4	INSTRUCTION SHEET	1


CATALOG NUMBER	COLOR	DESCRIPTION
IM9DIN1OW	OFFICE WHITE	SVGA 9 PIN F/F GENDER CHANGER D-SUB
IM9DIN1W	WHITE	SVGA 9 PIN F/F GENDER CHANGER D-SUB
IM9DIN1GY	GRAY	SVGA 9 PIN F/F GENDER CHANGER D-SUB
IM9DIN1BK	BLACK	SVGA 9 PIN F/F GENDER CHANGER D-SUB
IM9DIN1TI	TELCO IVORY	SVGA 9 PIN F/F GENDER CHANGER D-SUB
IM9DIN1EI	ELECTRIC IVORY	SVGA 9 PIN F/F GENDER CHANGER D-SUB



NOTES

UNLESS OTHERWISE SPECIFIED:

- SOLD IN CARTON INCREMENTS ONLY. CARTON CONTAINS 25 MODULES (INDIVIDUALLY BAGGED).
- COLOR REFERS TO THE INFIN-E-STATION 1U MODULE NOT THE D-SUB CONNECTOR.
- CATALOG NUMBERS DENOTES THE NUMBER OF PINS IN D-SUB AND THE SIZE OF INFIN-E-STATION MODULE.
- ITEM NO.4 77336901 NOT SHOWN.
- SPECIFICATIONS SUBJECT TO CHANGE WITHOUT NOTICE.

Created on AUTOCAD	DIMENSIONING AND TOLERANCE PER ANSI Y14.5M-1982 UNLESS OTHERWISE SPECIFIED, DIMENSIONS ARE IN INCHES (MM). TOLERANCES .XX = ±.01 (.25) .XXX = ±.005 (.127) .XXXX = ±.0025 (.0635) ANGLE TOL ±1°		PROJECT REFERENCE:		 Hubbell Premise Wiring HUBBELL INCORPORATED (Delaware) 14 Lord's Hill Road, Stonington, Connecticut 06378
	IN ACCEPTING OUR DRAWINGS, BLUEPRINTS, OR SUPPORTING DOCUMENTATION FOR QUOTATION OR OTHER PURPOSES, YOU AGREE NOT TO DISCLOSE TO OTHERS THE IDEAS, INFORMATION, OR DESIGNS SHOWN HEREIN, AND THAT YOU WILL MAKE NO USE OF SAME WITHOUT PERMISSION		MATERIAL:		
			DRAWN BY: C. GRIBBLE 9/23/03		TITLE: JACKS & CONNECTORS SNAP FIT MODULES SVGA 9 PIN F/F GENDER CHANGER D-SUB
			CHECKED BY:		SIZE: C DRAWING NO. C11892 REV. A
		APPROVED BY:		SCALE: 1/1 SHEET 1 OF 1	

REV.	ECN	DATE	DESCRIPTION	CHG BY	APPD BY
A	5148	9/18/03	ADDED PART NUMBERS TO TABULATION	CG	