

6

5

4

3

2

1

CATALOG NUMBER	COLOR	DESCRIPTION
IMB15W	WHITE	MODULE, STRAIGHT 1.5U BLANK
IMB15OW	OFFICE WHITE	MODULE, STRAIGHT 1.5U BLANK
IMB15EI	ELECTRIC IVORY	MODULE, STRAIGHT 1.5U BLANK
IMB15GY	GRAY	MODULE, STRAIGHT 1.5U BLANK
IMB15BK	BLACK	MODULE, STRAIGHT 1.5U BLANK
IMB15TI	TELCO IVORY	MODULE, STRAIGHT 1.5U BLANK
IMB15AL	ALMOND	MODULE, STRAIGHT 1.5U BLANK

D

D

C

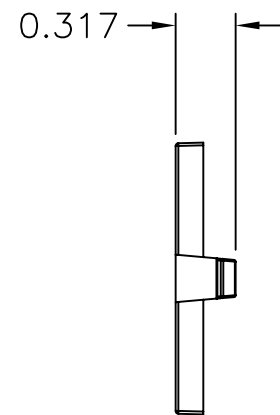
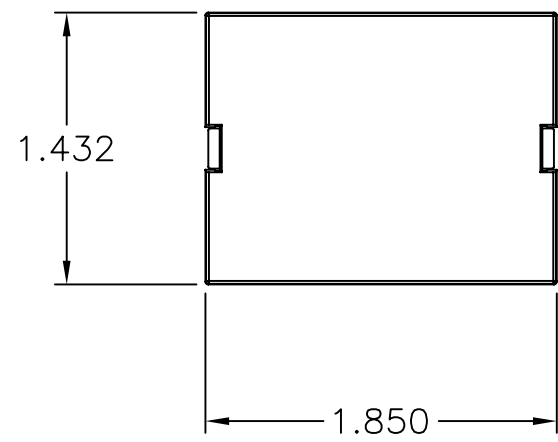
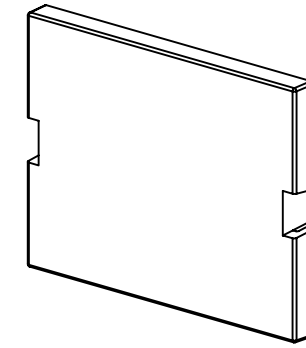
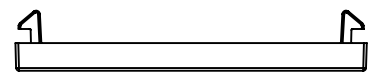
C

B

B

A


A



NOTES

UNLESS OTHERWISE SPECIFIED:

- 1. C-UL-US LISTED: E129878
- 2. SPECIFICATIONS SUBJECT TO CHANGE WITHOUT NOTICE

Created on AUTOCAD	DIMENSIONING AND TOLERANCE PER ANSI Y14.5M-1982 UNLESS OTHERWISE SPECIFIED, DIMENSIONS ARE IN INCHES (MM). TOLERANCES .XX = ±.01 (.25) .XXX = ±.005 (.127) .XXXX = ±.0025 (.0635) ANGLE TOL ±1°		PROJECT REFERENCE:		 Hubbell Premise Wiring HUBBELL INCORPORATED (Delaware) 14 Lord's Hill Road, Stonington, Connecticut 06378	
	IN ACCEPTING OUR DRAWINGS, BLUEPRINTS, OR SUPPORTING DOCUMENTATION FOR QUOTATION OR OTHER PURPOSES, YOU AGREE NOT TO DISCLOSE TO OTHERS THE IDEAS, INFORMATION, OR DESIGNS SHOWN HEREIN, AND THAT YOU WILL MAKE NO USE OF SAME WITHOUT PERMISSION		MATERIAL:			TITLE: INFINE STATION MODULE STRAIGHT, BLANK 1.5U
			DRAWN BY: P.S.MAGUIRE 02/23/2001		SIZE: C DRAWING NO.: C778785	REV.: B
			CHECKED BY: H. McGREGOR 02/28/2001		SCALE: FULL SHEET 1 OF 1	
		APPROVED BY: H. McGREGOR 02/28/2001				

REV.	ECN	DATE	DESCRIPTION	CHG BY	APPD BY
B	5680	8/22/05	ADDED -AL CATALOG NUMBER	CD	
A	4148	02/23/01	INITIAL RELEASE	PSM	HKM