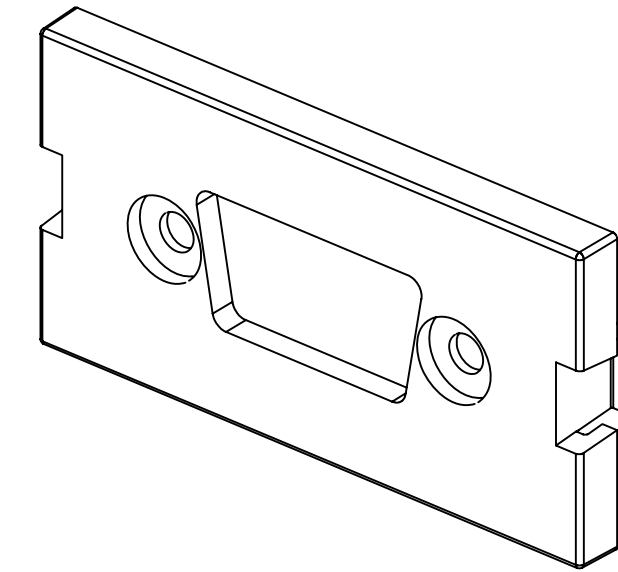
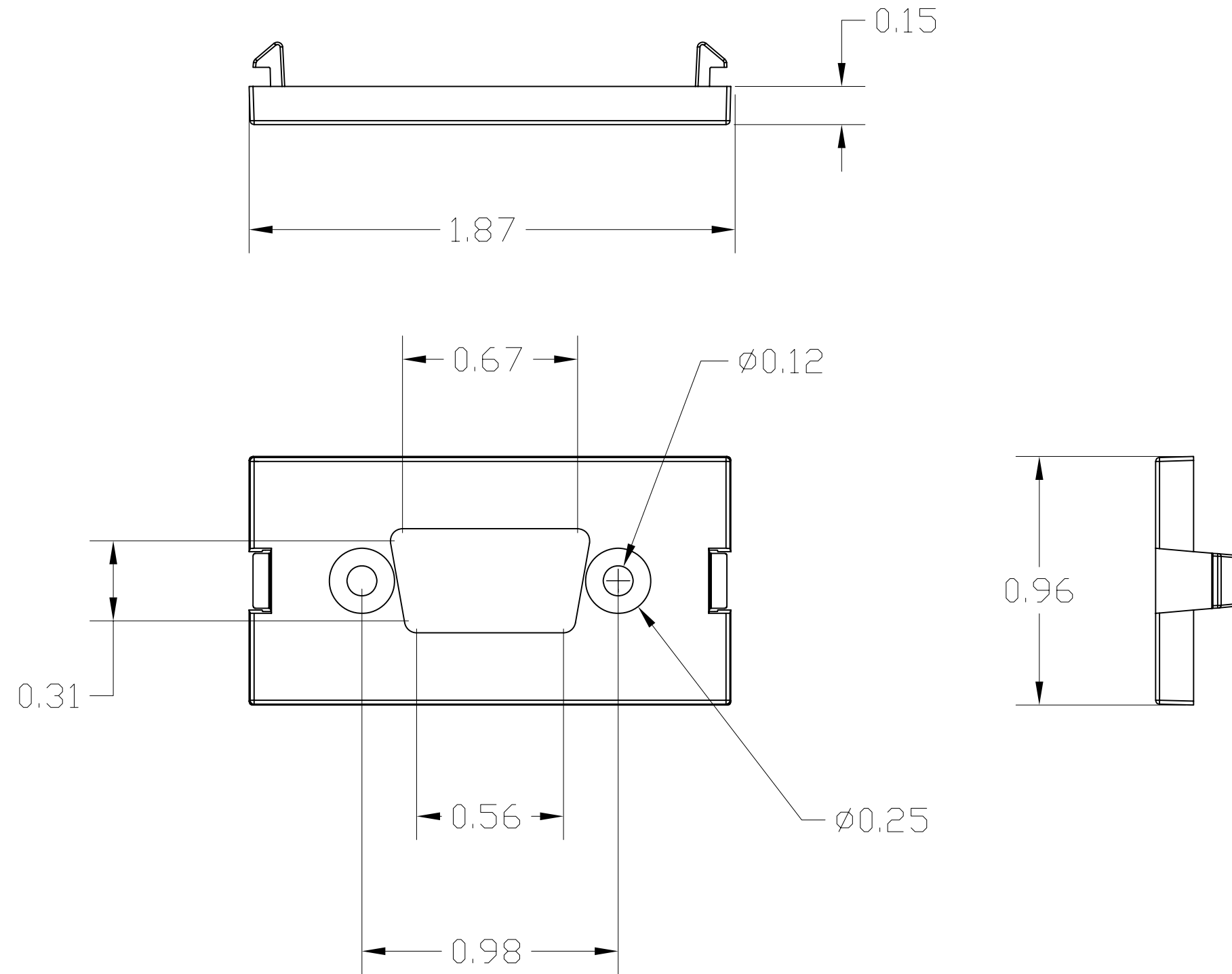


6 5 4 3 2 1

CATALOG NUMBER	HOUSING COLOR	DESCRIPTION
IMBDS1OW	OFFICE WHITE	1U BLANK D-SUB MODULE
IMBDS1W	WHITE	1U BLANK D-SUB MODULE
IMBDS1BK	BLACK	1U BLANK D-SUB MODULE
IMBDS1GY	GRAY	1U BLANK D-SUB MODULE
IMBDS1EI	IVORY	1U BLANK D-SUB MODULE
IMBDS1AL	ALMOND	1U BLANK D-SUB MODULE
IMBDS1LA	LIGHT ALMOND	1U BLANK D-SUB MODULE



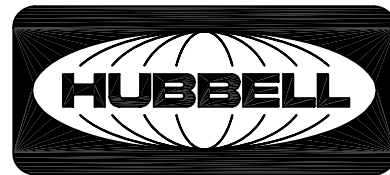
NOTES:

UNLESS OTHERWISE SPECIFIED:

1. SOLD IN PACKAGES OF 10 PIECES.

2. SPECIFICATIONS SUBJECT TO CHANGE WITHOUT NOTICE.

REV.	ECN	DATE	DESCRIPTION	CHG BY	APPD BY
C	5994	11/9/06	ADDED NEW CATALOG NUMBERS	CG	
B	5823	3/14/06	REVISED DIMENSION SCALE	CD	
A	5711	9/12/05	INITIAL RELEASE	CD	

Created on AUTOCAD	DIMENSIONING AND TOLERANCE PER ANSI Y14.5M-1982 UNLESS OTHERWISE SPECIFIED, DIMENSIONS ARE IN INCHES (MM). TOLERANCES .XX = ±.01 (.25) .XXX = ±.005 (.127) .XXXX = ±.0025 (.0635) ANGLE TOL ±1°		PROJECT REFERENCE: 2004-144		 Hubbell Premise Wiring HUBBELL INCORPORATED (Delaware) 14 Lord's Hill Road, Stonington, Connecticut 06378
	IN ACCEPTING OUR DRAWINGS, BLUEPRINTS, OR SUPPORTING DOCUMENTATION FOR QUOTATION OR OTHER PURPOSES, YOU AGREE NOT TO DISCLOSE TO OTHERS THE IDEAS, INFORMATION, OR DESIGNS SHOWN HEREIN, AND THAT YOU WILL MAKE NO USE OF SAME WITHOUT PERMISSION		MATERIAL:		
			DRAWN BY: C. DUSSAULT 9/12/05		TITLE: INFINE STATION MODULE BLANK D-SUB, STRAIGHT 1U
			CHECKED BY:		SIZE: C DRAWING NO.: C773349 REV.: C
		APPROVED BY:		SCALE: 2/1 SHEET 1 OF 1	