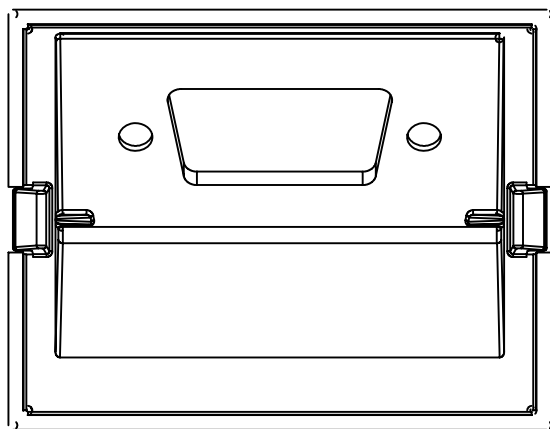
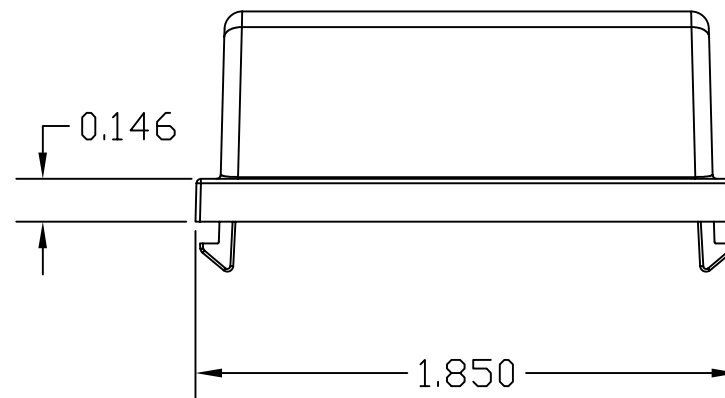
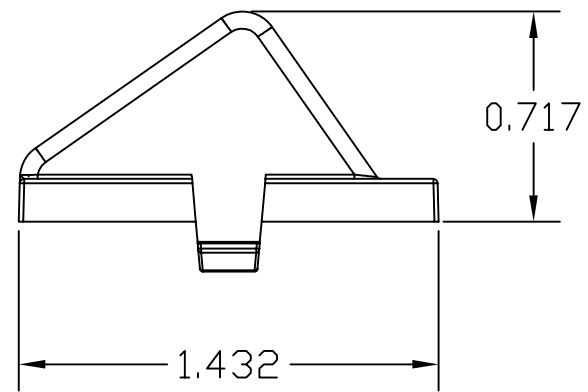
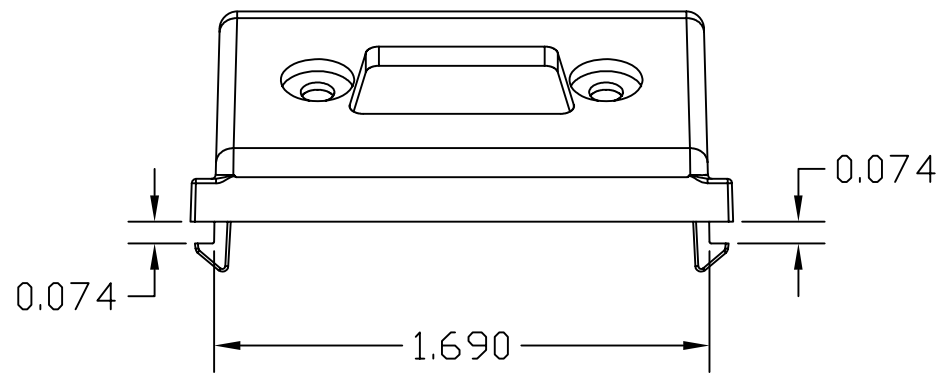
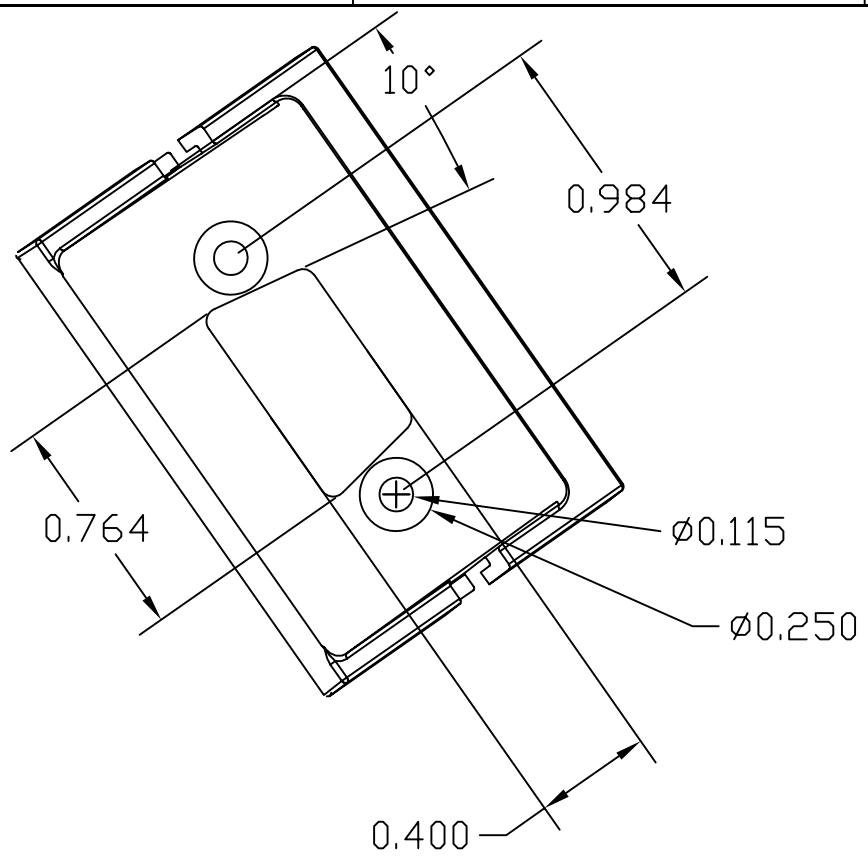


6 5 4 3 2 1

CATALOG NUMBER	COLOR	DESCRIPTION
IMBDSA15OW	OFFICE WHITE	INFINEMODULE, 1.5U, A/V ANGLED
IMBDSA15W	WHITE	INFINEMODULE, 1.5U, A/V ANGLED
IMBDSA15BK	BLACK	INFINEMODULE, 1.5U, A/V ANGLED
IMBDSA15GY	GRAY	INFINEMODULE, 1.5U, A/V ANGLED
IMBDSA15EI	ELECTRIC IVORY	INFINEMODULE, 1.5U, A/V ANGLED
IMBDSA15AL	ALMOND	INFINEMODULE, 1.5U, A/V ANGLED
IMBDSA15LA	LIGHT ALMOND	INFINEMODULE, 1.5U, A/V ANGLED



**NOTES**

1. C-UL-US CERTIFIED.
2. COMPATIBLE WITH HUBBELL 15 PIN-SVGA AND HDMI FEED THROUGH CONNECTORS.
3. SPECIFICATIONS SUBJECT TO CHANGE WITHOUT NOTICE.

Created on AUTOCAD	DIMENSIONING AND TOLERANCE PER ANSI Y14.5M-1982 UNLESS OTHERWISE SPECIFIED, DIMENSIONS ARE IN INCHES (MM). TOLERANCES .XX = ±.01 (.25) .XXX = ±.005 (.127) .XXXX = ±.0025 (.0635) ANGLE TOL ±1°		PROJECT REFERENCE: 2007-036		Hubbell Premise Wiring HUBBELL INCORPORATED (Delaware) 14 Lord's Hill Road, Stonington, Connecticut 06378
	IN ACCEPTING OUR DRAWINGS, BLUEPRINTS, OR SUPPORTING DOCUMENTATION FOR QUOTATION OR OTHER PURPOSES, YOU AGREE NOT TO DISCLOSE TO OTHERS THE IDEAS, INFORMATION, OR DESIGNS SHOWN HEREIN, AND THAT YOU WILL MAKE NO USE OF SAME WITHOUT PERMISSION		MATERIAL: ABS		
		DRAWN BY: D.O'CONNOR 9/24/07		SIZE: C DRAWING NO. HWS12570C	
		CHECKED BY:		REV. A	
		APPROVED BY:		SCALE: 2 TO 1 SHEET 1 OF 1	

REV.	ECN	DATE	DESCRIPTION	CHG BY	APPD BY
A	6144	9/24/07	INITIAL RELEASE	DPO	