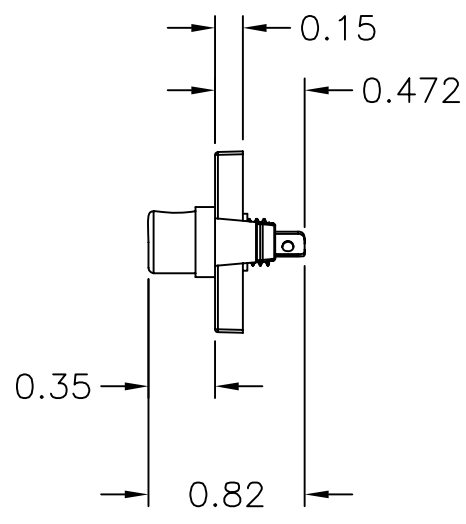
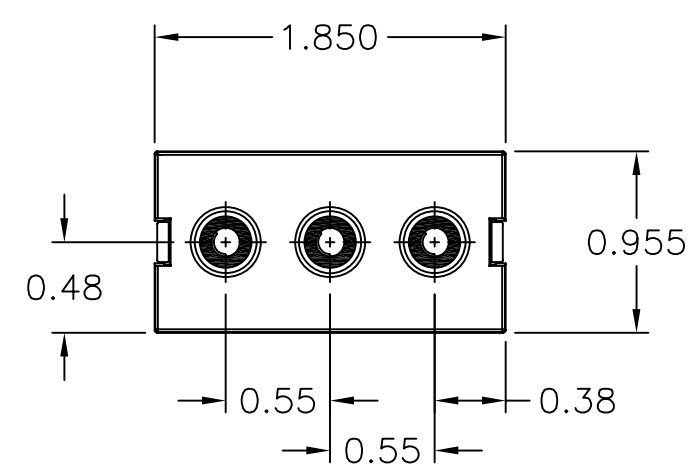
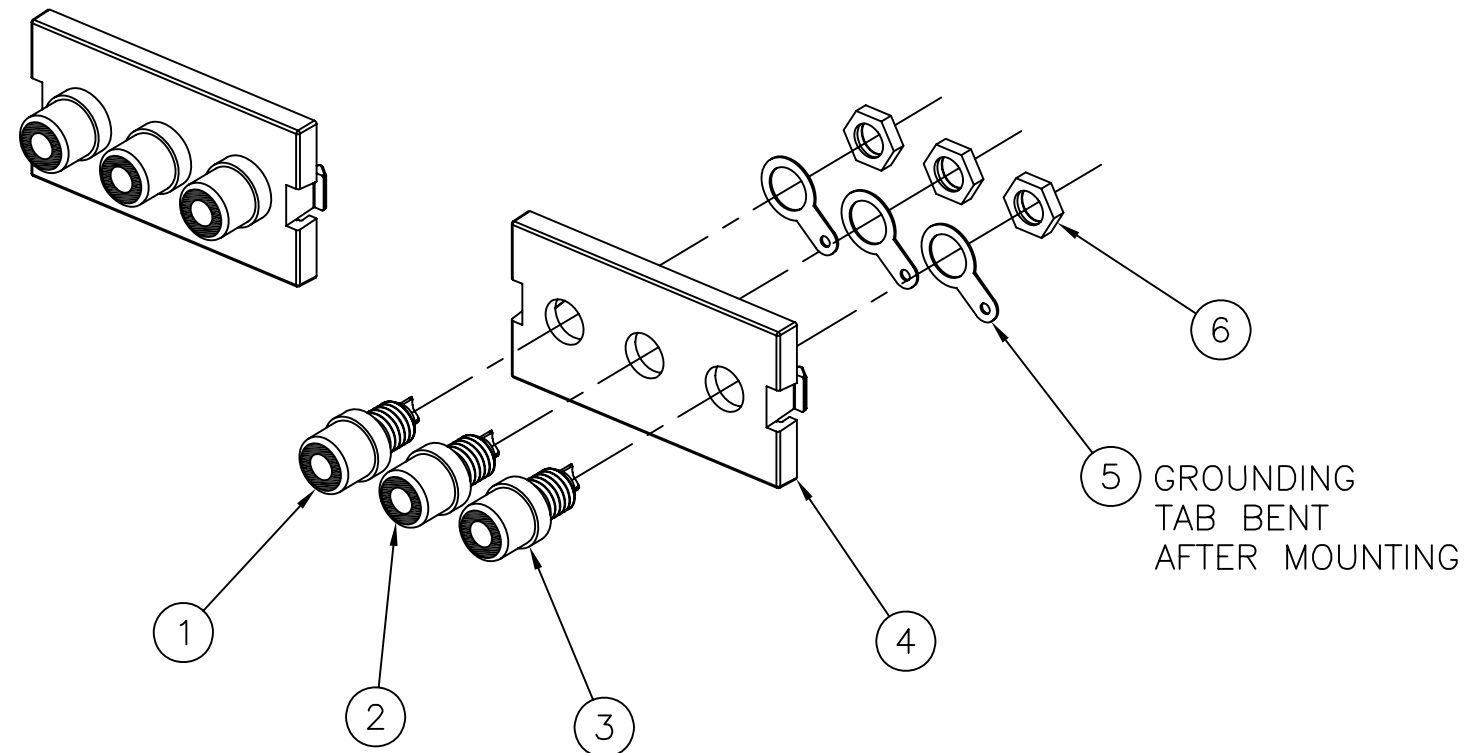
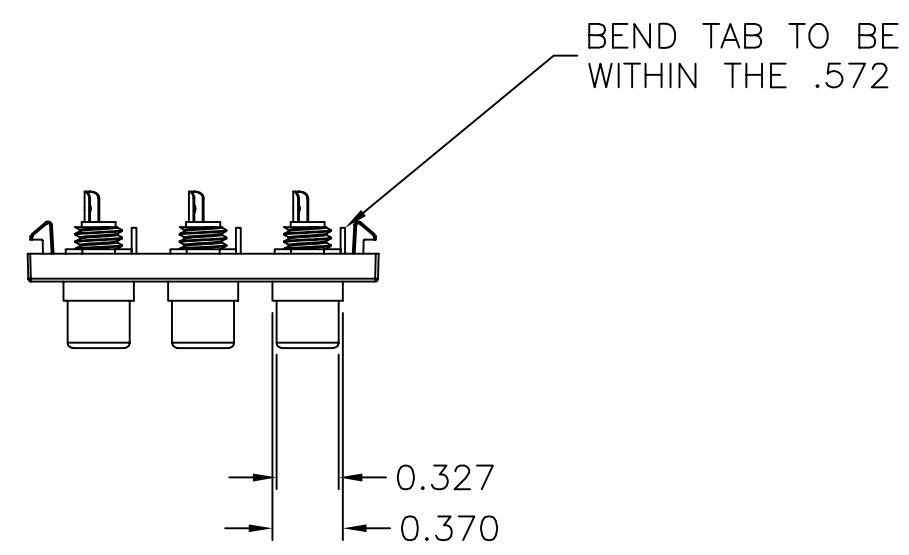



ITEM NO.	DESCRIPTION	QTY.
1	RCA CONNECTOR, RED	1
2	RCA CONNECTOR, BLUE	1
3	RCA CONNECTOR, GREEN	1
4	3 RCA 1U MODULE	1
5	GROUNDING WASHER	3
6	NUT	3

CATALOG NUMBER	COLOR	DESCRIPTION
IMCRS1OW	OFFICE WHITE	COMPONENT VIDEO SOLDER TERMINATION MODULE
IMCRS1W	WHITE	COMPONENT VIDEO SOLDER TERMINATION MODULE
IMCRS1BK	BLACK	COMPONENT VIDEO SOLDER TERMINATION MODULE
IMCRS1GY	GRAY	COMPONENT VIDEO SOLDER TERMINATION MODULE
IMCRS1EI	IVORY	COMPONENT VIDEO SOLDER TERMINATION MODULE
IMCRS1AL	ALMOND	COMPONENT VIDEO SOLDER TERMINATION MODULE
IMCRS1LA	LIGHT ALMOND	COMPONENT VIDEO SOLDER TERMINATION MODULE



- NOTES
UNLESS OTHERWISE SPECIFIED:
- SOLD IN CARTON INCREMENTS ONLY. CARTON CONTAINS 25 MODULES (INDIVIDUALLY BAGGED).
 - SOLDER TYPE RCA CONNECTORS
 - COLOR REFERS TO THE 1U MODULE ADAPTER NOT THE RCA CONNECTORS.
 - SPECIFICATIONS SUBJECT TO CHANGE WITHOUT NOTICE.

Created on AUTOCAD	DIMENSIONING AND TOLERANCE PER ANSI Y14.5M-1982 UNLESS OTHERWISE SPECIFIED, DIMENSIONS ARE IN INCHES (MM). TOLERANCES .XX = ±.01 (.25) .XXX = ±.005 (.127) .XXXX = ±.0025 (.0635) ANGLE TOL ±1°		PROJECT REFERENCE:		 Hubbell Premise Wiring HUBBELL INCORPORATED (Delaware) 14 Lord's Hill Road, Stonington, Connecticut 06378		
	IN ACCEPTING OUR DRAWINGS, BLUEPRINTS, OR SUPPORTING DOCUMENTATION FOR QUOTATION OR OTHER PURPOSES, YOU AGREE NOT TO DISCLOSE TO OTHERS THE IDEAS, INFORMATION, OR DESIGNS SHOWN HEREIN, AND THAT YOU WILL MAKE NO USE OF SAME WITHOUT PERMISSION		MATERIAL:			TITLE: INFIneSTATION COMPONENT VIDEO MODULE RCA A/V SOLDER TYPE MODULE	
			DRAWN BY: C. GRIBBLE 11/9/06		SIZE: C	DRAWING NO. HWS12478C	REV. A
			CHECKED BY:		SCALE: 1/1 SHEET 1 OF 1		

REV.	ECN	DATE	DESCRIPTION	CHG BY	APPD BY
A	5994	11/09/06	INITIAL RELEASE	CG	