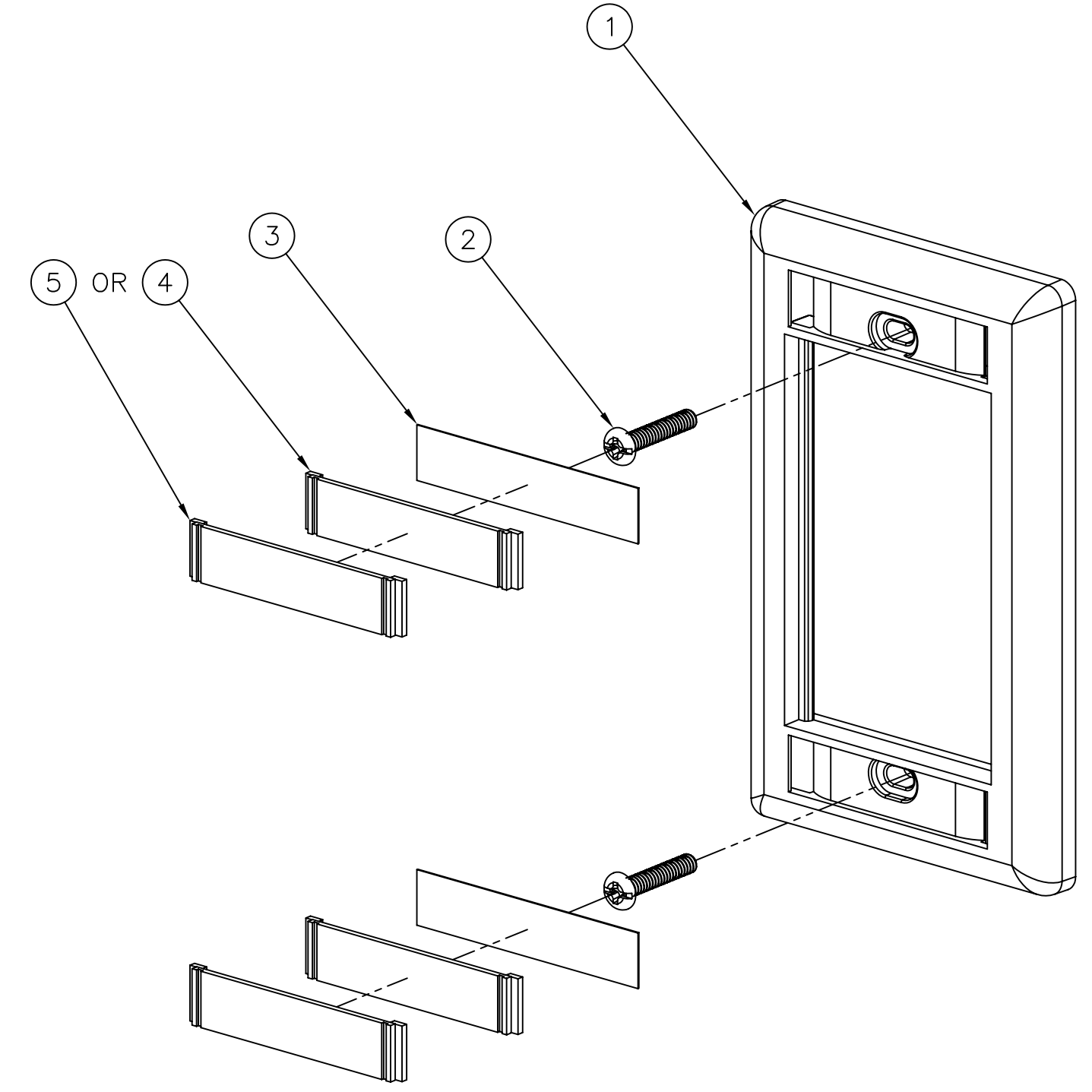
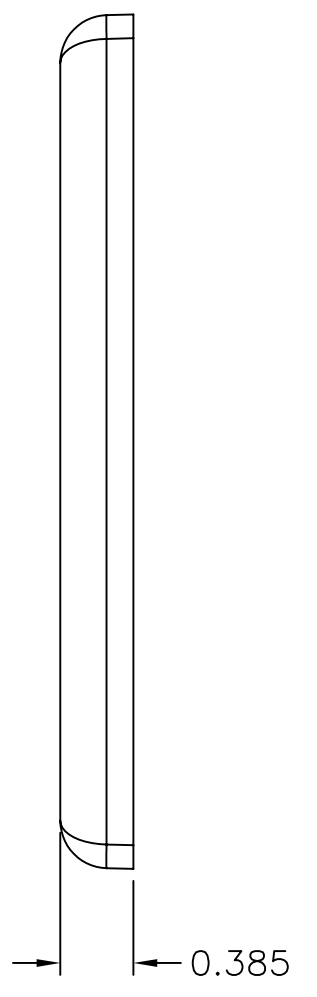
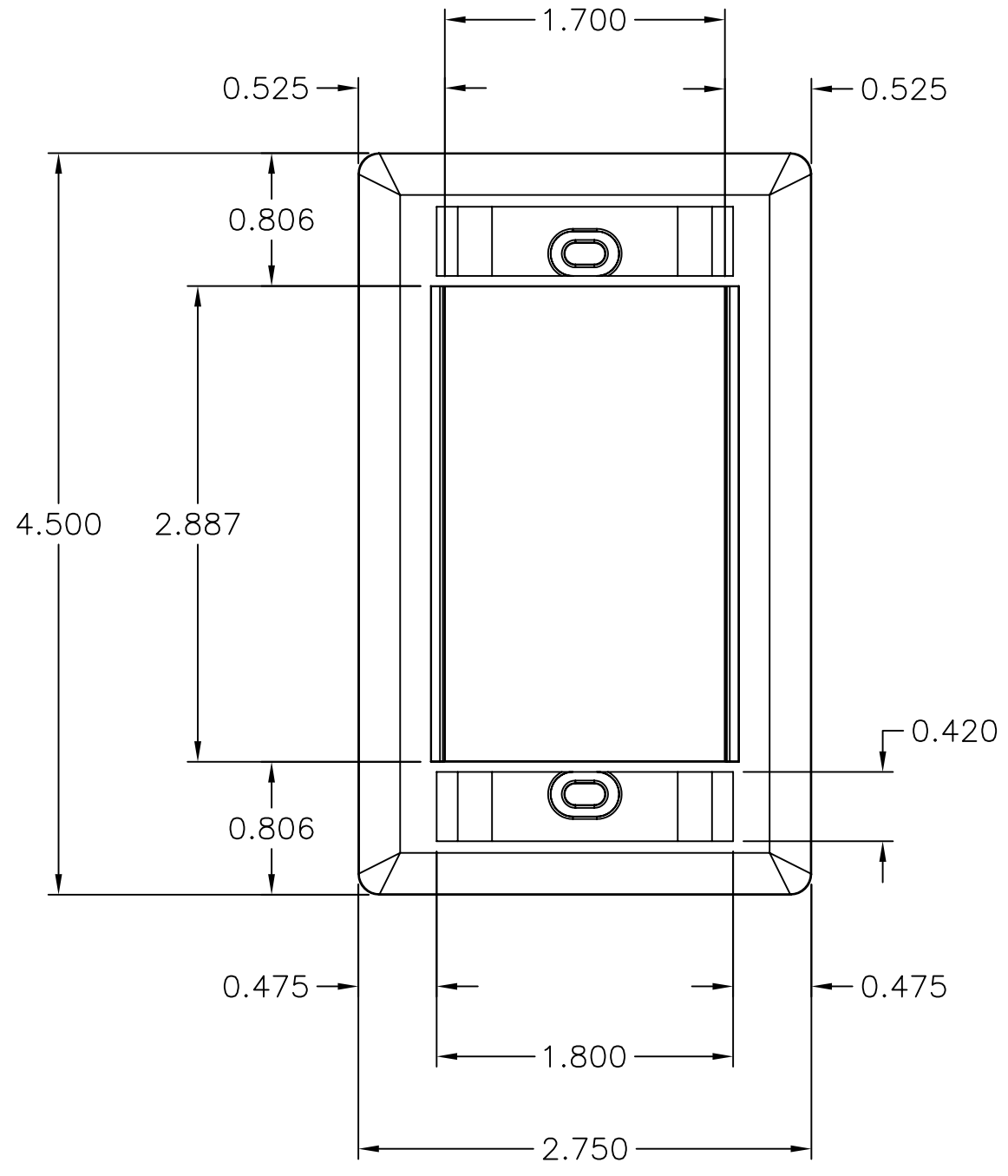



ITEM NO.	DESCRIPTION	QTY.
1	SINGLE GANG,FACE PLATE,W/LABELS	1
2	SCREW,6-32 PAN HD-SPECIAL	2
3	CARD,PAPER,.40X1.92,BLANK	2
4	COVER LABEL,CLEAR	2
5	COVER LABEL,MATCHING COLOR	2

CATALOG NUMBER	COLOR	DESCRIPTION
IMF1W	WHITE	FRAME, SINGLE GANG
IMF1OW	OFFICE WHITE	FRAME, SINGLE GANG
IMF1EI	ELECTRIC IVORY	FRAME, SINGLE GANG
IMF1GY	GRAY	FRAME, SINGLE GANG
IMF1BK	BLACK	FRAME, SINGLE GANG
IMF1TI	TELCO IVORY	FRAME, SINGLE GANG
IMF1AL	ALMOND	FRAME, SINGLE GANG



NOTES
UNLESS OTHERWISE SPECIFIED:

1. C-UL-US LISTED: E129878
2. SPECIFICATIONS SUBJECT TO CHANGE WITHOUT NOTICE

Created on AUTOCAD	DIMENSIONING AND TOLERANCE PER ANSI Y14.5M-1982 UNLESS OTHERWISE SPECIFIED, DIMENSIONS ARE IN INCHES (MM). TOLERANCES .XX = ±.01 (.25) .XXX = ±.005 (.127) .XXXX = ±.0025 (.0635) ANGLE TOL ±1°		PROJECT REFERENCE:		 Hubbell Premise Wiring HUBBELL INCORPORATED (Delaware) 14 Lord's Hill Road, Stonington, Connecticut 06378
	IN ACCEPTING OUR DRAWINGS, BLUEPRINTS, OR SUPPORTING DOCUMENTATION FOR QUOTATION OR OTHER PURPOSES, YOU AGREE NOT TO DISCLOSE TO OTHERS THE IDEAS, INFORMATION, OR DESIGNS SHOWN HEREIN, AND THAT YOU WILL MAKE NO USE OF SAME WITHOUT PERMISSION		MATERIAL:		
			DRAWN BY: P.S.MAGUIRE 02/22/2001		TITLE: INFINE STATION MODULAR FACE PLATE SINGLE GANG, FRONT LOADING WITH LABEL HOLDERS
			CHECKED BY: H. McGREGOR 02/28/2001		SIZE: C DRAWING NO.: C778996 REV.: B
		APPROVED BY: H. McGREGOR 02/28/2001		SCALE: FULL SHEET 1 OF 1	

REV.	ECN	DATE	DESCRIPTION	CHG BY	APPD BY
B	5680	8/23/05	ADDED -AL CATALOG NUMBER	CD	
A	4148	02/22/01	INITIAL RELEASE	PSM	HKM