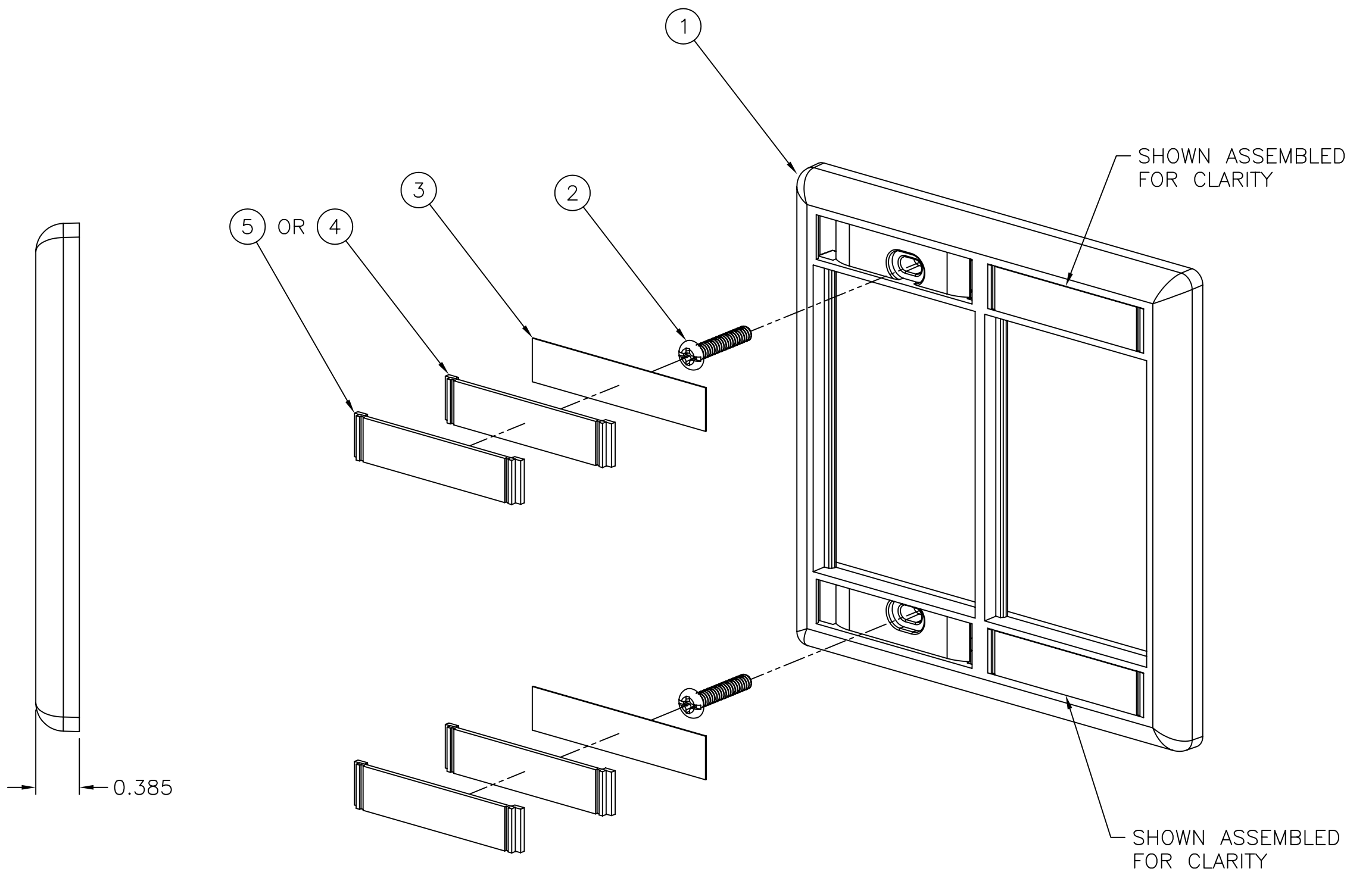
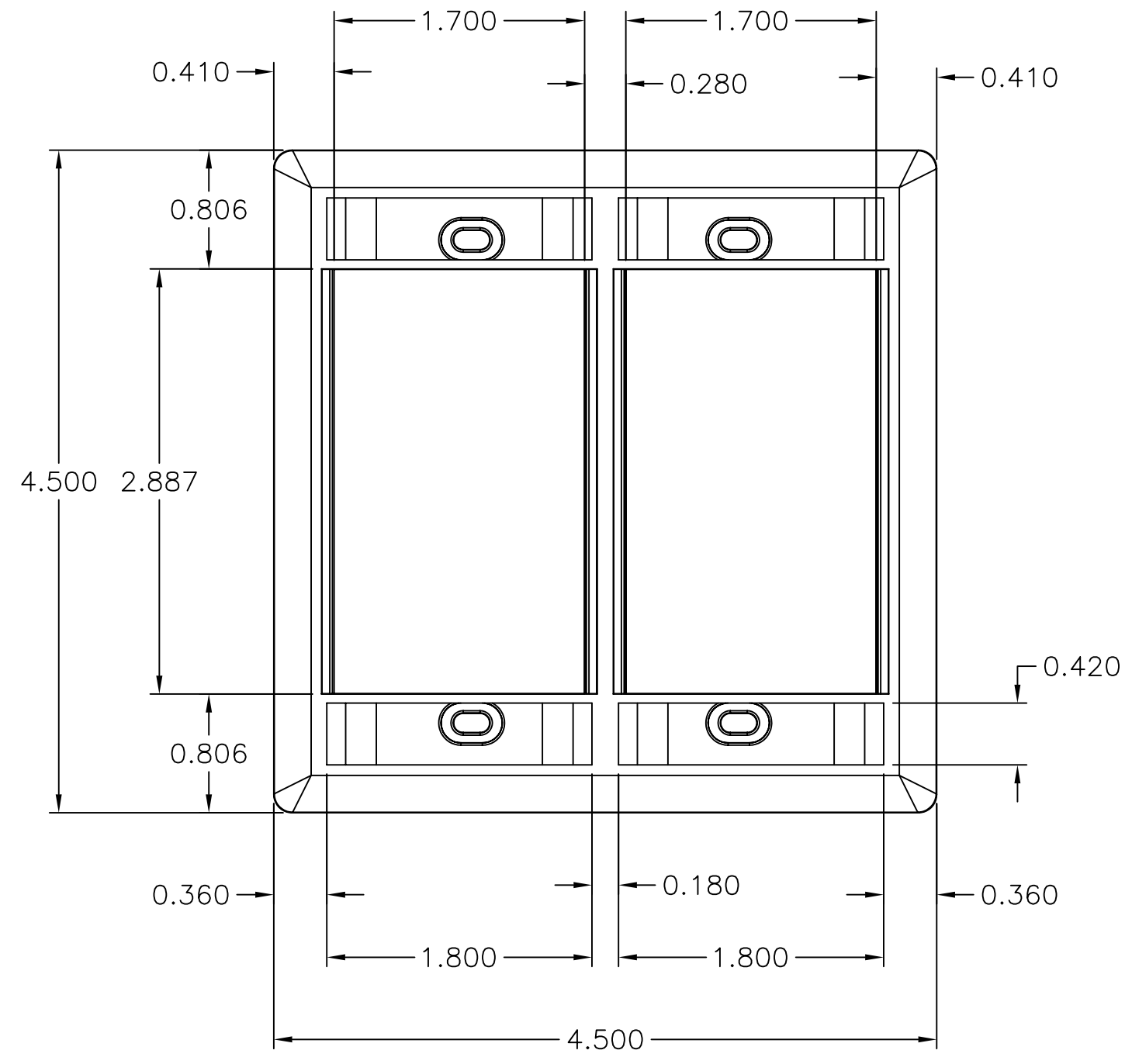


ITEM NO.	DESCRIPTION	QTY.
1	DOUBLE GANG,FACE PLATE,W/LABELS	1
2	SCREW,6-32 PAN HD-SPECIAL	2
3	CARD,PAPER,.40X1.92,BLANK	2
4	COVER LABEL,CLEAR	2
5	COVER LABEL,MATCHING COLOR	2

CATALOG NUMBER	COLOR	DESCRIPTION
IMF2W	WHITE	FRAME, DOUBLE GANG
IMF2OW	OFFICE WHITE	FRAME, DOUBLE GANG
IMF2EI	ELECTRIC IVORY	FRAME, DOUBLE GANG
IMF2GY	GRAY	FRAME, DOUBLE GANG
IMF2BK	BLACK	FRAME, DOUBLE GANG
IMF2TI	TELCO IVORY	FRAME, DOUBLE GANG
IMF2AL	ALMOND	FRAME, DOUBLE GANG



NOTES

UNLESS OTHERWISE SPECIFIED:

1. C-UL-US LISTED: E129878
2. SPECIFICATIONS SUBJECT TO CHANGE WITHOUT NOTICE

Created on AUTOCAD

DIMENSIONING AND TOLERANCE PER ANSI Y14.5M-1982 UNLESS OTHERWISE SPECIFIED, DIMENSIONS ARE IN INCHES (MM).
 TOLERANCES
 .XX = ±.01 (.25)
 .XXX = ±.005 (.127)
 .XXXX = ±.0025 (.0635)
 ANGLE TOL ±1°

IN ACCEPTING OUR DRAWINGS, BLUEPRINTS, OR SUPPORTING DOCUMENTATION FOR QUOTATION OR OTHER PURPOSES, YOU AGREE NOT TO DISCLOSE TO OTHERS THE IDEAS, INFORMATION, OR DESIGNS SHOWN HEREIN, AND THAT YOU WILL MAKE NO USE OF SAME WITHOUT PERMISSION

PROJECT REFERENCE:

MATERIAL:

DRAWN BY:

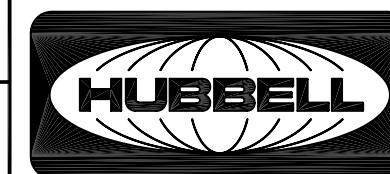
P.S.MAGUIRE 02/22/2001

CHECKED BY:

H. McGREGOR 02/28/2001

APPROVED BY:

H. McGREGOR 02/28/2001



Hubbell Premise Wiring
 HUBBELL INCORPORATED (Delaware)
 14 Lord's Hill Road, Stonington, Connecticut 06378

TITLE: INFINE STATION MODULAR FACE PLATE
 DOUBLE GANG, FRONT LOADING
 WITH LABEL HOLDERS

SIZE: **C**

DRAWING NO. **C778997**

REV. **B**

SCALE: **FULL** SHEET **1** OF **1**

REV.	ECN	DATE	DESCRIPTION	CHG BY	APPD BY
B	5680	8/23/05	ADDED -AL CATALOG NUMBER	CD	
A	4148	02/22/01	INITIAL RELEASE	PSM	HKM