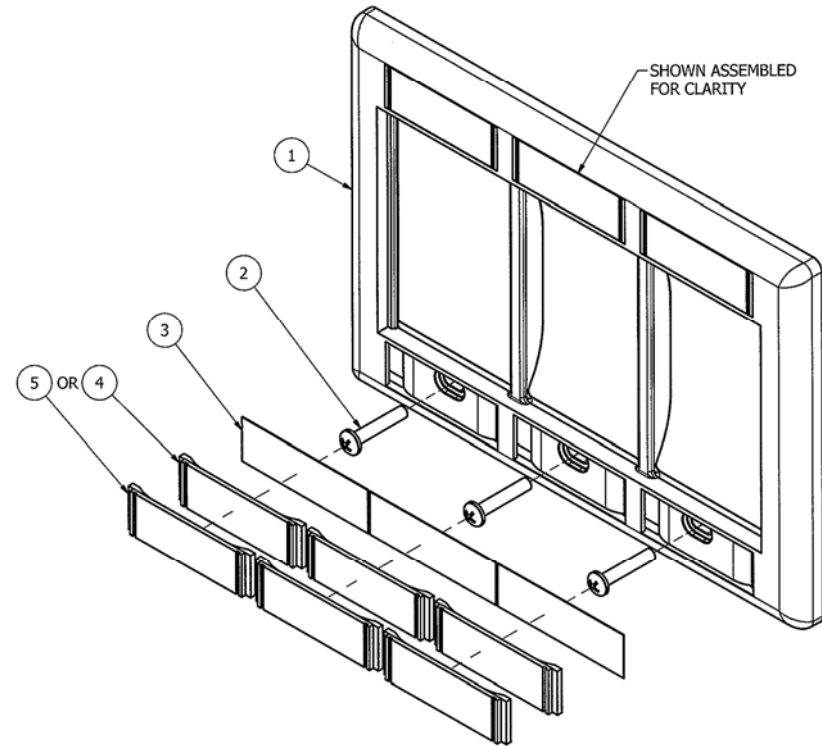
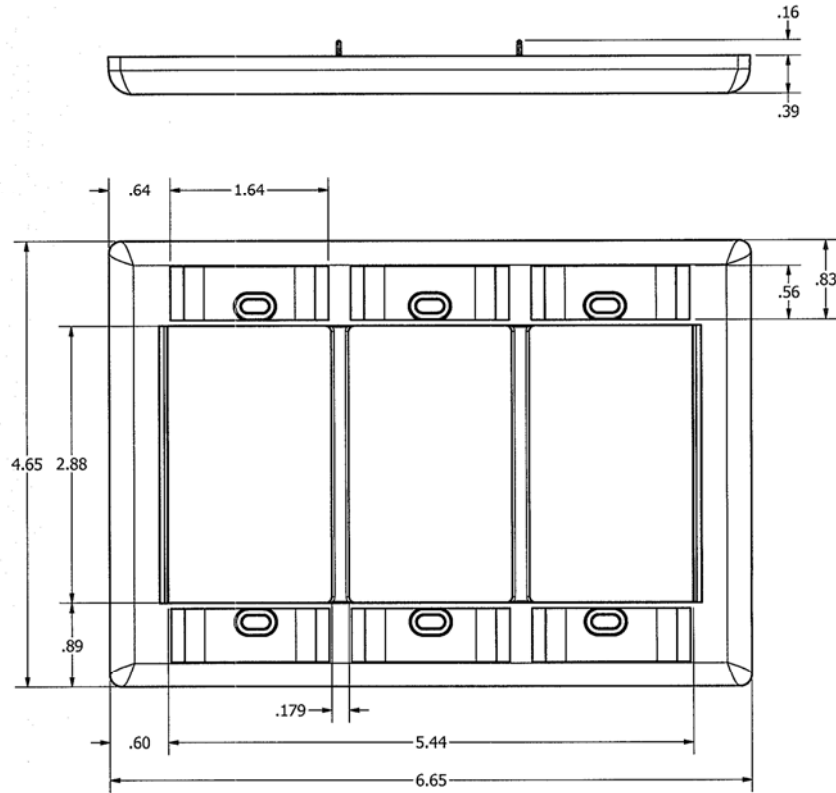


ITEM NO.	DESCRIPTION	QTY.
1	PLATE, 3-GANG, 3 DATA	1
2	SCREW, 6-32 x 3/4, PAN HEAD	6
3	CARD, PAPER, .55 x 1.84, BLANK	6
4	COVER LABEL, CLEAR	6
5	COVER LABEL, COLOR MATCHING	6

CATALOG NUMBER	COLOR	DESCRIPTION
IMF3BK	BLACK	3-GANG FACEPLATE WITH LABEL HOLDERS
IMF3EI	ELECTRIC IVORY	3-GANG FACEPLATE WITH LABEL HOLDERS
IMF3GY	GRAY	3-GANG FACEPLATE WITH LABEL HOLDERS
IMF3OW	OFFICE WHITE	3-GANG FACEPLATE WITH LABEL HOLDERS
IMF3W	WHITE	3-GANG FACEPLATE WITH LABEL HOLDERS



NOTES

- UNLESS OTHERWISE SPECIFIED:
 1. C-UL-US LISTED FOR POWER AND/OR DATA.
 2. SPECIFICATIONS SUBJECT TO CHANGE WITHOUT NOTICE.

Created on INVENTOR

DIMENSIONING AND TOLERANCE PER ANSI Y14.5M-1982 UNLESS OTHERWISE SPECIFIED, DIMENSIONS ARE IN INCHES (MM).
 TOLERANCES: XX = ±.01 (.25)
 .XXX = ±.005 (.127)
 .XXXX = ±.0025 (.0635)
 ANGLE TOL ±1°

IN ACCEPTING OUR DRAWINGS, BLUEPRINTS, OR SUPPORTING DOCUMENTATION FOR QUOTATION OR OTHER PURPOSES, YOU AGREE NOT TO DISCLOSE TO OTHERS THE IDEAS, INFORMATION, OR DESIGNS SHOWN HEREIN, AND THAT YOU WILL MAKE NO USE OF SAME WITHOUT PERMISSION

PROJECT REFERENCE:
 2012-011

MATERIAL:

DRAWN BY:
 S. WURMS 6/5/2014

CHECKED BY:

APPROVED BY:



Hubbell Premise Wiring
 HUBBELL INCORPORATED (Delaware)
 23 CLARA DRIVE, SUITE 103 MYSTIC, CT 06355

TITLE: 3-GANG FACEPLATE WITH LABEL HOLDERS
 (3) 3U STATION OPENING

SIZE: C DRAWING NO. HWS14431C REV. 1

SCALE: 1:1 SHEET 1 OF 1

REV.	ECN	DATE	DESCRIPTION	CHG BY	APPD BY
1	19268	10/1/14	INITIAL RELEASE	SBW	SM