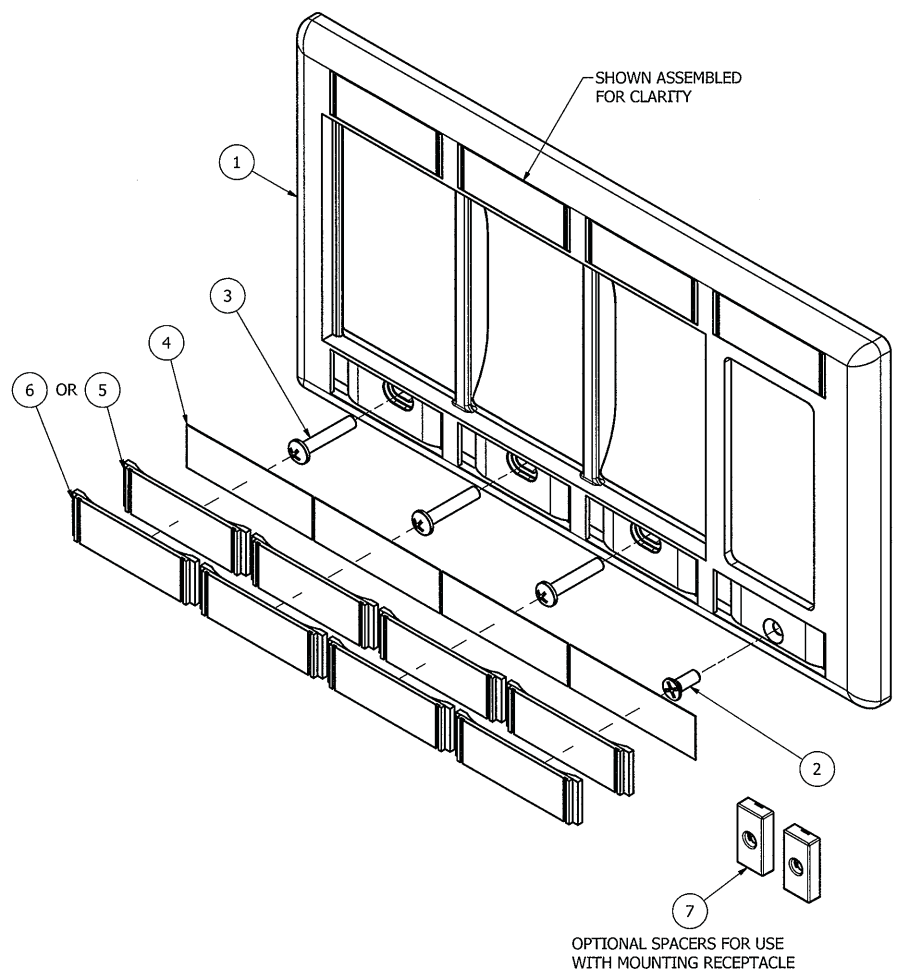
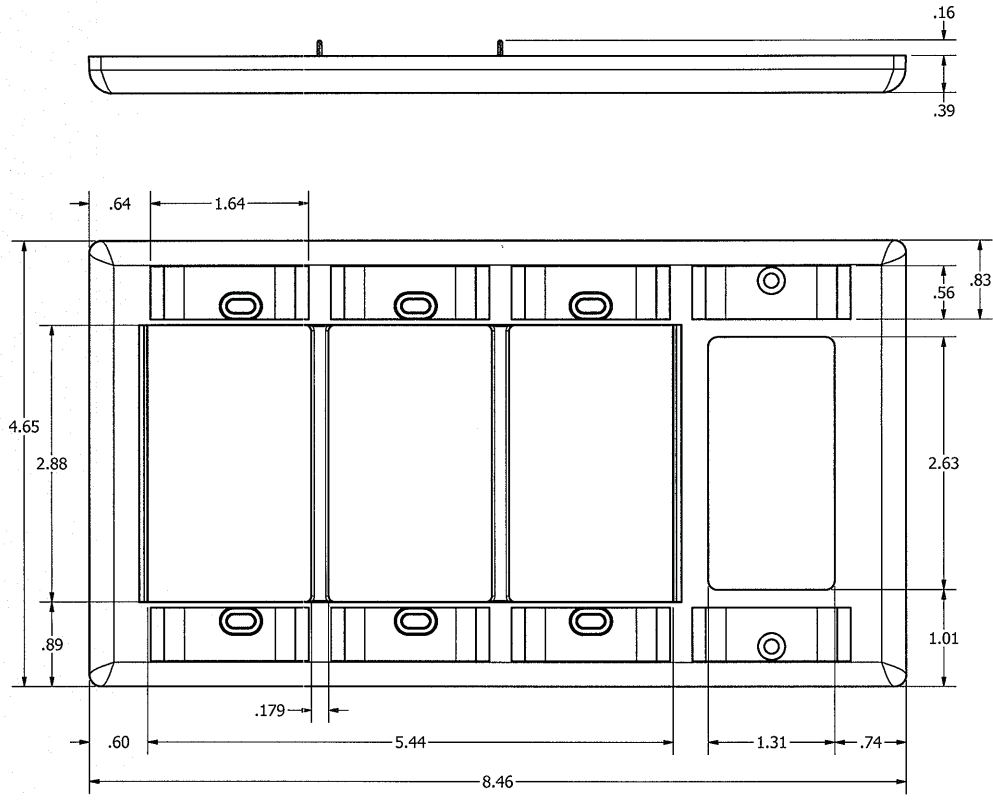
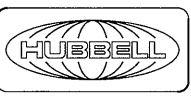


ITEM NO.	DESCRIPTION	QTY.
1	PLATE, 4-GANG, 1 DECORATOR, 3 DATA	1
2	SCREW, 6-32 x 3/8, FLAT HEAD	2
3	SCREW, 6-32 x 3/4, PAN HEAD	6
4	CARD, PAPER, .55 x 1.84, BLANK	8
5	COVER LABEL, CLEAR	8
6	COVER LABEL, COLOR MATCHING	8
7	SPACER, RECEPTACLE	2

CATALOG NUMBER	COLOR	DESCRIPTION
IMFP1D3BK	BLACK	4-GANG FACEPLATE WITH LABEL HOLDERS
IMFP1D3EI	ELECTRIC IVORY	4-GANG FACEPLATE WITH LABEL HOLDERS
IMFP1D3GY	GRAY	4-GANG FACEPLATE WITH LABEL HOLDERS
IMFP1D3OW	OFFICE WHITE	4-GANG FACEPLATE WITH LABEL HOLDERS
IMFP1D3W	WHITE	4-GANG FACEPLATE WITH LABEL HOLDERS



NOTES
 UNLESS OTHERWISE SPECIFIED:
 1. C-UL-US LISTED FOR POWER AND/OR DATA.
 2. SPECIFICATIONS SUBJECT TO CHANGE WITHOUT NOTICE.

Created on INVENTOR	DIMENSIONING AND TOLERANCE PER ANSI Y14.5M-1982 UNLESS OTHERWISE SPECIFIED, DIMENSIONS ARE IN INCHES (MM). TOLERANCES: XX = ±.01 (.25) .XXX = ±.005 (.127) .XXXX = ±.0025 (.0635) ANGLE TOL ±1°		PROJECT REFERENCE: 2012-011		 Hubbell Premise Wiring HUBBELL INCORPORATED (Delaware) 23 CLARA DRIVE, SUITE 103 MYSTIC, CT 06355
	IN ACCEPTING OUR DRAWINGS, BLUEPRINTS, OR SUPPORTING DOCUMENTATION FOR QUOTATION OR OTHER PURPOSES, YOU AGREE NOT TO DISCLOSE TO OTHERS THE IDEAS, INFORMATION, OR DESIGNS SHOWN HEREIN, AND THAT YOU WILL MAKE NO USE OF SAME WITHOUT PERMISSION		MATERIAL:		
			DRAWN BY: S. WURMS 6/5/2014		TITLE: 4-GANG FACEPLATE WITH LABEL HOLDERS (1) DECORATOR OPENING & (3) 3U I STATION OPENING
			CHECKED BY:		SIZE: C DRAWING NO. HWS14432C REV. 1
		APPROVED BY:		SCALE: 1:1 SHEET 1 OF 1	

REV.	ECN	DATE	DESCRIPTION	CHG BY	APPD BY
1	19268	10/1/14	INITIAL RELEASE	SBW	SM