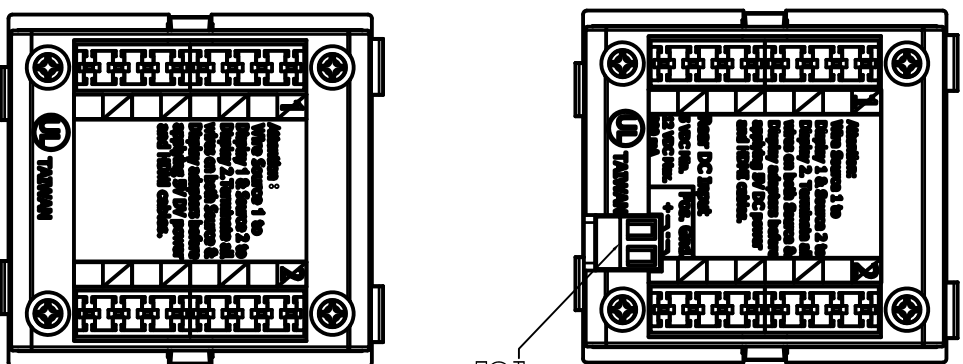
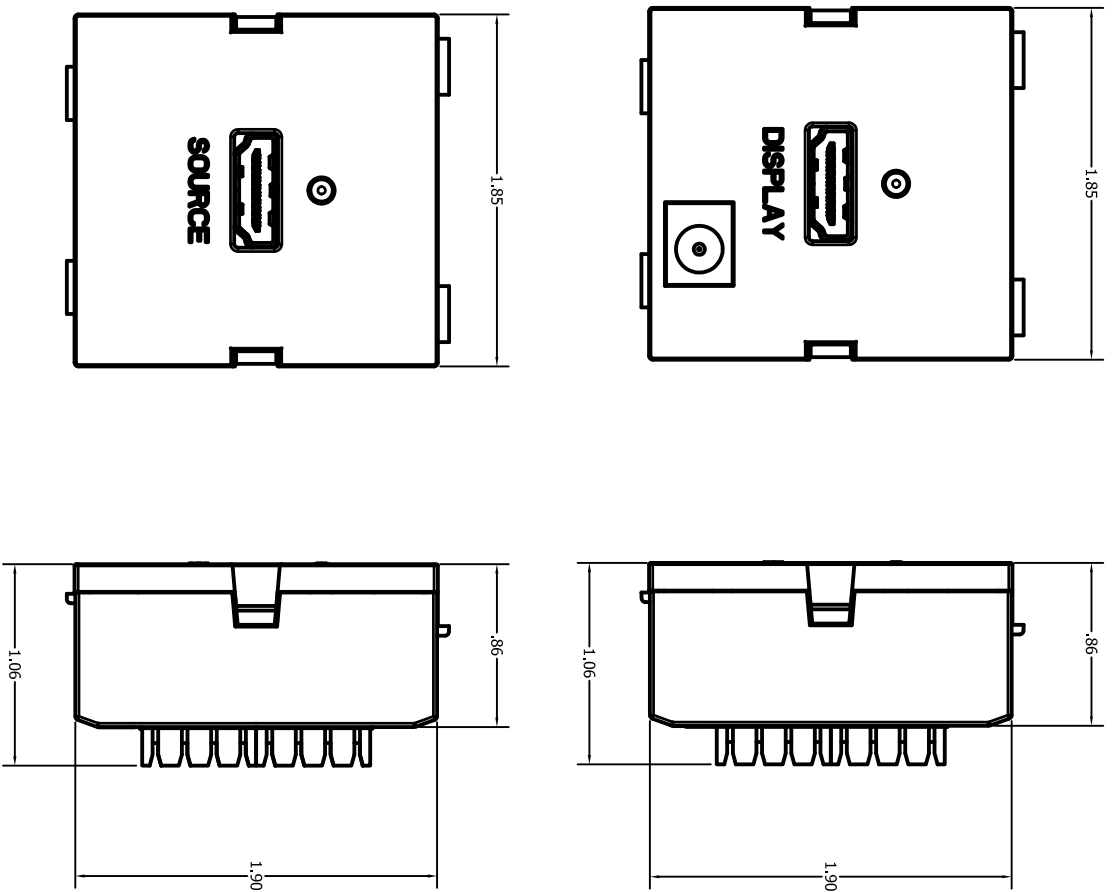


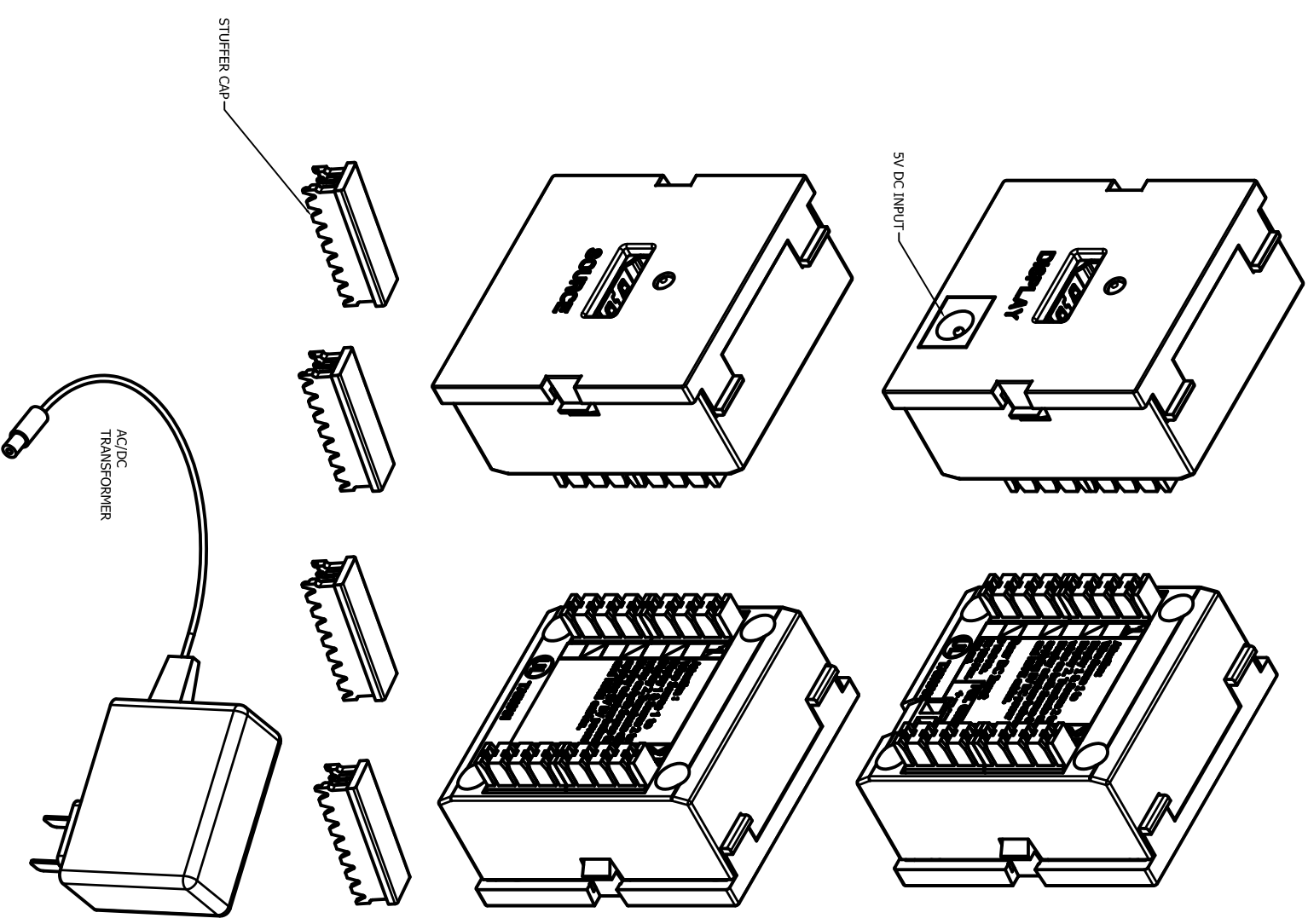
CATALOG NUMBER	DESCRIPTION	MODULE COLOR
IMH110S12BK	STATION MOD,HDMI,110TERM,SET,ACTIVE,W-REAR DC, 2U	BLACK
IMH110S12EI	STATION MOD,HDMI,110TERM,SET,ACTIVE,W-REAR DC, 2U	ELECTRIC IVORY
IMH110S12GY	STATION MOD,HDMI,110TERM,SET,ACTIVE,W-REAR DC, 2U	GRAY
IMH110S12OW	STATION MOD,HDMI,110TERM,SET,ACTIVE,W-REAR DC, 2U	OFFICE WHITE
IMH110S12W	STATION MOD,HDMI,110TERM,SET,ACTIVE,W-REAR DC, 2U	WHITE



- NOTES:
1. KIT CONTAINS ONE DISPLAY ADAPTER, ONE SOURCE ADAPTER, ONE TRANSFORMER, FOUR STUFFER CAPS, AND ONE INSTRUCTION SHEET.
  2. MAXIMUM UTP CABLE LENGTHS:

C5E: 35 METERS  
C6: 40 METERS  
C6A: 45 METERS

3. TERMINATE 2 UTP CABLES PER SET, MAINTAIN EQUAL CABLE LENGTHS.
4. SPECIFICATIONS SUBJECT TO CHANGE WITHOUT NOTICE.



REV.	EON	DATE	DESCRIPTION	CHG BY	APPD BY
3	18013	9/25/12	ADDED STUFFER CAPS	DPO	

Created on INVENTOR

DIMENSIONING AND TOLERANCE PER ANSI Y14.5M-1982 UNLESS OTHERWISE SPECIFIED. DIMENSIONS ARE IN INCHES (MM). TOLERANCES: XX = ±.01 (.25) .XXX = ±.005 (.127) .XXXX = ±.0025 (.0635) ANGLE TOL. ±1°

IN ACCEPTING OUR DRAWINGS, BLUEPRINTS, OR SUPPORTING DOCUMENTATION FOR QUOTATION OR OTHER PURPOSES, YOU AGREE NOT TO MAKE ANY CHANGES OR MODIFICATIONS, OR DESIGN CHANGES, HEREIN, AND THAT YOU WILL MAKE NO USE OF SAME WITHOUT PERMISSION.

PROJECT REFERENCE: 2010-030

MATERIAL: N/A

DRAWN BY: D.O'CONNOR 5/21/12

CHECKED BY:

APPROVED BY:

**HUBBELL** Hubbell Premise Wiring  
HUBBELL INCORPORATED (Delaware)  
14 Lord's Hill Road, Stoughton, Connecticut 06378

TITLE: HDMI TO 110 I-STATION MODULE KIT

SIZE: D DRAWING NO. HWS14013C

SCALE: N/A SHEET 1 OF 1

REV. 3