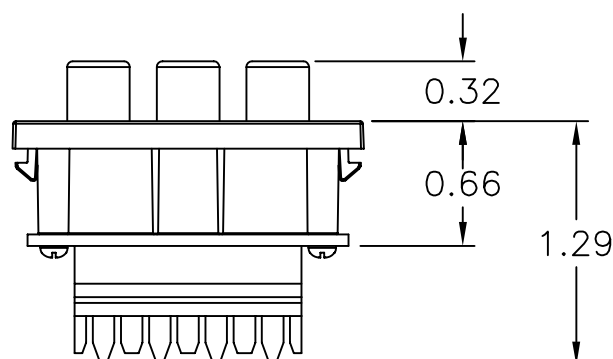
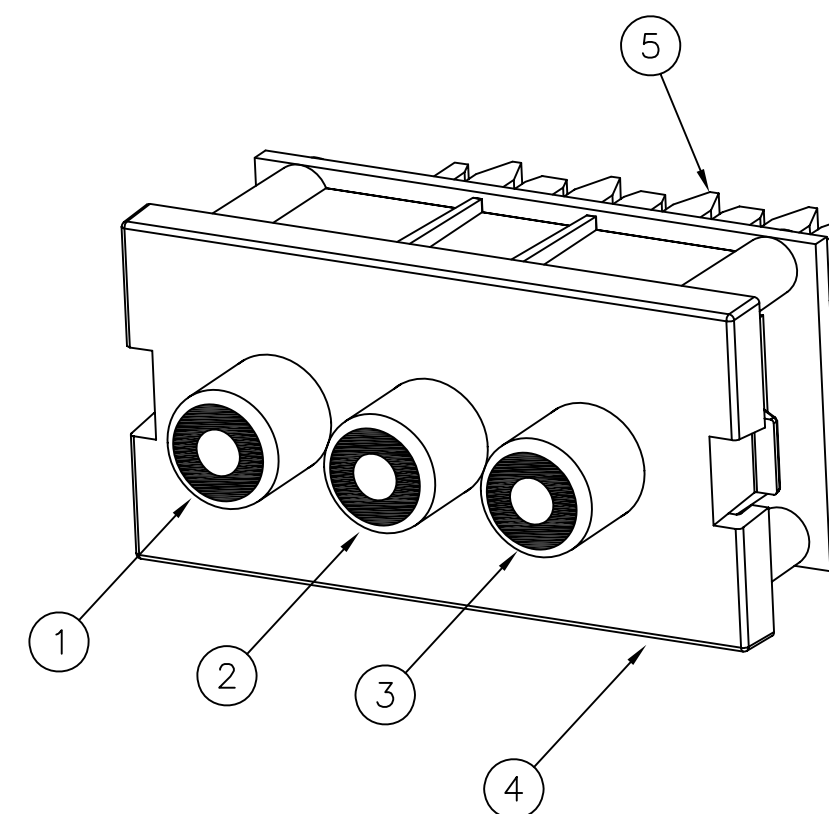
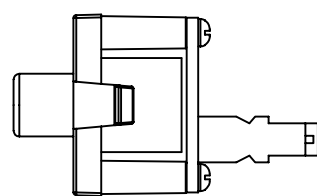
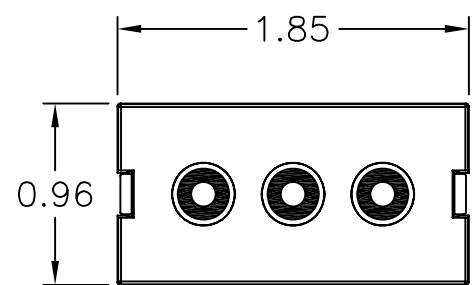



ITEM NO.	DESCRIPTION	QTY.
1	RCA CONNECTOR, YELLOW	1
2	RCA CONNECTOR, WHITE	1
3	RCA CONNECTOR, RED	1
4	INFIneSTATION MODULE, 1U	1
5	IDC TOWER, 8-POSITION	1

CATALOG NUMBER	COLOR	DESCRIPTION
IMR1101OW	OFFICE WHITE	COMPOSITE VIDEO MULTIMEDIA MODULE
IMR1101W	WHITE	COMPOSITE VIDEO MULTIMEDIA MODULE
IMR1101BK	BLACK	COMPOSITE VIDEO MULTIMEDIA MODULE
IMR1101GY	GRAY	COMPOSITE VIDEO MULTIMEDIA MODULE
IMR1101EI	IVORY	COMPOSITE VIDEO MULTIMEDIA MODULE
IMR1101AL	ALMOND	COMPOSITE VIDEO MULTIMEDIA MODULE
IMR1101LA	LIGHT ALMOND	COMPOSITE VIDEO MULTIMEDIA MODULE



- NOTES
UNLESS OTHERWISE SPECIFIED:
- SOLD IN CARTON INCREMENTS ONLY. CARTON CONTAINS 10 MODULES (INDIVIDUALLY BAGGED).
 - 110 TERMINATION
 - COLOR REFERS TO THE 1U MODULE ADAPTER, NOT THE RCA CONNECTORS.
 - USE SUPPLIED TERMINATION AID WHEN TERMINATING MODULES.
 - FOLLOW COLOR CODING ON IDC TOWERS WHEN LACING/TERMINATING THE UTP CABLE.
 - SPECIFICATIONS SUBJECT TO CHANGE WITHOUT NOTICE.

Created on AUTOCAD	DIMENSIONING AND TOLERANCE PER ANSI Y14.5M-1982 UNLESS OTHERWISE SPECIFIED, DIMENSIONS ARE IN INCHES (MM). TOLERANCES .XX = ±.01 (.25) .XXX = ±.005 (.127) .XXXX = ±.0025 (.0635) ANGLE TOL ±1°		PROJECT REFERENCE: 2005-020		 Hubbell Premise Wiring HUBBELL INCORPORATED (Delaware) 14 Lord's Hill Road, Stonington, Connecticut 06378
	IN ACCEPTING OUR DRAWINGS, BLUEPRINTS, OR SUPPORTING DOCUMENTATION FOR QUOTATION OR OTHER PURPOSES, YOU AGREE NOT TO DISCLOSE TO OTHERS THE IDEAS, INFORMATION, OR DESIGNS SHOWN HEREIN, AND THAT YOU WILL MAKE NO USE OF SAME WITHOUT PERMISSION		MATERIAL:		
			DRAWN BY: C. GRIBBLE 11/08/06		TITLE: INFIneSTATION MODULE COMPOSITE VIDEO CONNECTOR 3 RCA JACKS, 1U MODULE, 110 TERMINATION
			CHECKED BY:		SIZE: C DRAWING NO. 773899C REV. A
		APPROVED BY:		SCALE: 1/1 SHEET 1 OF 1	

REV.	ECN	DATE	DESCRIPTION	CHG BY	APPD BY
A	5994	11/08/06	INITIAL RELEASE	CG	