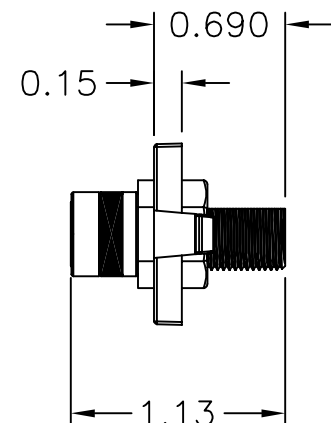
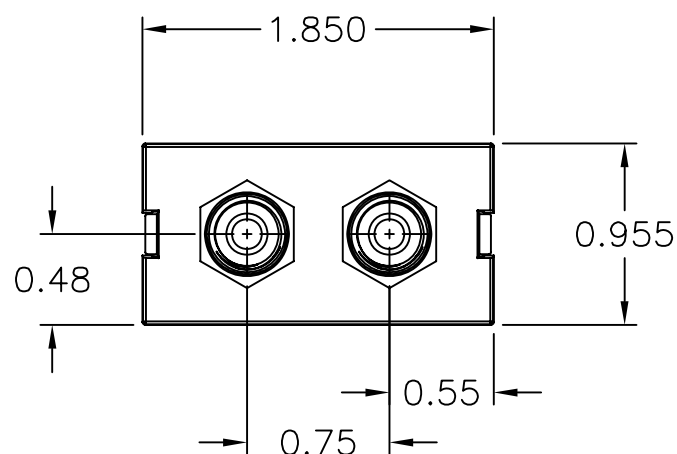
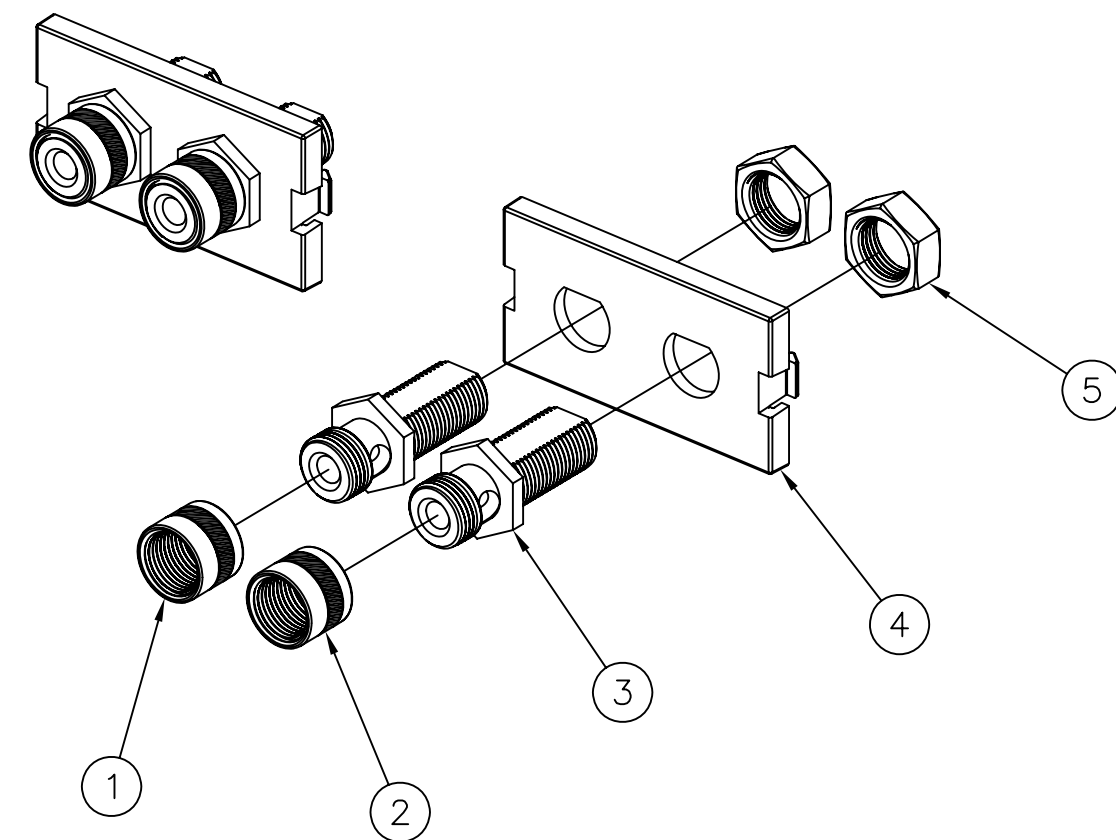
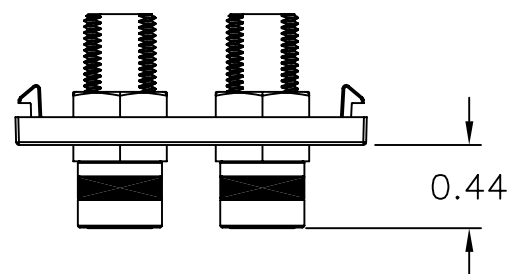


ITEM NO.	DESCRIPTION	QTY.
1	GOLD SPEAKER POST NUT – BLACK	1
2	GOLD SPEAKER POST NUT – RED	1
3	GOLD SPEAKER POST	2
4	MULTIMEDIA MODULE	1
5	GOLD SPEAKER POST NUT	2

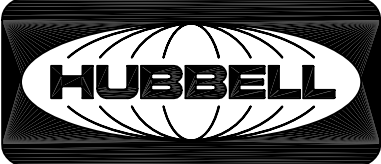
CATALOG NUMBER	COLOR	DESCRIPTION
IMSP10W	OFFICE WHITE	SPEAKER POST MODULE
IMSP1W	WHITE	SPEAKER POST MODULE
IMSP1GY	GRAY	SPEAKER POST MODULE
IMSP1BK	BLACK	SPEAKER POST MODULE
IMSP1TI	TELCO IVORY	SPEAKER POST MODULE
IMSP1EI	ELECTRIC IVORY	SPEAKER POST MODULE
IMSP1AL	ALMOND	SPEAKER POST MODULE
IMSP1LA	LIGHT ALMOND	SPEAKER POST MODULE



NOTES

UNLESS OTHERWISE SPECIFIED:

- SOLD IN CARTON INCREMENTS ONLY. CARTON CONTAINS 25 MODULES (INDIVIDUALLY BAGGED).
- COLOR REFERS TO THE MULTIMEDIA MODULE NOT THE GOLD SPEAKER POST.
- GOLD SPEAKER POST COME WITH BLACK & RED BANDS.
- SPECIFICATIONS SUBJECT TO CHANGE WITHOUT NOTICE.

Created on AUTOCAD	DIMENSIONING AND TOLERANCE PER ANSI Y14.5M-1982 UNLESS OTHERWISE SPECIFIED, DIMENSIONS ARE IN INCHES (MM). TOLERANCES .XX = ±.01 (.25) .XXX = ±.005 (.127) .XXXX = ±.0025 (.0635) ANGLE TOL ±1°		PROJECT REFERENCE: MATERIAL:		 Hubbell Premise Wiring HUBBELL INCORPORATED (Delaware) 14 Lord's Hill Road, Stonington, Connecticut 06378		
	IN ACCEPTING OUR DRAWINGS, BLUEPRINTS, OR SUPPORTING DOCUMENTATION FOR QUOTATION OR OTHER PURPOSES, YOU AGREE NOT TO DISCLOSE TO OTHERS THE IDEAS, INFORMATION, OR DESIGNS SHOWN HEREIN, AND THAT YOU WILL MAKE NO USE OF SAME WITHOUT PERMISSION		DRAWN BY: PAUL S. MAGUIRE 10/29/02			TITLE: JACKS/CONNECTORS MULTIMEDIA MODULES & CONNECTORS ASSEMBLY, SPEAKER POST MODULE	
			CHECKED BY: GLENN KIERSTEAD 11/06/02		SIZE: C	DRAWING NO.: C11849	REV.: C
			APPROVED BY: GLENN KIERSTEAD 11/06/02		SCALE: 1/1 SHEET 1 OF 1		

REV.	ECN	DATE	DESCRIPTION	CHG BY	APPD BY
C	5994	11/09/06	ADDED PART NUMBERS TO TABULATION	CG	