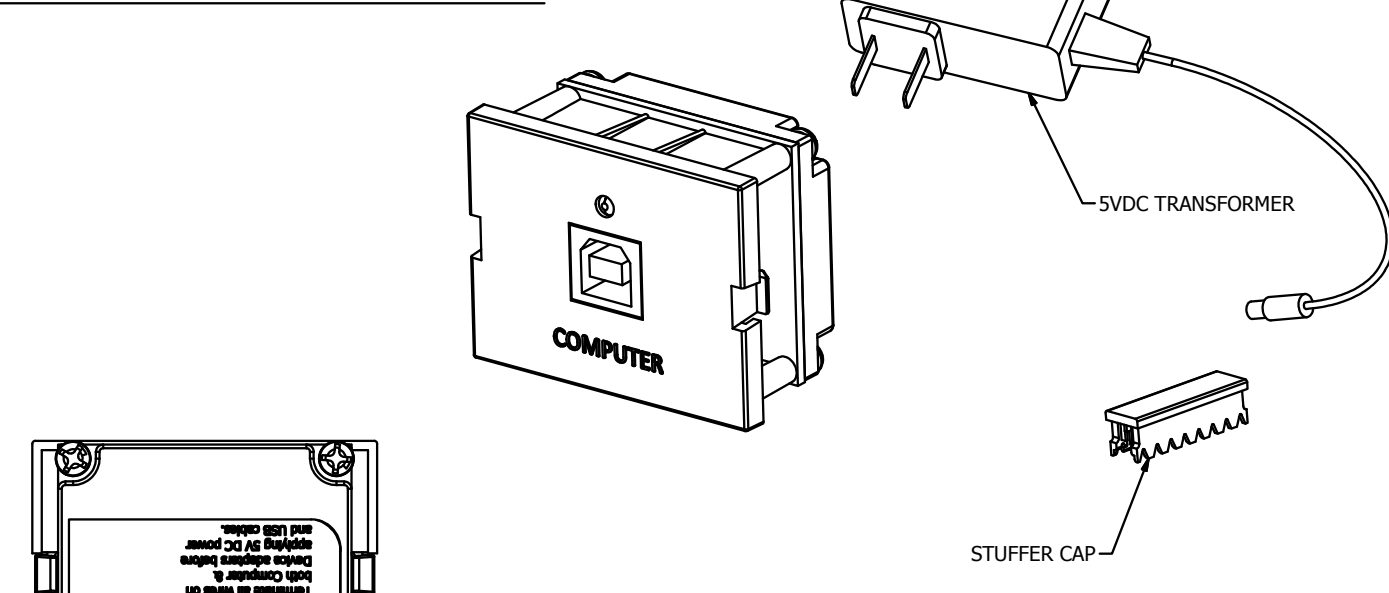
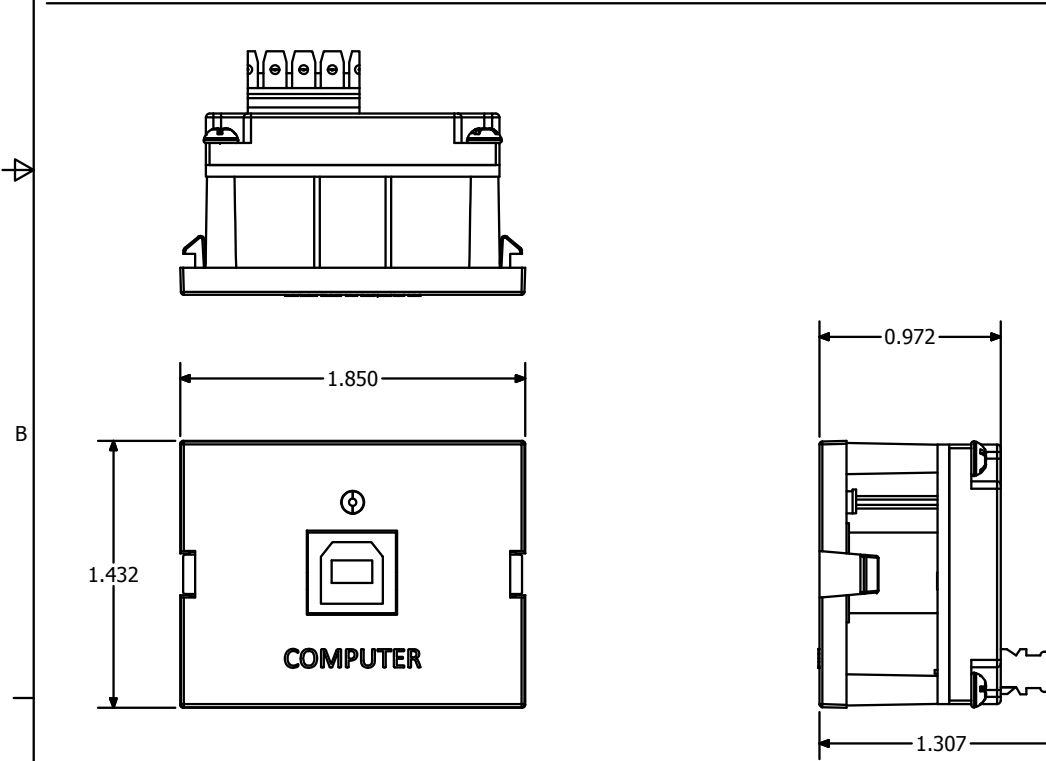
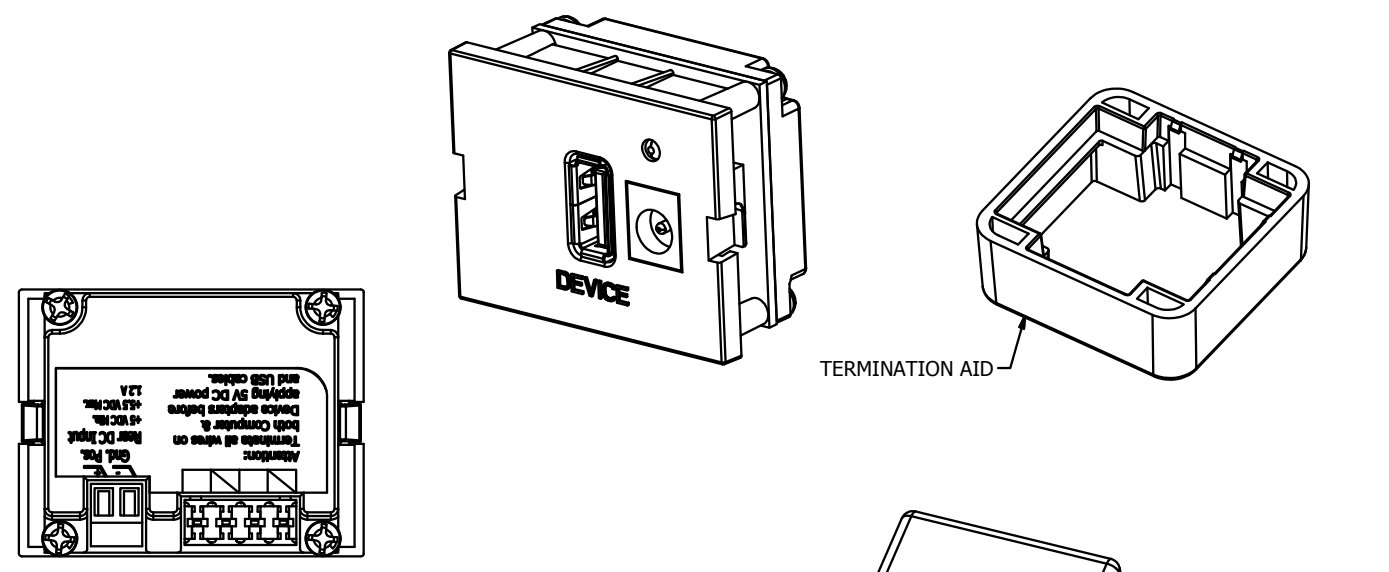
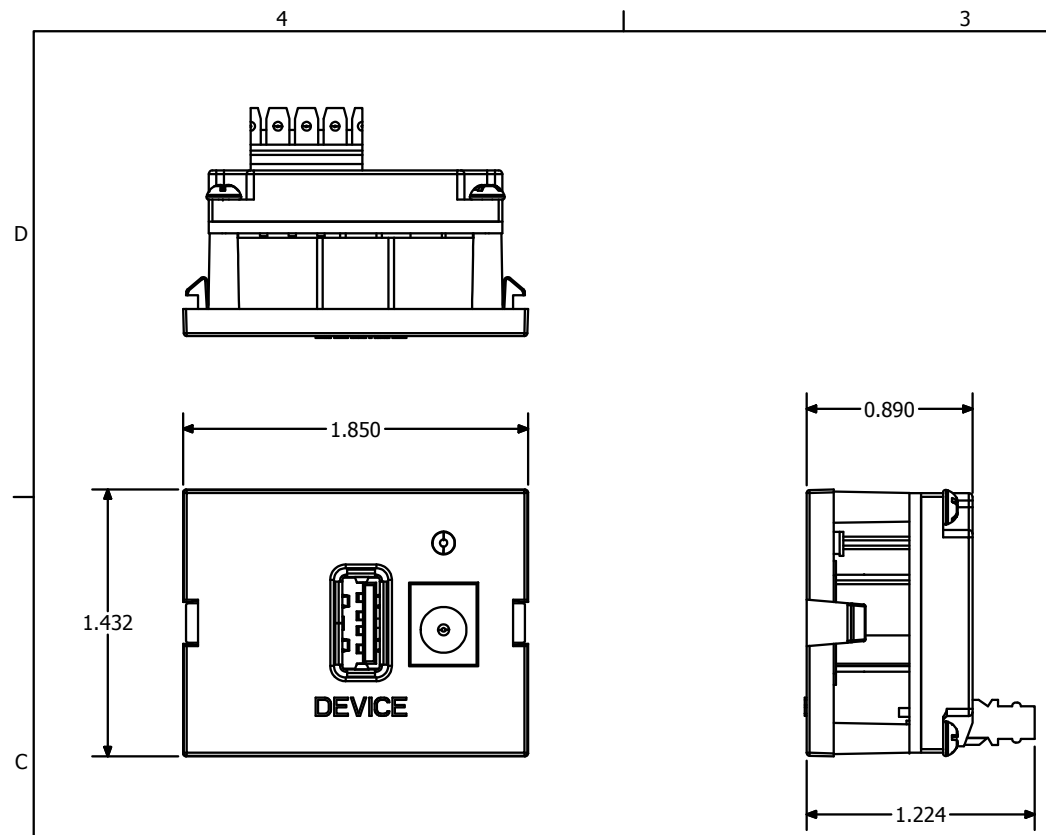


CATALOG	DESCRIPTION
IMU11015BK	USB 2.0HS,TR/TX KIT,A/B,110 TERM,1.5U,BK
IMU11015EI	USB 2.0HS,TR/TX KIT,A/B,110 TERM,1.5U,EI
IMU11015GY	USB 2.0HS,TR/TX KIT,A/B,110 TERM,1.5U,GY
IMU11015OW	USB 2.0HS,TR/TX KIT,A/B,110 TERM,1.5U,OW
IMU11015W	USB 2.0HS,TR/TX KIT,A/B,110 TERM,1.5U,WH



- NOTES:
- KIT TO CONTAIN ONE "DEVICE" MODULE, ONE "COMPUTER" MODULE, ONE TERMINATION AID, ONE TRANSFORMER, TWO STUFFER CAPS IN A CLEAR BAG AND ONE INSTRUCTION SHEET.
 - MAXIMUM UTP CABLE LENGTH: 100 FT.
 - SPECIFICATIONS SUBJECT TO CHANGE WITHOUT NOTICE.

Created on INVENTOR	DIMENSIONING AND TOLERANCE PER ANSI Y14.5M-1982 UNLESS OTHERWISE SPECIFIED, DIMENSIONS ARE IN INCHES (MM). TOLERANCES: XX = ±.01 (.25) .XXX = ±.005 (.127) .XXXX = ±.0025 (.0635) ANGLE TOL ±1°	PROJECT REFERENCE: 2012-035	
	IN ACCEPTING OUR DRAWINGS, BLUEPRINTS, OR SUPPORTING DOCUMENTATION FOR QUOTATION OR OTHER PURPOSES, YOU AGREE NOT TO DISCLOSE TO OTHERS THE IDEAS, INFORMATION, OR DESIGNS SHOWN HEREIN, AND THAT YOU WILL MAKE NO USE OF SAME WITHOUT PERMISSION	MATERIAL:	
		DRAWN BY: D.O'CONNOR 12/14/15	
		CHECKED BY:	
	APPROVED BY:		

		Hubbell Premise Wiring HUBBELL INCORPORATED (Delaware) 23 CLARA DRIVE, SUITE 103 MYSTIC, CT 06355	
		TITLE: I STATION USB 2.0 TO 110 ADAPTER MODULE KIT	
SIZE C	DRAWING NO. HWS14572C	REV. 1	
SCALE: 2 TO 1		SHEET 1 OF 1	

REV.	ECN	DATE	DESCRIPTION	CHG BY	APPD BY
1	21360	12/14/15	INITIAL RELEASE	DPO	