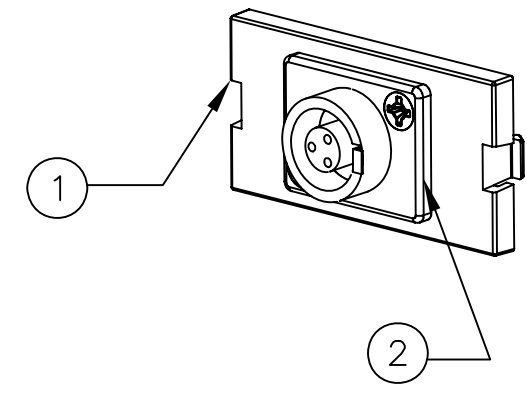
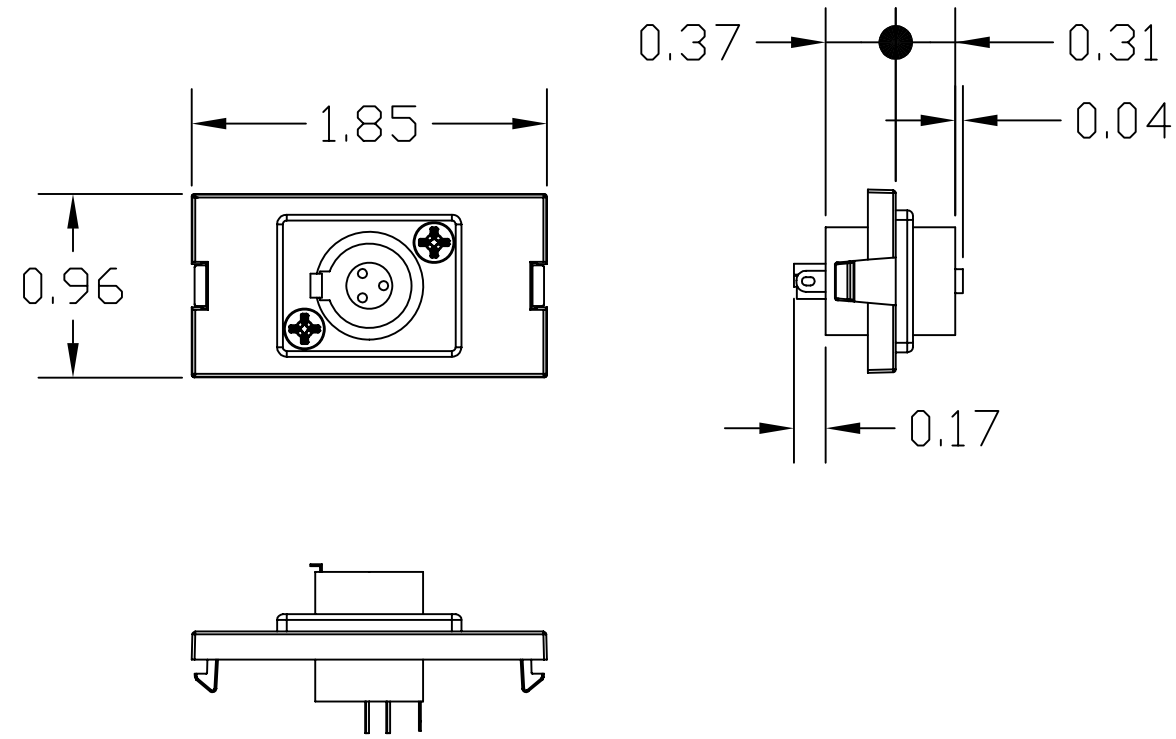



ITEM NO.	DESCRIPTION	QTY.
1	INFINEMODULE, 1U	1
2	MINI XLR 3-PIN, FEMALE, SOLDER TERM	1
3	MOUNTING SCREWS, #3-48, FLAT HEAD	2

CATALOG NUMBER	HOUSING COLOR	DESCRIPTION
IMXLRM1OW	OFFICE WHITE	MINI XLR 1U MODULE, SOLDER TERM
IMXLRM1W	WHITE	MINI XLR 1U MODULE, SOLDER TERM
IMXLRM1BK	BLACK	MINI XLR 1U MODULE, SOLDER TERM
IMXLRM1EI	ELECTRIC IVORY	MINI XLR 1U MODULE, SOLDER TERM
IMXLRM1TI	TELCO IVORY	MINI XLR 1U MODULE, SOLDER TERM
IMXLRM1GY	GRAY	MINI XLR 1U MODULE, SOLDER TERM
IMXLRM1AL	ALMOND	MINI XLR 1U MODULE, SOLDER TERM
IMXLRM1LA	LIGHT ALMOND	MINI XLR 1U MODULE, SOLDER TERM



NOTES:
 1. XLR CONNECTOR IS PRE- INSTALLED INTO 1U INFINEMODULE
 2. SPECIFICATIONS ARE SUBJECT TO CHANGE WITHOUT NOTICE.

B	5994	11/09/06	ADDED LIGHT ALMOND CATALOG	CG	
REV.	ECN	DATE	DESCRIPTION	CHG BY	APPD BY

Created on AUTOCAD	DIMENSIONING AND TOLERANCE PER ANSI Y14.5M-1982 UNLESS OTHERWISE SPECIFIED, DIMENSIONS ARE IN INCHES (MM). TOLERANCES .XX = ±.01 (.25) .XXX = ±.005 (.127) .XXXX = ±.0025 (.0635) ANGLE TOL ±1°	PROJECT REFERENCE: 2005-020	 Hubbell Premise Wiring HUBBELL INCORPORATED (Delaware) 14 Lord's Hill Road, Stonington, Connecticut 06378		
	IN ACCEPTING OUR DRAWINGS, BLUEPRINTS, OR SUPPORTING DOCUMENTATION FOR QUOTATION OR OTHER PURPOSES, YOU AGREE NOT TO DISCLOSE TO OTHERS THE IDEAS, INFORMATION, OR DESIGNS SHOWN HEREIN, AND THAT YOU WILL MAKE NO USE OF SAME WITHOUT PERMISSION	DRAWN BY: CHRIS GRIBBLE 3/31/06		TITLE: INFINEMODULE, MINI XLR, 1U	
		CHECKED BY:	SIZE B	DRAWING NO. HWS12404C	REV. B
		APPROVED BY:	SCALE: 1/1	SHEET 1 OF 1	