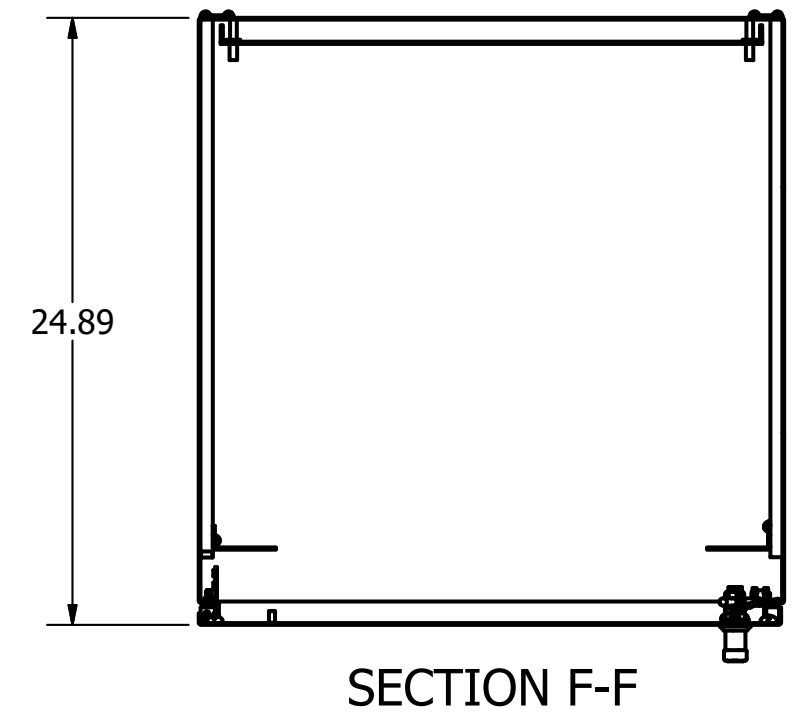
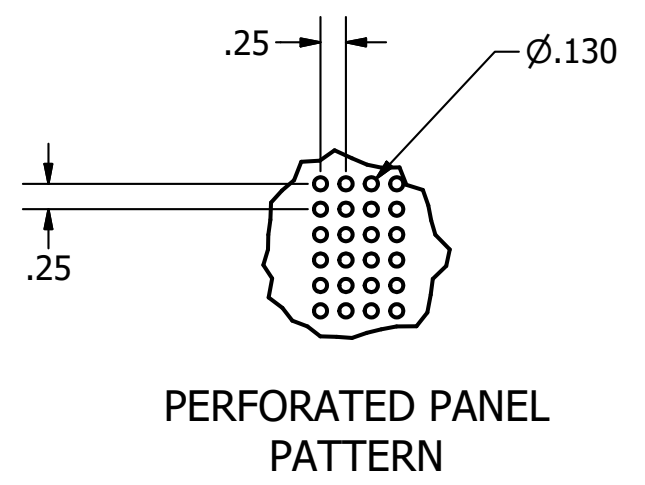
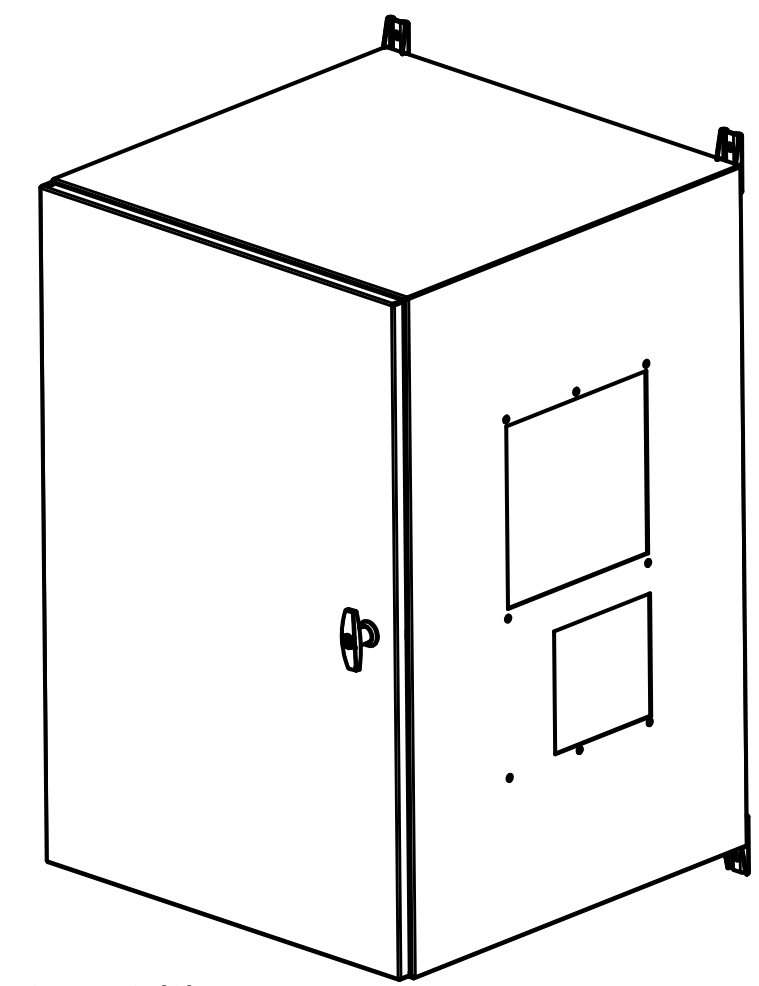


CATALOG NO.	DESCRIPTION	HEIGHT "A"	MTG HEIGHT "B"	RACK UNITS	A/C CUTOUT
IR222APG	IND REBOX,24H,24W,24D,AC3, GRAY	24.00	25.5	12U	YES
IR322APG	IND REBOX,36H,24W,24D,AC3, GRAY	36.00	37.5	19U	YES
IR222PG	IND REBX,24H,24W,24D,PRECNFG,GRAY	24.00	25.5	12.00	NO
IR322PG	IND REBX,36H,24W,24D,PRECNFG,GRAY	36.00	37.5	19.00	NO
IR422PG	IND REBX,48H,24W,24D,PRECNFG,GRAY	48.00	49.5	26.00	NO

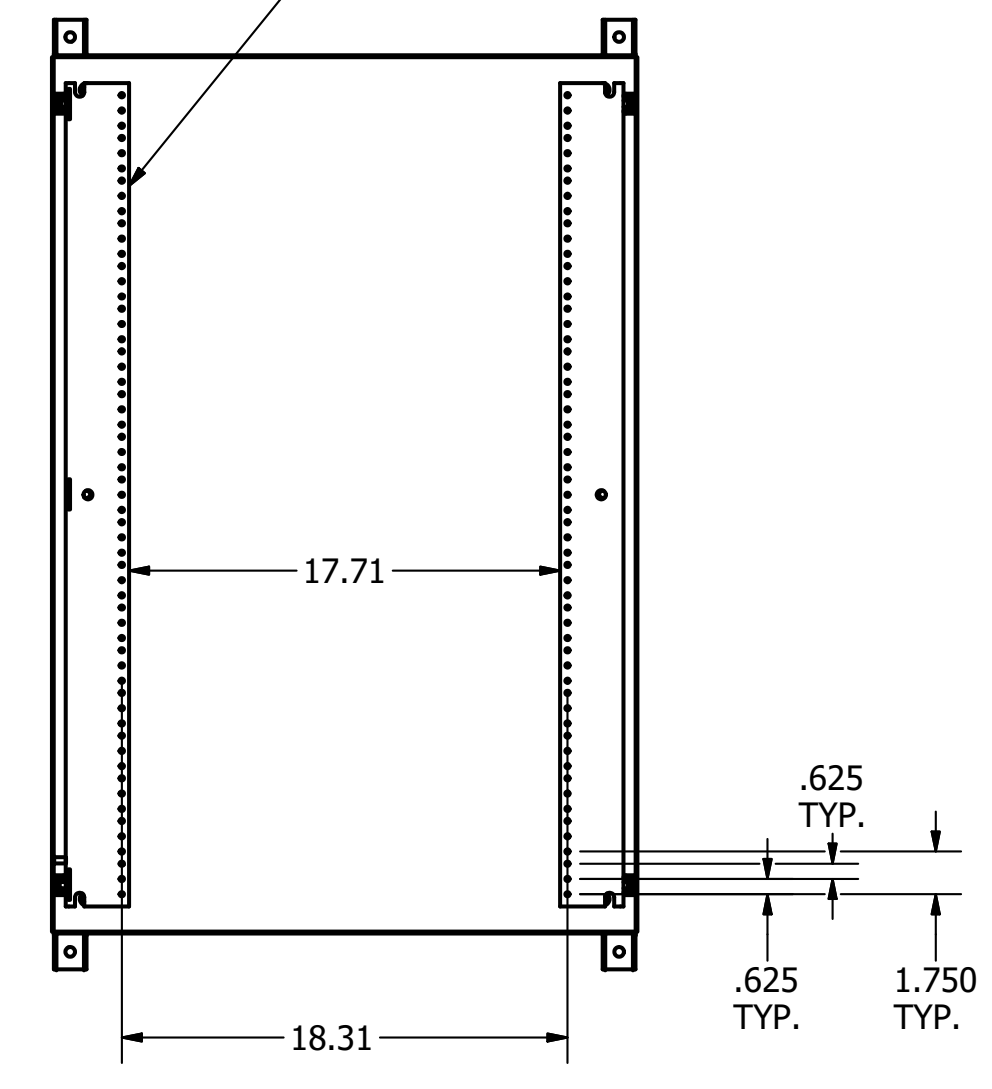
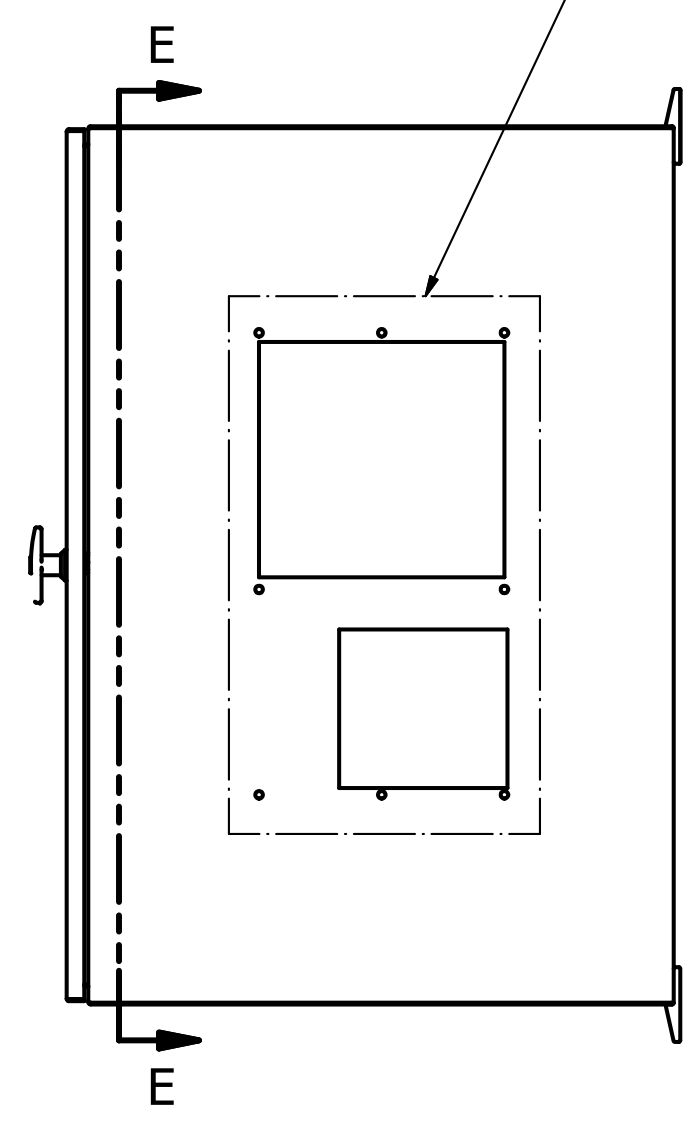
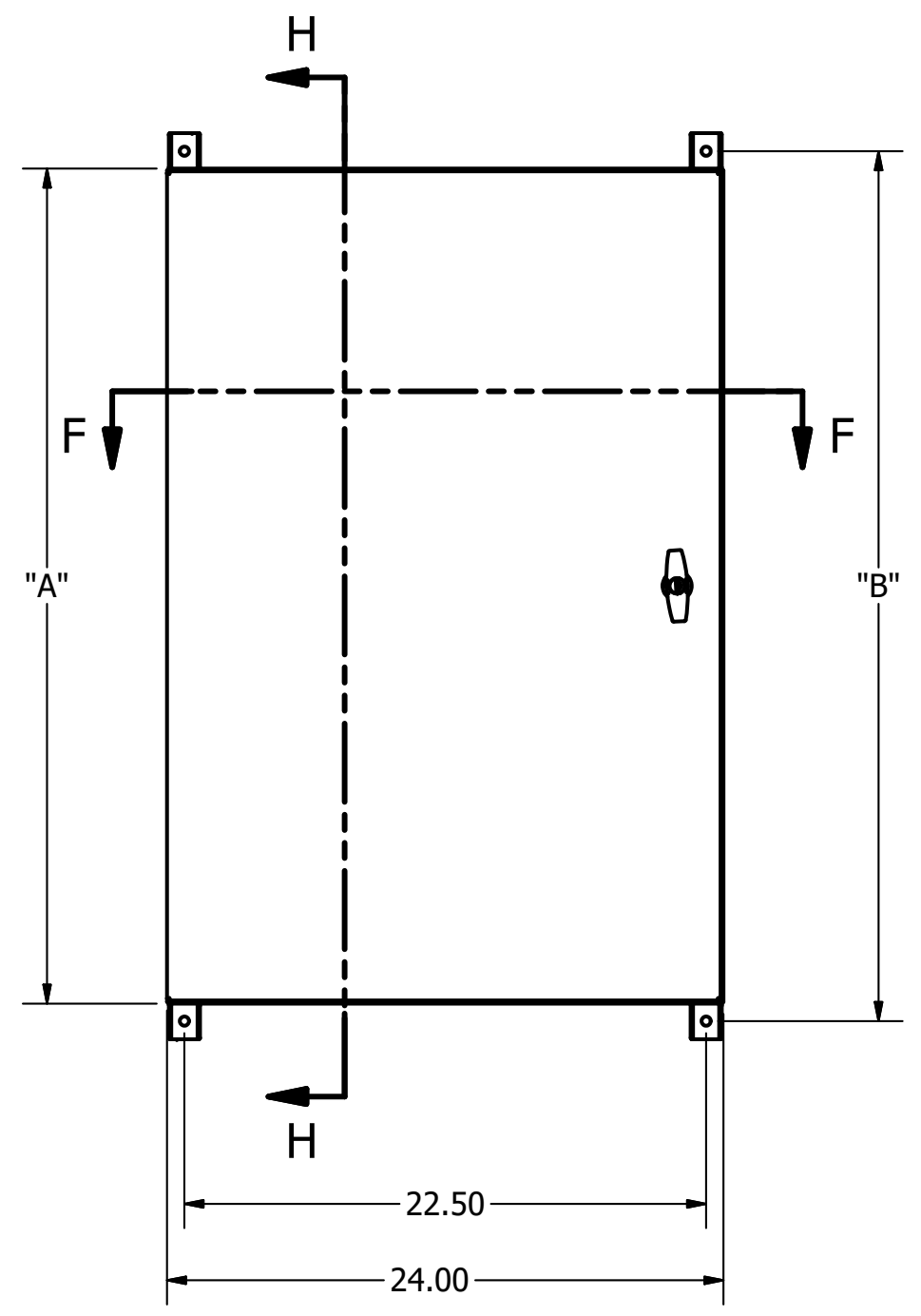
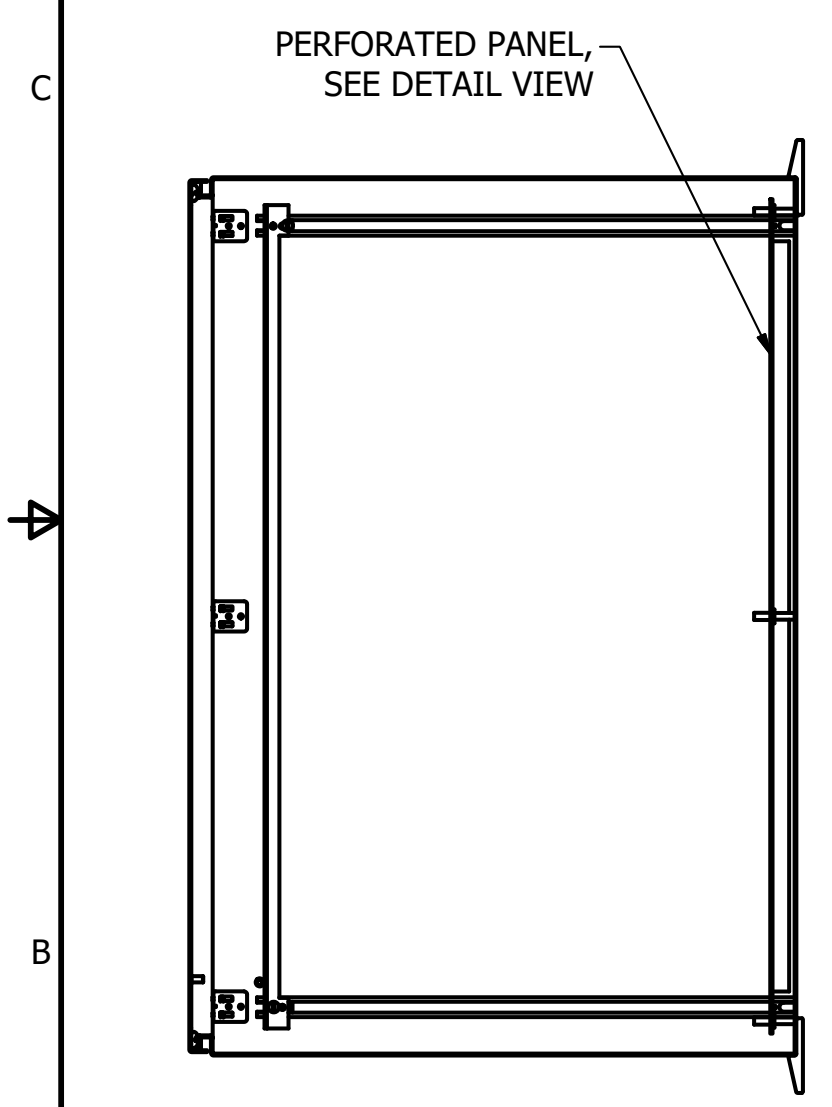
NOTES:

- SURFACE FINISH: ANSI 61 GRAY POLYESTER POWDER
- HARDWARE KIT INCLUDES:
 (50) #12-24 X 5/8 PHILIPS HEAD SCREW
 (50) #12 NYLON WASHER
- SPECIFICATIONS SUBJECT TO CHANGE WITHOUT NOTICE.



A/C CUTOUT, SEE TABLE IF APPLICABLE ACCEPTS IRAC3 AIR CONDITIONER (SOLDE SEPARATELY)

MOUNTING RAILS (2), #12-24 TAPPED HOLES EIA UNIVERSAL PATTERN



SECTION E-E

REV.	ECN	DATE	DESCRIPTION	CHG BY	APPD BY
4	22621	06/06/18	UPDATED TABLE CALLOUT	MMA	DO

Created on INVENTOR

DIMENSIONING AND TOLERANCE PER ANSI Y14.5M-1982 UNLESS OTHERWISE SPECIFIED, DIMENSIONS ARE IN INCHES (MM). TOLERANCES: XX = ±.01 (.25) .XXX = ±.005 (.127) .XXXX = ±.0025 (.0635) ANGLE TOL ±1°

IN ACCEPTING OUR DRAWINGS, BLUEPRINTS, OR SUPPORTING DOCUMENTATION FOR QUOTATION OR OTHER PURPOSES, YOU AGREE NOT TO DISCLOSE TO OTHERS THE IDEAS, INFORMATION, OR DESIGNS SHOWN HEREIN, AND THAT YOU WILL MAKE NO USE OF SAME WITHOUT PERMISSION

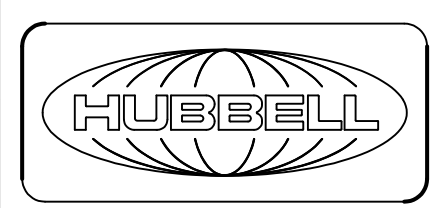
PROJECT REFERENCE:
061-15

MATERIAL:
CRS

DRAWN BY:
J. RUOTJACKSON 5/26/16

CHECKED BY:

APPROVED BY:



Hubbell Premise Wiring
HUBBELL INCORPORATED (Delaware)
23 CLARA DRIVE, SUITE 103 MYSTIC, CT 06355

TITLE:
INDUSTRIAL REBOX WITH A/C OPENING

SIZE: **C** DRAWING NO.: **HWS14602C** REV.: **4**

SCALE: N/A SHEET 1 OF 1