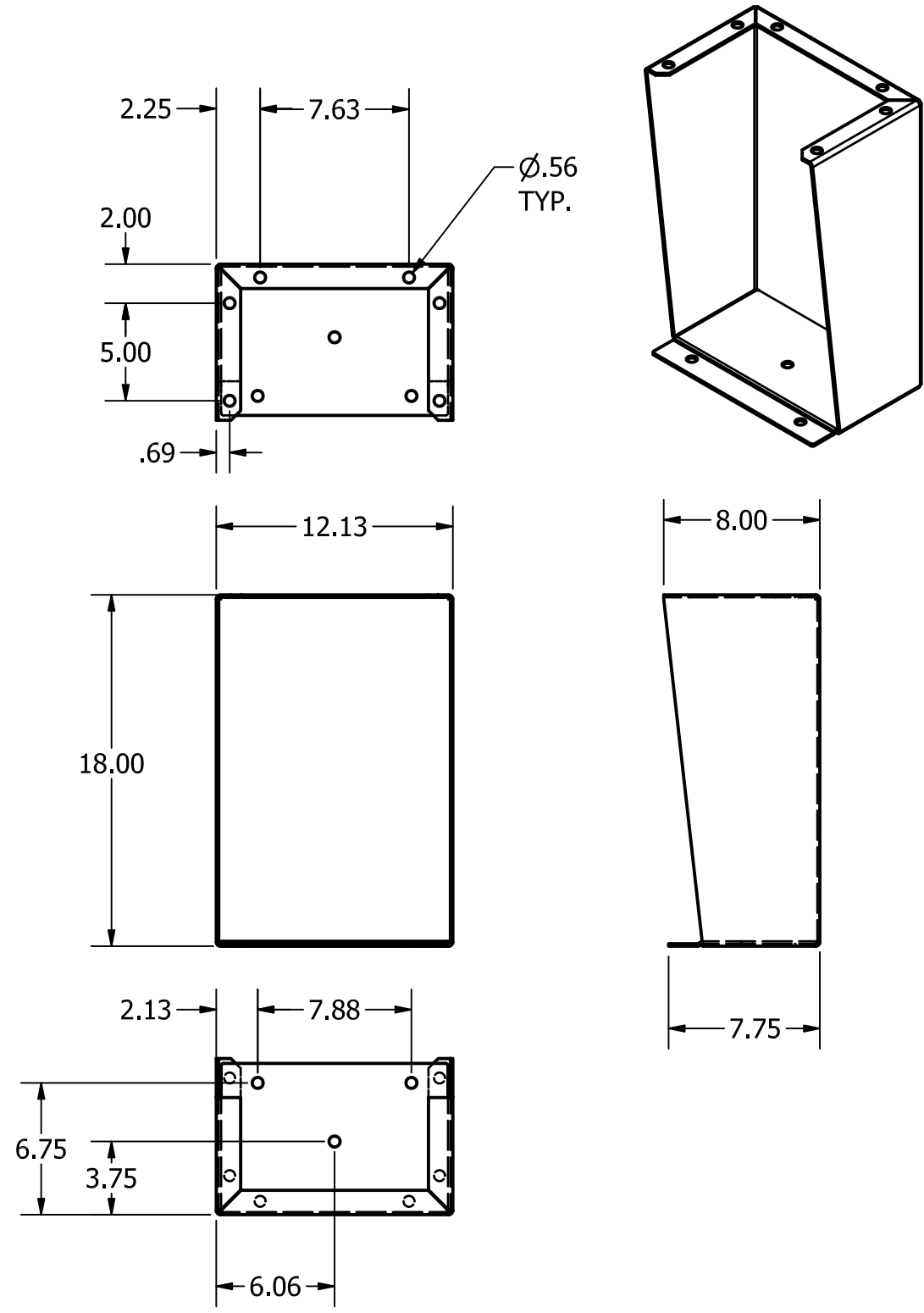


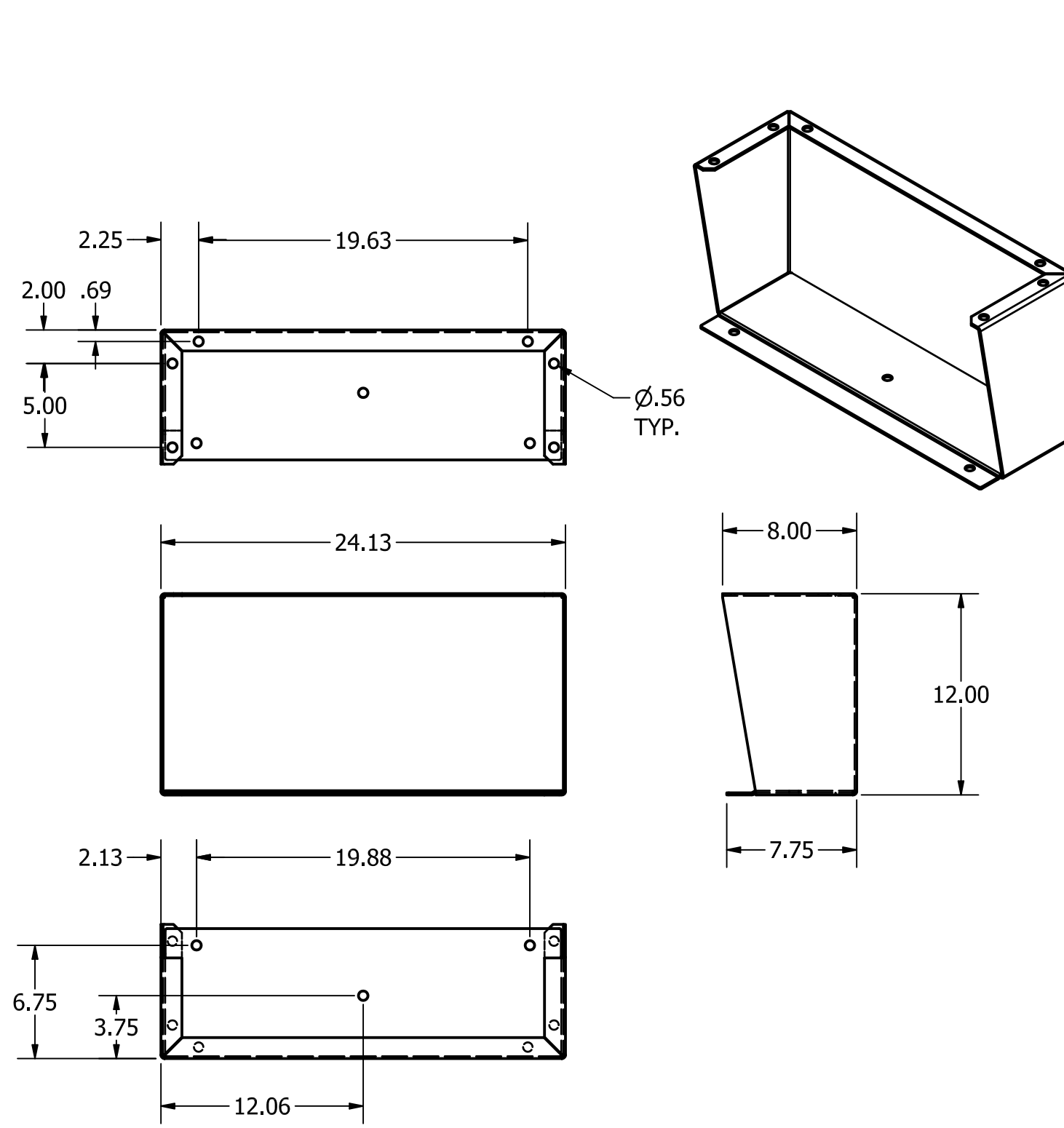
CATALOG NO.	DESCRIPTION
IRF1812	IND REBX,FLOOR STAND,18H,12D
IRF1224	IND REBX,FLOOR STAND,12H,24D

NOTES:

1. SURFACE FINISH: ANSI 61 GRAY POLYESTER POWDER
2. KIT CONTAINS:
 (2) STAND, SEE TABULATION FOR SIZE
 (1) HARDWARE PACK CONTAINING MOUNTING BOLTS AND NUTS
3. SPECIFICATIONS SUBJECT TO CHANGE WITHOUT NOTICE.



STAND FOR IRF1812



STAND FOR IRF1224

REV.	ECN	DATE	DESCRIPTION	CHG BY	APPD BY
1	21405	07/18/16	INITIAL RELEASE	JJRJ	MMA

Created on INVENTOR	DIMENSIONING AND TOLERANCE PER ANSI Y14.5M-1982 UNLESS OTHERWISE SPECIFIED, DIMENSIONS ARE IN INCHES (MM). TOLERANCES: XX = ±.01 (.25) .XXX = ±.005 (.127) .XXXX = ±.0025 (.0635) ANGLE TOL ±1°		PROJECT REFERENCE: 061-15
	IN ACCEPTING OUR DRAWINGS, BLUEPRINTS, OR SUPPORTING DOCUMENTATION FOR QUOTATION OR OTHER PURPOSES, YOU AGREE NOT TO DISCLOSE TO OTHERS THE IDEAS, INFORMATION, OR DESIGNS SHOWN HEREIN, AND THAT YOU WILL MAKE NO USE OF SAME WITHOUT PERMISSION		MATERIAL: 10 Ga. C.R.S.
			DRAWN BY: JRUOTJACKSON 7/18/16 / MABBY
			CHECKED BY:
		APPROVED BY:	TITLE: INDUSTRIAL REBOX FOOT KIT

 Hubbell Premise Wiring HUBBELL INCORPORATED (Delaware) 23 CLARA DRIVE, SUITE 103 MYSTIC, CT 06355		SIZE	DRAWING NO.	REV.
		C	HWS14603C	1
SCALE:		SHEET 1 OF 1		