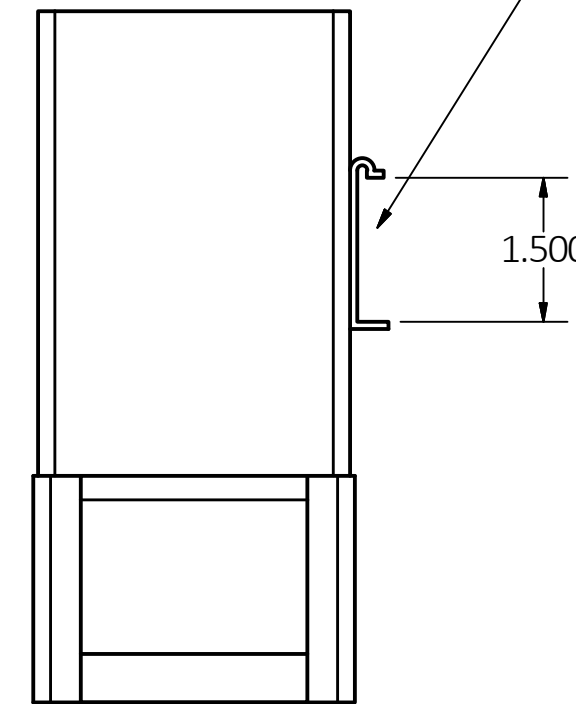
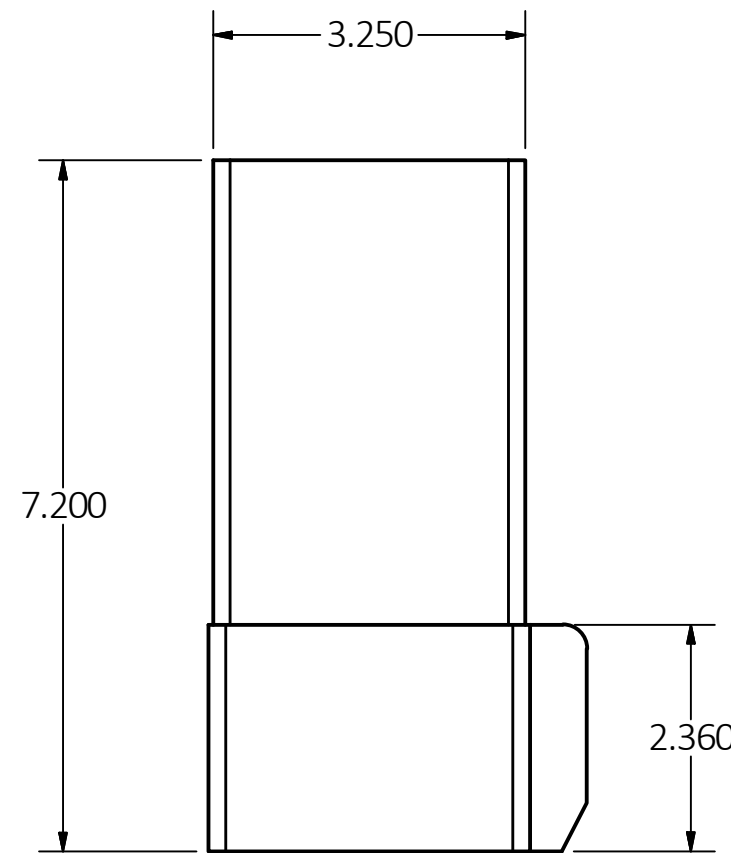
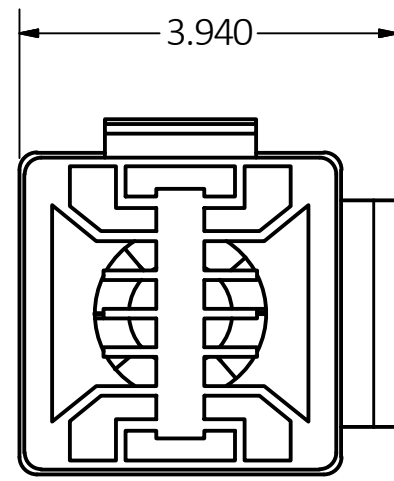
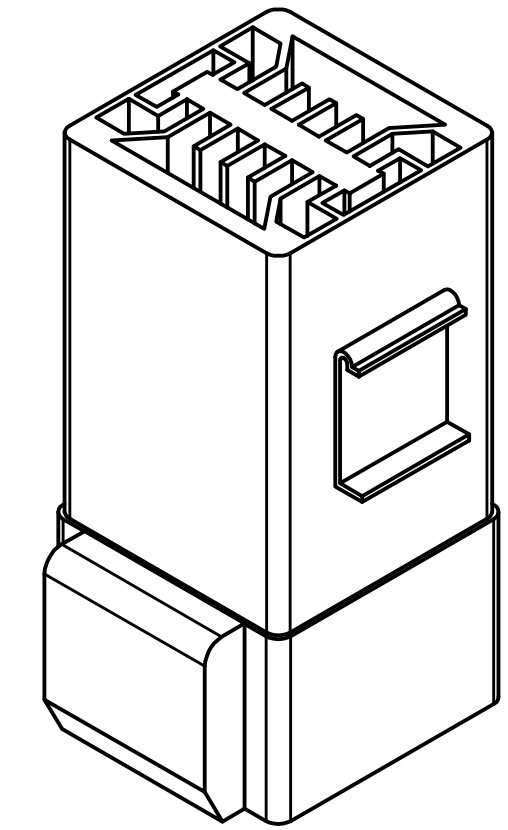
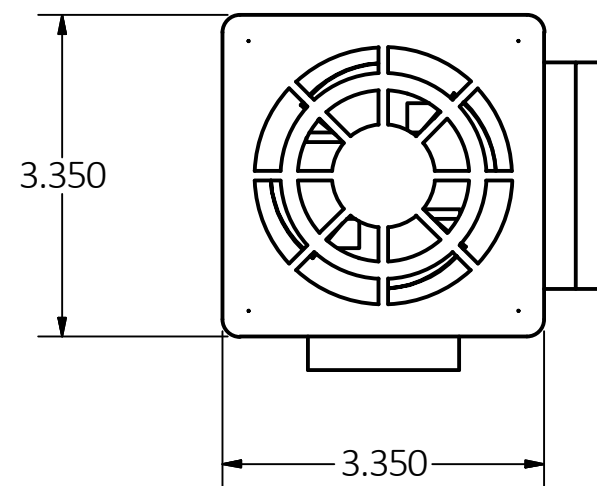
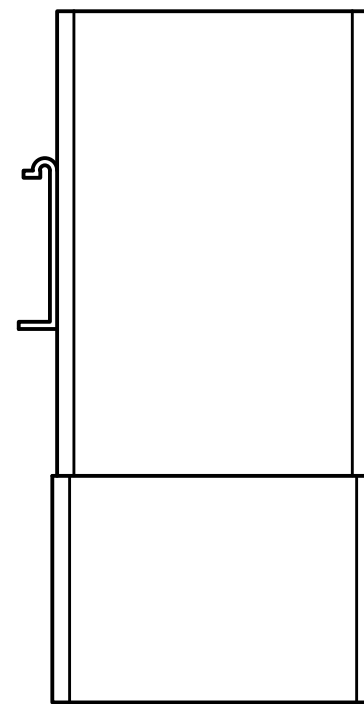


CATALOG	DESCRIPTION
IRH250	HEATER, 250 WATT, 110V
IRH400	HEATER, 400 WATT, 110V



MOUNTS TO 35mm DIN RAIL



NOTES:

- Heating element resistance - micanite
- Overheat protection built-in temperature limiter
- Heater body extruded aluminum, anodized
- Surface temperature 400W heater - max. 167°F (75°C)
- Axial fan, ball bearing service life 50,000h at 77°F (25°C)
- Air flow, free blowing AC: 26 cfm (45m³/h) - 50Hz; 32 cfm (54m³/h) - 60Hz  
DC: 32 cfm (54m³/h)
- Connection 3-pole terminal AWG 16 max. (1.5mm²) with strain relief, clamping torque 0.8Nm max.
- Connection housing plastic, UL 94V-0, black
- Mounting clip for 35mm DIN rail, EN 60 715
- Mounting position vertical
- Operating / Storage temperature -49 to +158°F (-45 to +70°C)
- Protection class I (grounded)
- Protection type IP20
- Note: In the case of 24VDC and 48VDC, the fan heater must be switched via a relay.

SPECIFICATIONS SUBJECT TO CHANGE WITHOUT NOTICE.

Created on INVENTOR	DIMENSIONING AND TOLERANCE PER ANSI Y14.5M-1982 UNLESS OTHERWISE SPECIFIED, DIMENSIONS ARE IN INCHES (MM). TOLERANCES: XX = ±.01 (.25) .XXX = ±.005 (.127) .XXXX = ±.0025 (.0635) ANGLE TOL ±1°		PROJECT REFERENCE: 047-17			Hubbell Premise Wiring HUBBELL INCORPORATED (Delaware) 23 CLARA DRIVE, SUITE 103 MYSTIC, CT 06355	
	IN ACCEPTING OUR DRAWINGS, BLUEPRINTS, OR SUPPORTING DOCUMENTATION FOR QUOTATION OR OTHER PURPOSES, YOU AGREE NOT TO DISCLOSE TO OTHERS THE IDEAS, INFORMATION, OR DESIGNS SHOWN HEREIN, AND THAT YOU WILL MAKE NO USE OF SAME WITHOUT PERMISSION		MATERIAL: SEE NOTES				
			DRAWN BY: D.OCONNOR 11/10/17		SIZE C	DRAWING NO. HWS14775C	REV. 1
			CHECKED BY:		SCALE:		SHEET 1 OF 1
		APPROVED BY:					

REV.	ECN	DATE	DESCRIPTION	CHG BY	APPD BY
1	22532	11/10/17	INITIAL RELEASE	DPO	MMA