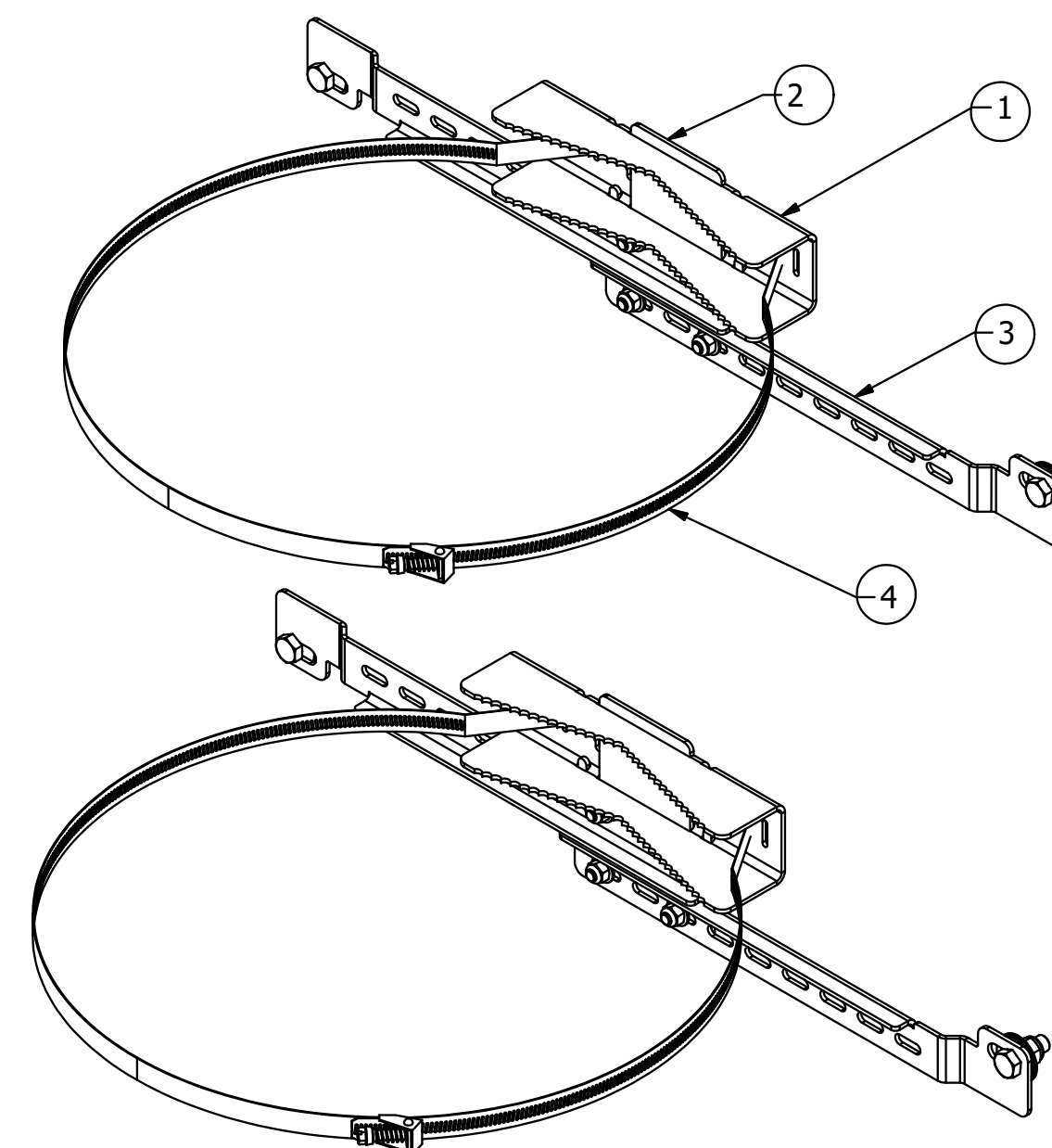
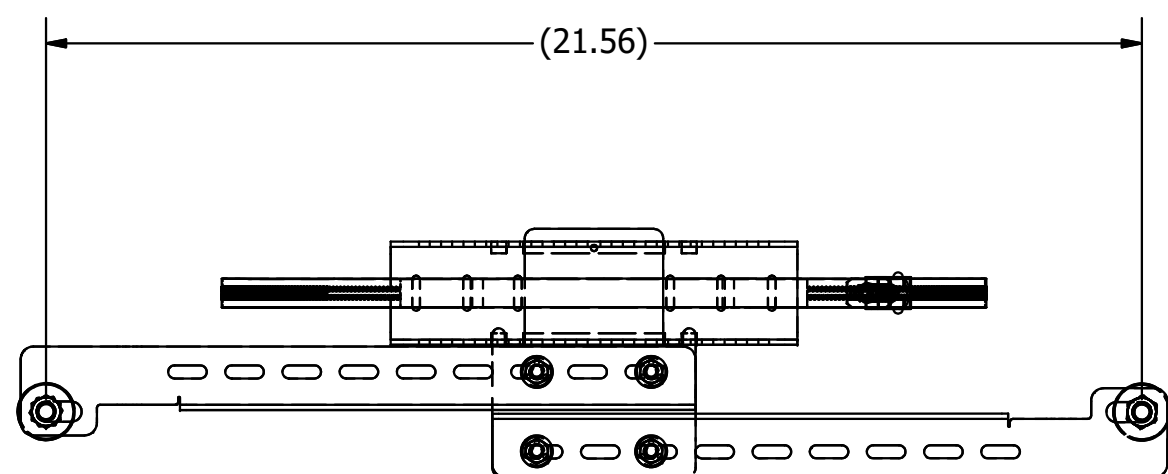


CATALOG NO.	DESCRIPTION	FINISH
IRPKSG	IR POLE MNT KIT,GRAY	GRAY ANSI-61 POWDER COAT
IRPKSS	IR POLE MNT KIT,SS	STAINLESS STEEL

ITEM	DESCRIPTION	QTY
1	POLE MOUNTING BRACKET	2
2	CENTER BRACKET	2
3	ARM BRACKET	4
4	9/16" HOSE CLAMP	2
5	HARDWARE PACK (NOT SHOWN)	1
6	INSTRUCTION SHEET	1

NOTES:

1. KIT SHIPPES UNASSEMBLED.
2. SURFACE FINISH: SEE TABULATION.
3. SPECIFICATIONS SUBJECT TO CHANGE WITHOUT NOTICE.



REV.	ECN	DATE	DESCRIPTION	CHG BY	APPD BY
1	22613	5/18/18	INITIAL RELEASE	MMA	DO

Created on INVENTOR

DIMENSIONING AND TOLERANCE PER ANSI Y14.5M-1982
UNLESS OTHERWISE SPECIFIED, DIMENSIONS ARE IN INCHES (MM).
TOLERANCES.XX = ±.01 (.25)
.XXX = ±.005 (.127)
.XXXX = ±.0025 (.0635)
ANGLE TOL ±1°

IN ACCEPTING OUR DRAWINGS, BLUEPRINTS, OR SUPPORTING DOCUMENTATION FOR QUOTATION OR OTHER PURPOSES, YOU AGREE NOT TO DISCLOSE TO OTHERS THE IDEAS, INFORMATION, OR DESIGNS SHOWN HEREIN, AND THAT YOU WILL MAKE NO USE OF SAME WITHOUT PERMISSION

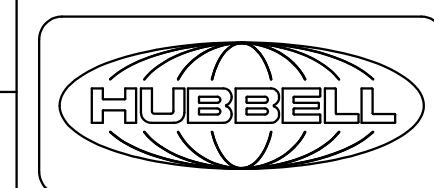
PROJECT REFERENCE:
021-18

MATERIAL:
STEEL

DRAWN BY:
MABBY 5/16/18

CHECKED BY:

APPROVED BY:



Hubbell Premise Wiring
HUBBELL INCORPORATED (Delaware)
23 CLARA DRIVE, SUITE 103 MYSTIC, CT 06355

TITLE:
IND REBOX POLE KIT

SIZE: **C** DRAWING NO.: **HWS14805C** REV.: **1**

SCALE: N/A SHEET 1 OF 1