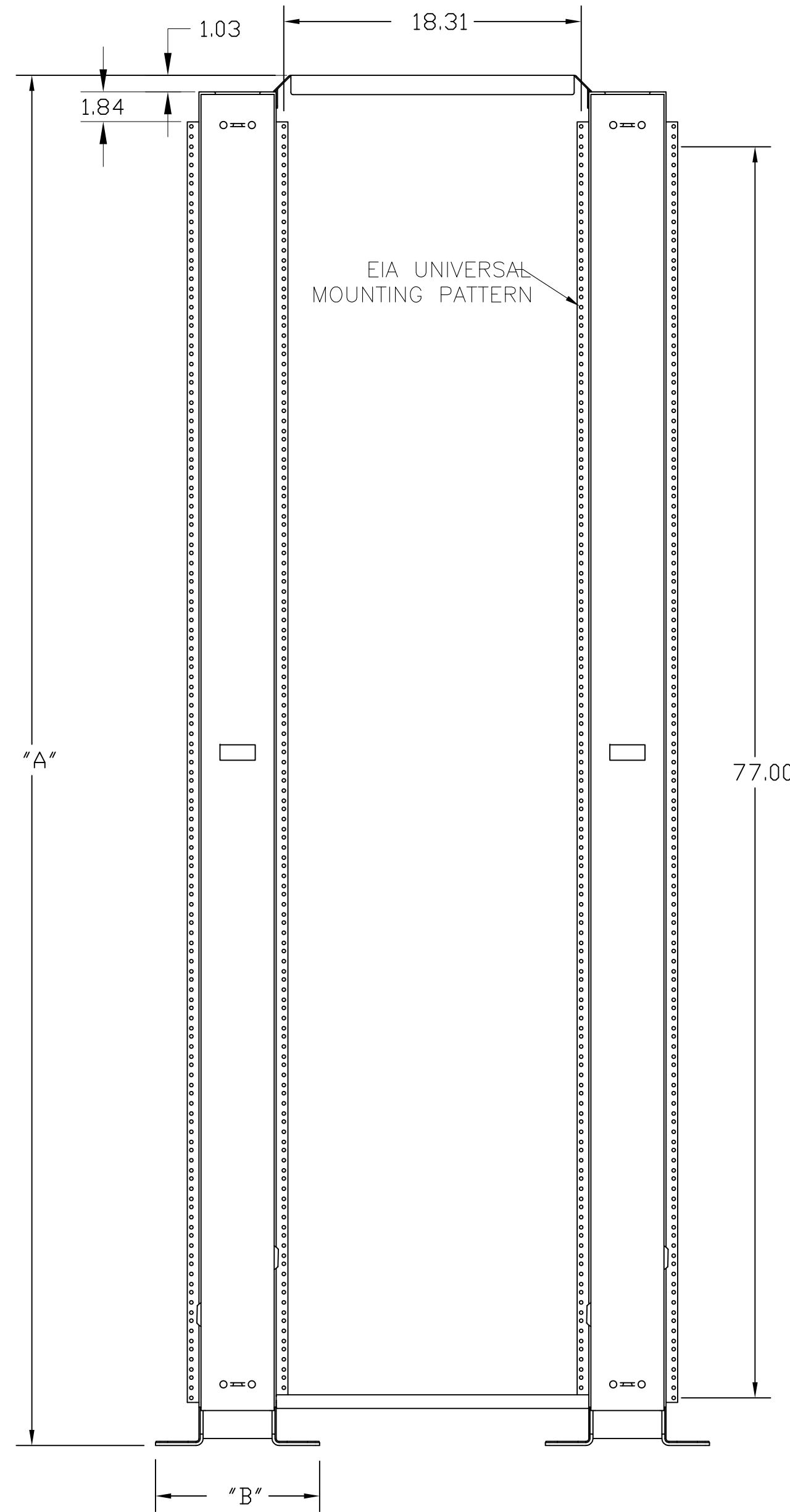
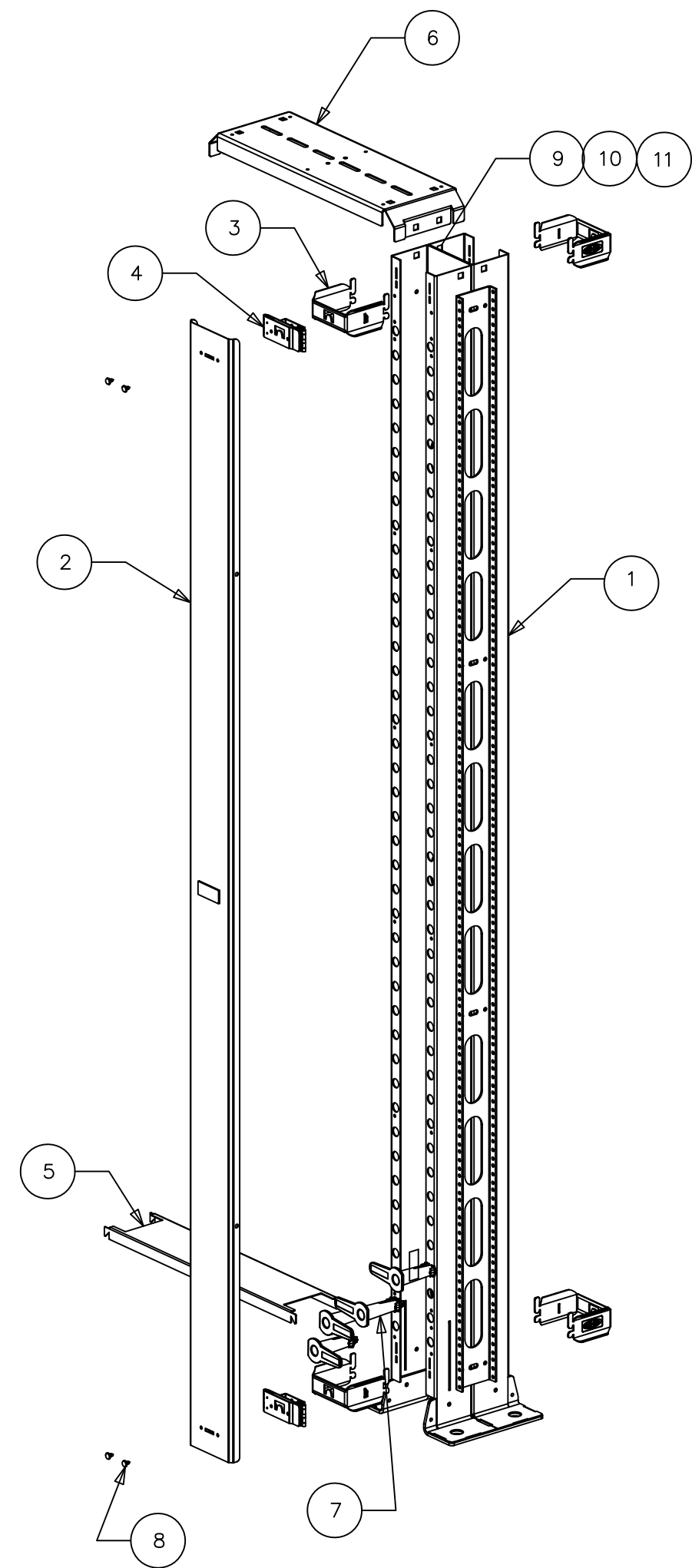
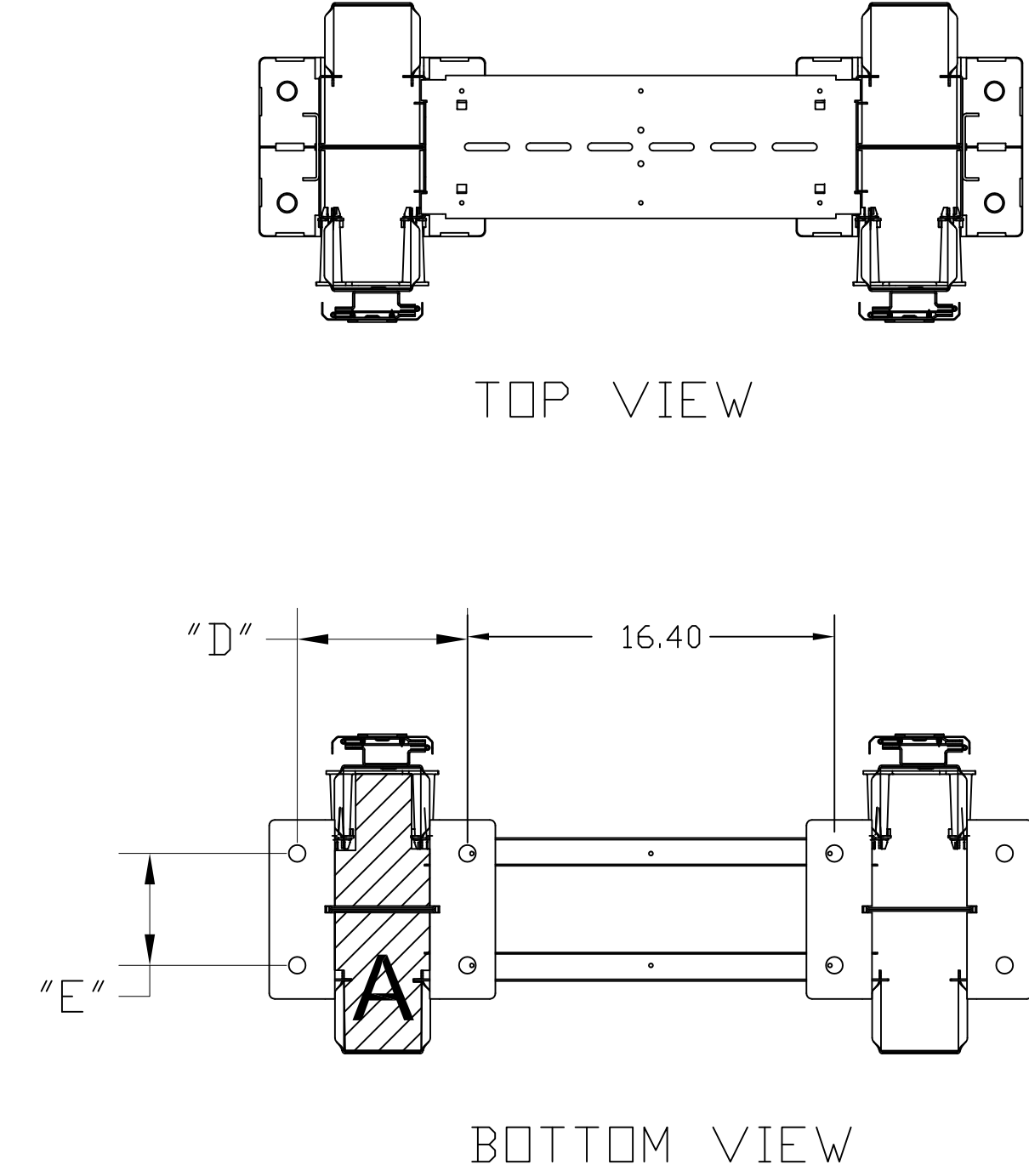
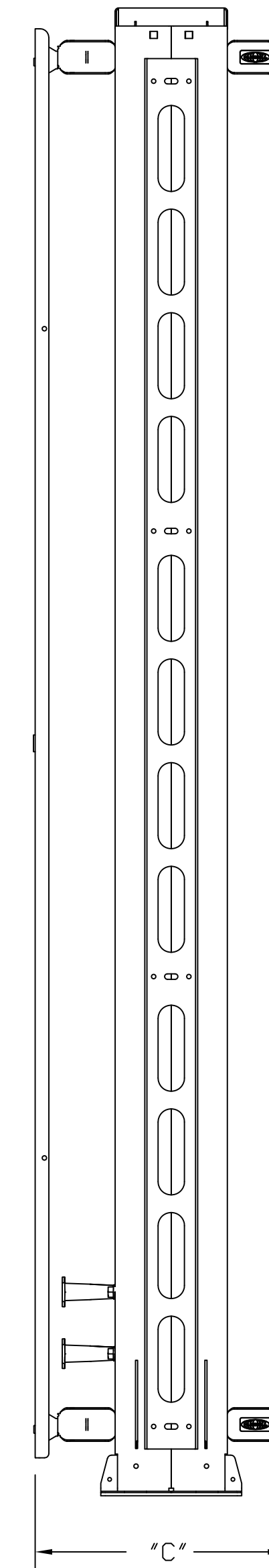


ITEM NO.	DESCRIPTION	QTY
1	COLUMN	1
2	FRONT COVER	1
3	DOOR MOUNTING BRACKET	4
4	DUAL HINGE BRACKET	2
5	BOTTOM COLUMN SPACER	1
6	TOP COLUMN SPACER	1
7	SPOOL	50
8	PUSH PIN	8
9	3/8-16 X 3/4 CARR. BOLT	4
10	3/8-16 KEPS NUT	4
11	SQUARE HOLE FLAT WASHER	2
12	3/8" X 3-3/4" TRUBOLT ANCHOR	4
13	HEAVY DUTY SQUARE WASHER	4
14	1/16" THK 1/2" SLOT PLASTIC SHIM	4
15	MTG HDW PACK, SEE TABULATION	1
16	INSTRUCTION SHEET	1

CATALOG NO.	DESCRIPTION	HARDWARE PACK (ITEM 15)	"A"	"B"	"C"	"D"	"E"
IS7	7FT H 5"W 12"DP IFRAME, #12-24 TAPPED HOLES	<20> #12-24X5/8 SCREWS AND WASHERS	84.33	10.10	14.17	7.60	5.00
IS7M6	7FT H 5"W 12"DP IFRAME, SQUARE HOLES	<50> M6X16 SCREWS, WASHERS, CAGE NUTS	84.33	10.10	14.17	7.60	5.00
IS7RFM6	7FT H 5"W 12"DP IFRAME FOR 12" RAISED FLOOR, SQUARE HOLES	<50> M6X16 SCREWS, WASHERS, CAGE NUTS	96.33	10.10	14.17	7.60	5.00
IS70920	7FT H 9"W 20"DP IFRAME, #12-24 TAPPED HOLES	<20> #12-24X5/8 SCREWS AND WASHERS	84.33	14.10	20.72	11.60	7.00
IS70718	7FT H 7"W 18"DP IFRAME, #12-24 TAPPED HOLES	<20> #12-24X5/8 SCREWS AND WASHERS	84.33	12.10	17.57	9.60	8.50



SHOWN WITH <2> COLUMNS



	CABLE CAPACITY PER ONE COLUMN			
	CROSS-SECTION AREA [SQ. IN.] A	.25 DIA CABLES (C5e)	.29 DIA CABLES (C6)	.34 DIA CABLES (C6A)
IS7	44	359	267	194
IS70718	90	734	545	397
IS70920	134	1092	812	591

- NOTES:
1. FINISH: BLACK POWDER COAT
 2. UL 1863 LISTED.
 5. SPECIFICATION SUBJECT TO CHANGE WITHOUT NOTICE.

Created on AUTOCAD	DIMENSIONING AND TOLERANCE PER ANSI Y14.5M-1982, UNLESS OTHERWISE SPECIFIED, DIMENSIONS ARE IN INCHES (MM). TOLERANCES: .X = ±.03 (.8) .XX = ±.02 (.4) .XXX = ±.010 (.25) ANGLE TOL ±1°		PROJECT REFERENCE:		Hubbell Premise Wiring HUBBELL INCORPORATED (Delaware) 23 CLARA DRIVE, SUITE 103 MYSTIC, CT 06355
	IN ACCEPTING OUR DRAWINGS, BLUEPRINTS, OR SUPPORTING DOCUMENTATION FOR QUOTATION OR OTHER PURPOSES, YOU AGREE NOT TO DISCLOSE TO OTHERS THE IDEAS, INFORMATION, OR DESIGNS SHOWN HEREIN, AND THAT YOU WILL MAKE NO USE OF SAME WITHOUT PERMISSION		MATERIAL: C.R.S.		
	DRAWN BY: M. ABBY 05/24/06		CHECKED BY:		SIZE: D
	APPROVED BY:		DRAWING NO.: HWS12166C		REV.: E
		SCALE: N/A		SHEET 1 OF 1	

REV.	ECN	DATE	DESCRIPTION	CHG BY	APPD BY
E	19609	03/27/15	ADDED TWO CARRIAGE BOLTS AND NUTS.	MMA	