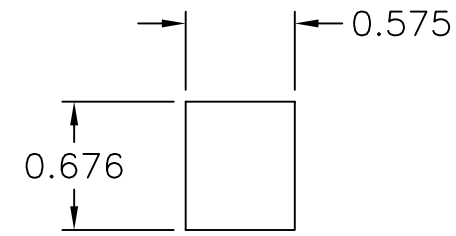
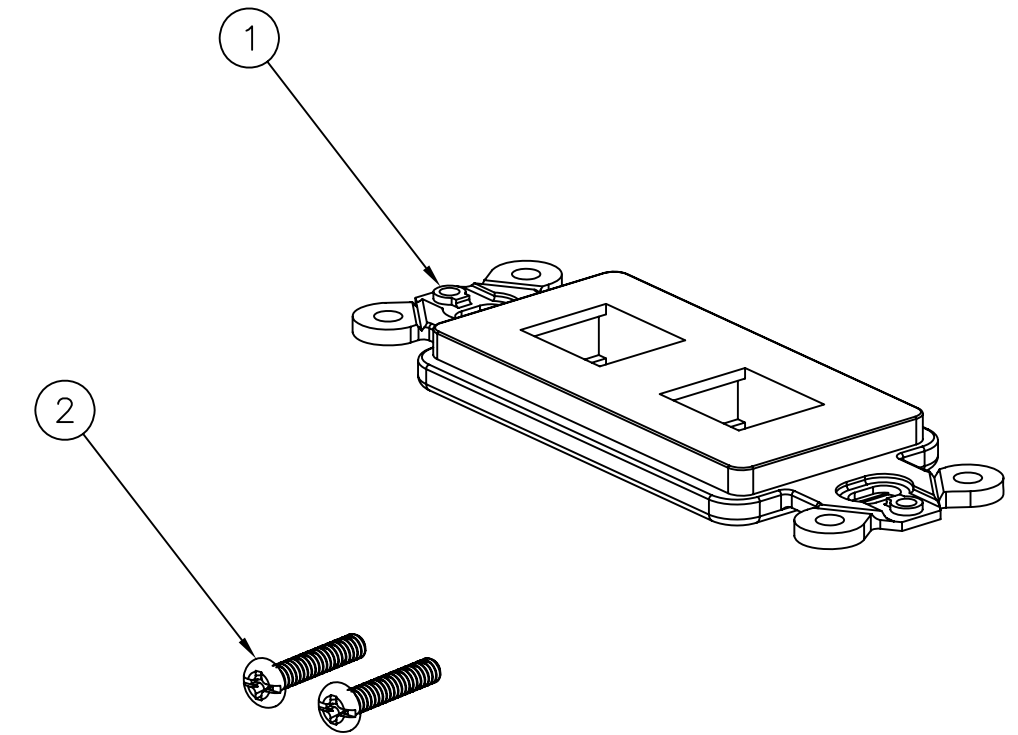
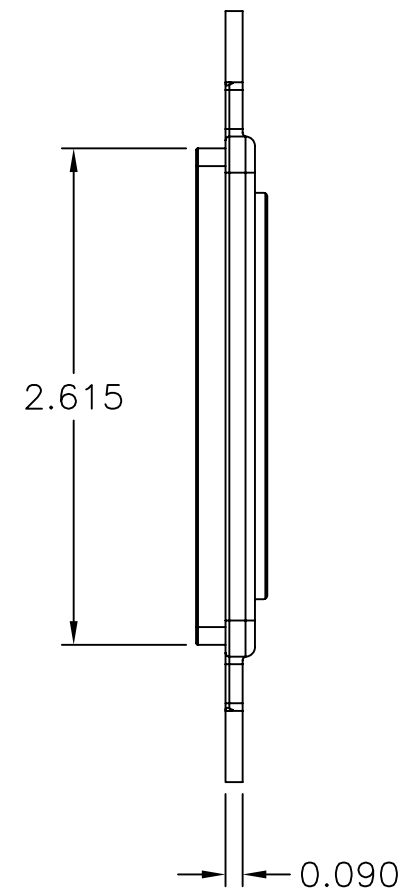
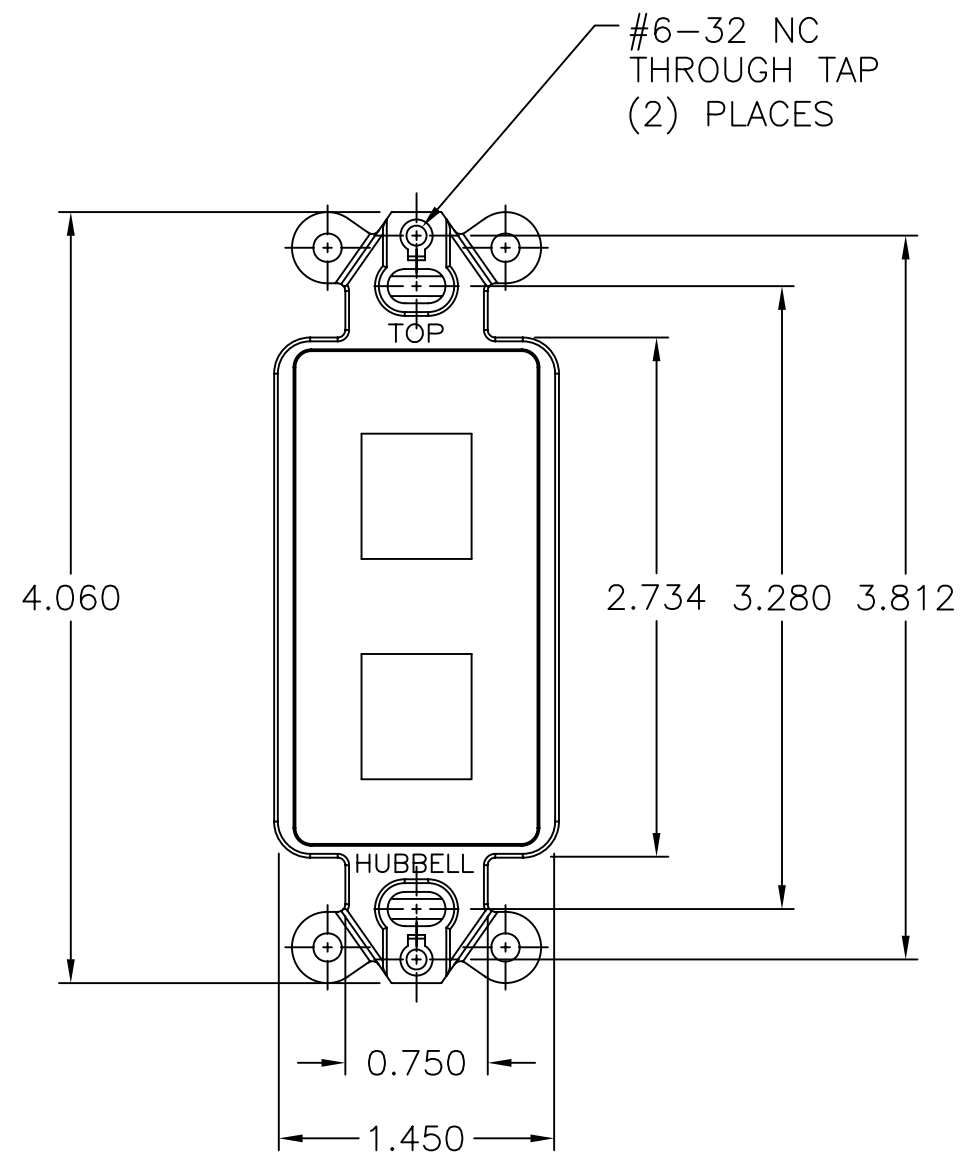
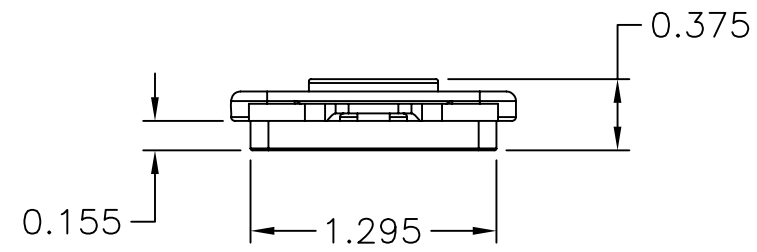


ITEM NO.	DESCRIPTION	QTY.
1	FRAME, 2 PORT ISF	1
2	SCREW, 6-32 PAN HD-SPECIAL	2
3	INSTRUCTION SHEET, ISF SERIES	1

CATALOG NUMBER	COLOR	DESCRIPTION
ISF2BK	BLACK	FRAME, 2 PORT ISF
ISF2EI	ELECTRIC IVORY	FRAME, 2 PORT ISF
ISF2OW	OFFICE WHITE	FRAME, 2 PORT ISF
ISF2GY	GREY	FRAME, 2 PORT ISF
ISF2W	WHITE	FRAME, 2 PORT ISF
ISF2AL	ALMOND	FRAME, 2 PORT ISF
ISF2LA	LIGHT ALMOND	FRAME, 2 PORT ISF
ISF2BN	BROWN	FRAME, 2 PORT ISF




KEYSTONE OPENING
(2) PLACES



NOTES

UNLESS OTHERWISE SPECIFIED:

1. UL LISTED;
2. STANDARD NEMA RECTANGULAR OPENING (WD60S2)
3. SPECIFICATIONS SUBJECT TO CHANGE WITHOUT NOTICE

Created on AUTOCAD	DIMENSIONING AND TOLERANCE PER ANSI Y14.5M-1982 UNLESS OTHERWISE SPECIFIED, DIMENSIONS ARE IN INCHES (MM). TOLERANCES .XX = ±.01 (.25) .XXX = ±.005 (.127) .XXXX = ±.0025 (.0635) ANGLE TOL ±1°		PROJECT REFERENCE:		 Hubbell Premise Wiring HUBBELL INCORPORATED (Delaware) 14 Lord's Hill Road, Stonington, Connecticut 06378
	IN ACCEPTING OUR DRAWINGS, BLUEPRINTS, OR SUPPORTING DOCUMENTATION FOR QUOTATION OR OTHER PURPOSES, YOU AGREE NOT TO DISCLOSE TO OTHERS THE IDEAS, INFORMATION, OR DESIGNS SHOWN HEREIN, AND THAT YOU WILL MAKE NO USE OF SAME WITHOUT PERMISSION		MATERIAL:		
			DRAWN BY: PAUL S. MAGUIRE 02/13/02		TITLE: FRAME, 2 PORT ISF
			CHECKED BY:		SIZE: C DRAWING NO. C778178 REV. D
		APPROVED BY:		SCALE: 1/1 SHEET 1 OF 1	

REV.	ECN	DATE	DESCRIPTION	CHG BY	APPD BY
D	16447	7/13/10	ADDED BROWN COLOR	CG	
C	5870	6/8/06	ADDED LIGHT ALMOND CATALOG NUMBER	CD	
B	5678	8/11/05	ADDED ALMOND CATALOG NUMBER	CD	
A	4630	02/13/02	INITIAL RELEASE	PSM	