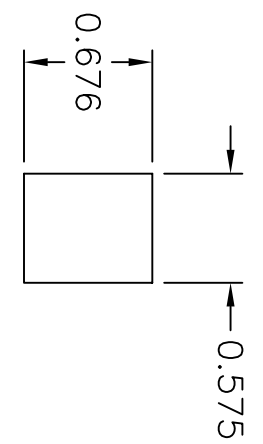
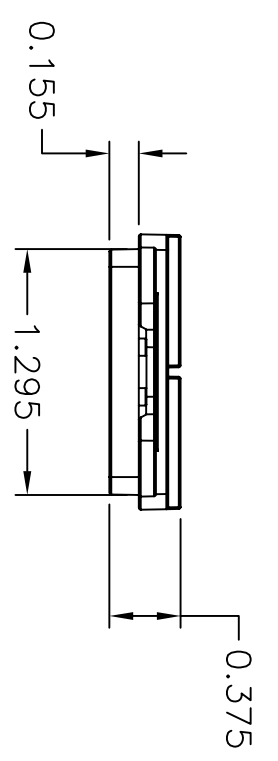


ITEM NO.	DESCRIPTION	QTY.
1	FRAME, 4 PORT ISF	1
2	SCREW, 6-32 PAN HD-SPECIAL	2
3	INSTRUCTION SHEET, ISF SERIES	1

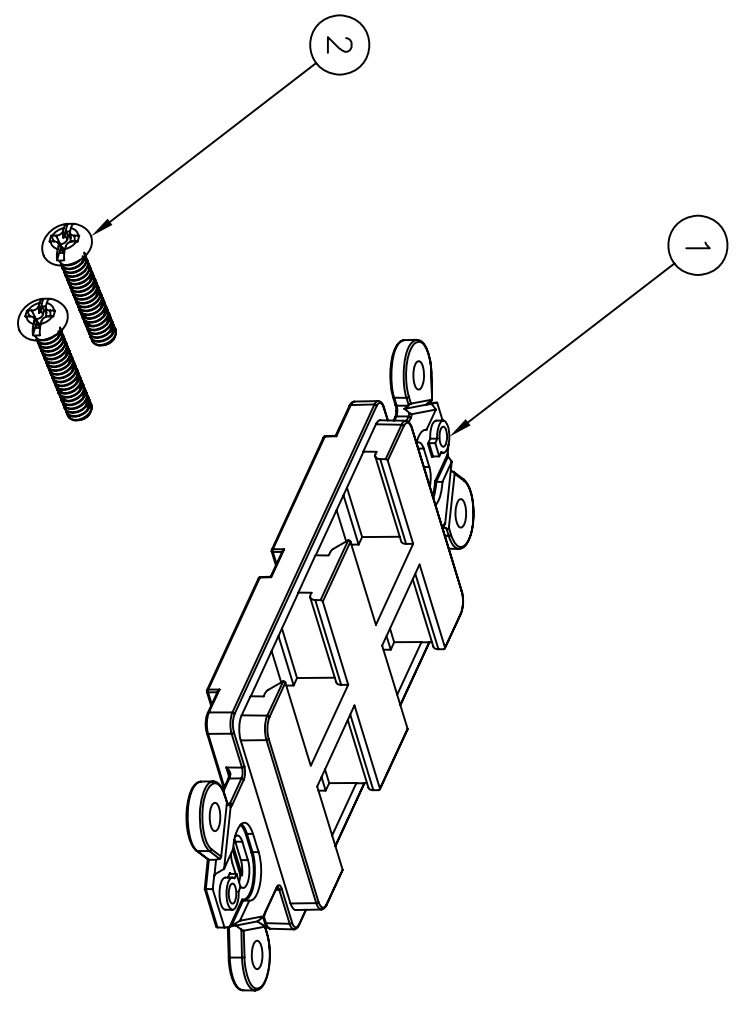
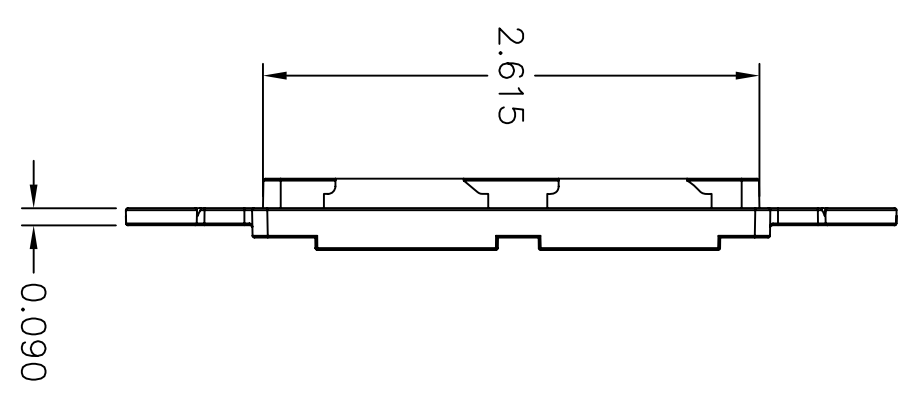
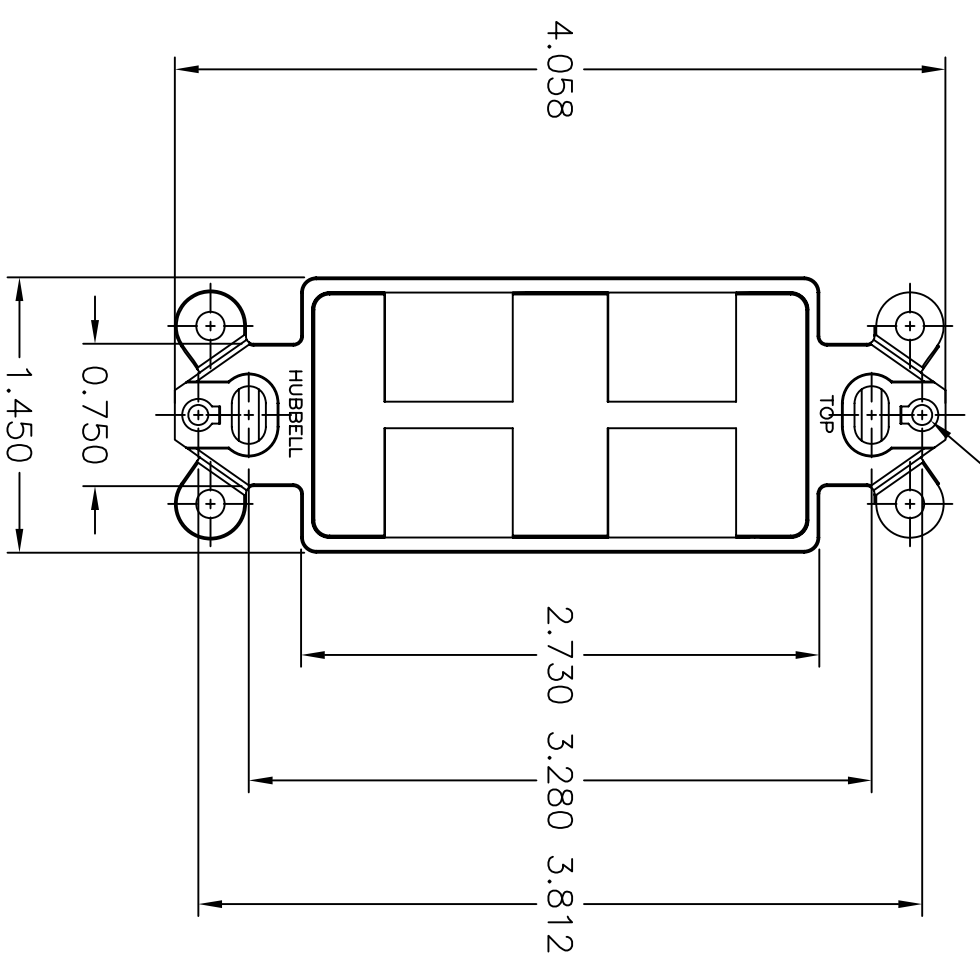


KEYSTONE OPENING  
(4) PLACES

CATALOG NUMBER	COLOR	DESCRIPTION
ISF4BK	BLACK	FRAME, 4 PORT ISF
ISF4EI	ELECTRIC IVORY	FRAME, 4 PORT ISF
ISF4OW	OFFICE WHITE	FRAME, 4 PORT ISF
ISF4GY	GREY	FRAME, 4 PORT ISF
ISF4W	WHITE	FRAME, 4 PORT ISF
ISF4AL	ALMOND	FRAME, 4 PORT ISF
ISF4LA	LIGHT ALMOND	FRAME, 4 PORT ISF
ISF4BN	BROWN	FRAME, 4 PORT ISF



#6-32 NC  
THROUGH TAP  
(2) PLACES



NOTES

UNLESS OTHERWISE SPECIFIED:

- UL LISTED:
- STANDARD NEMA RECTANGULAR OPENING (WD60S2)
- SPECIFICATIONS SUBJECT TO CHANGE WITHOUT NOTICE

REV.	ECN	DATE	DESCRIPTION	CHG BY	APPD BY
D	16447	7/13/10	ADDED BROWN COLOR	CG	
C	5870	6/9/06	ADDED LIGHT ALMOND CATALOG NUMBER	CD	
B	5678	8/11/05	ADDED ALMOND CATALOG NUMBER	CD	
A	4630	02/13/02	INITIAL RELEASE	PSM	

Created on AUTOCAD

DIMENSIONING AND TOLERANCE PER  
ANSI Y14.5M-1982  
UNLESS OTHERWISE SPECIFIED,  
DIMENSIONS ARE IN INCHES (MM).  
TOLERANCES:  
.XX = ±.01 (.25)  
.XXX = ±.005 (.127)  
.XXXX = ±.0025 (.0635)  
ANGLE TOL #1°

PROJECT REFERENCE:  
MATERIAL:  
DRAWN BY:  
PAUL S. MAGUIRE 02/13/02  
CHECKED BY:  
APPROVED BY:

TITLE:  
Hubbell Premise Wiring  
HUBBELL INCORPORATED (Delaware)  
14 Lord's Hill Road, Stonington, Connecticut 06378

FRAME, 4 PORT ISF

SIZE: C  
DRAWING NO.: C773249  
SCALE: 1/1  
SHEET 1 OF 1

REV.: D