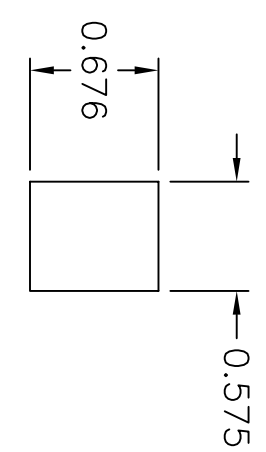
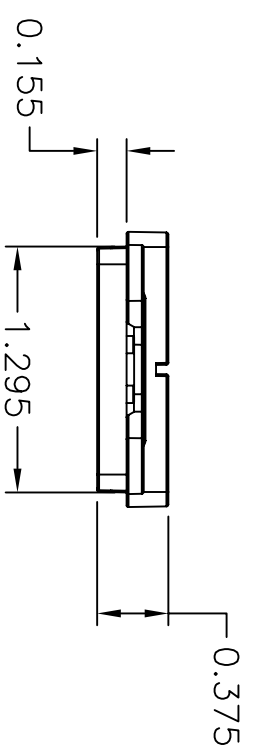


ITEM NO.	DESCRIPTION	QTY.
1	FRAME, 6 PORT ISF	1
2	SCREW, 6-32 PAN HD-SPECIAL	2
3	INSTRUCTION SHEET, ISF SERIES	1

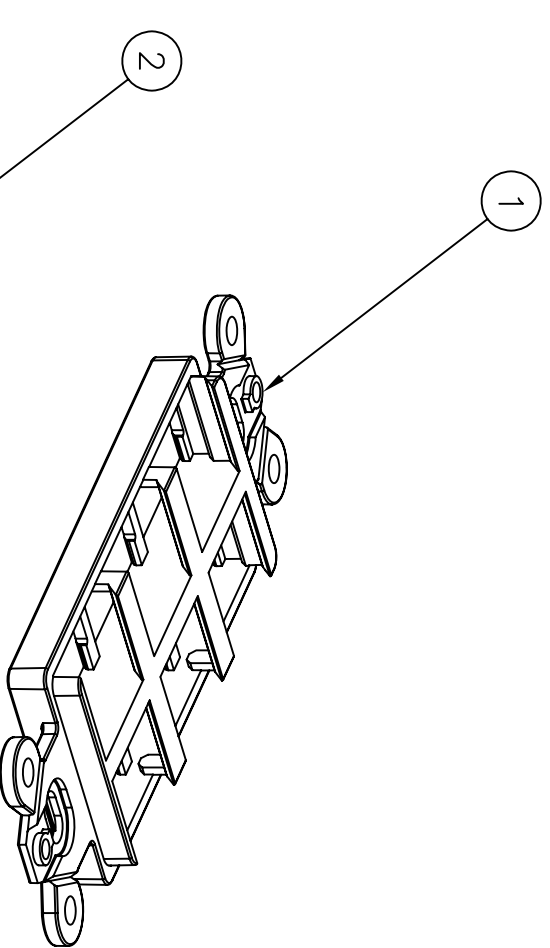
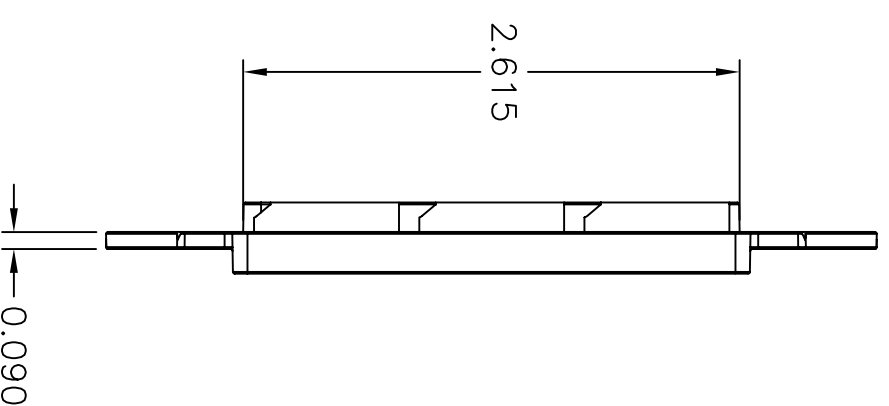
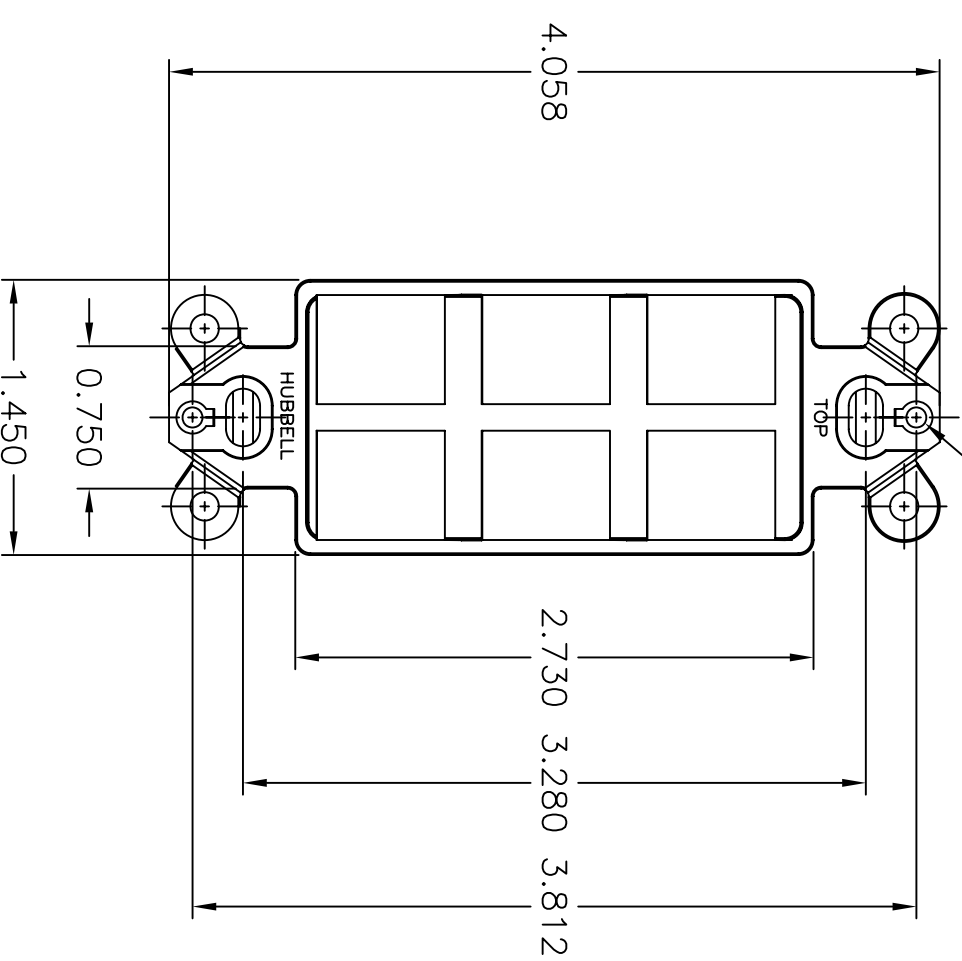


KEYSTONE OPENING  
(6) PLACES

CATALOG NUMBER	COLOR	DESCRIPTION
ISF6BK	BLACK	FRAME, 6 PORT ISF
ISF6EI	ELECTRIC IVORY	FRAME, 6 PORT ISF
ISF6OW	OFFICE WHITE	FRAME, 6 PORT ISF
ISF6GY	GREY	FRAME, 6 PORT ISF
ISF6W	WHITE	FRAME, 6 PORT ISF
ISF6AL	ALMOND	FRAME, 6 PORT ISF
ISF6LA	LIGHT ALMOND	FRAME, 6 PORT ISF
ISF6BN	BROWN	FRAME, 6 PORT ISF



#6-32 NC  
THROUGH TAP  
(2) PLACES



NOTES

UNLESS OTHERWISE SPECIFIED:

- UL LISTED:
- STANDARD NEMA RECTANGULAR OPENING (WD60S2)
- SPECIFICATIONS SUBJECT TO CHANGE WITHOUT NOTICE

REV.	ECN	DATE	DESCRIPTION	CHG BY	APPD BY
D	16447	7/13/10	ADDED BROWN COLOR	CG	
C	5870	6/9/06	ADDED LIGHT ALMOND CATALOG NUMBER	CD	
B	5678	8/11/05	ADDED ALMOND CATALOG NUMBER	CD	
A	4630	02/13/02	INITIAL RELEASE	PSM	

Created on AUTOCAD

DIMENSIONING AND TOLERANCE PER  
ANSI Y14.5M-1982  
UNLESS OTHERWISE SPECIFIED,  
DIMENSIONS ARE IN INCHES (MM).  
TOLERANCES:  
.XX = ±.01 (.25)  
.XXX = ±.005 (.127)  
.XXXX = ±.0025 (.0635)  
ANGLE TOL ±1°

IN ACCEPTING OUR DRAWINGS,  
BLUEPRINTS, OR SUPPORTING  
DOCUMENTATION FOR QUOTATION  
OR OTHER PURPOSES, YOU AGREE  
NOT TO DISCLOSE TO OTHERS  
THE IDEAS, INFORMATION, OR  
DESIGNS SHOWN HEREIN, AND  
THAT YOU WILL MAKE NO USE  
OF SAME WITHOUT PERMISSION

PROJECT REFERENCE:

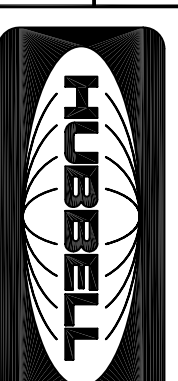
MATERIAL:

DRAWN BY:

PAUL S. MAGUIRE 02/13/02

CHECKED BY:

APPROVED BY:



Hubbell Premise Wiring  
HUBBELL INCORPORATED (Delaware)  
14 Lord's Hill Road, Stonington, Connecticut 06378

FRAME, 6 PORT ISF

TITLE:

SIZE: DRAWING NO.

C

C773248

REV.

D

SCALE:

1/1

SHEET

1

OF

1