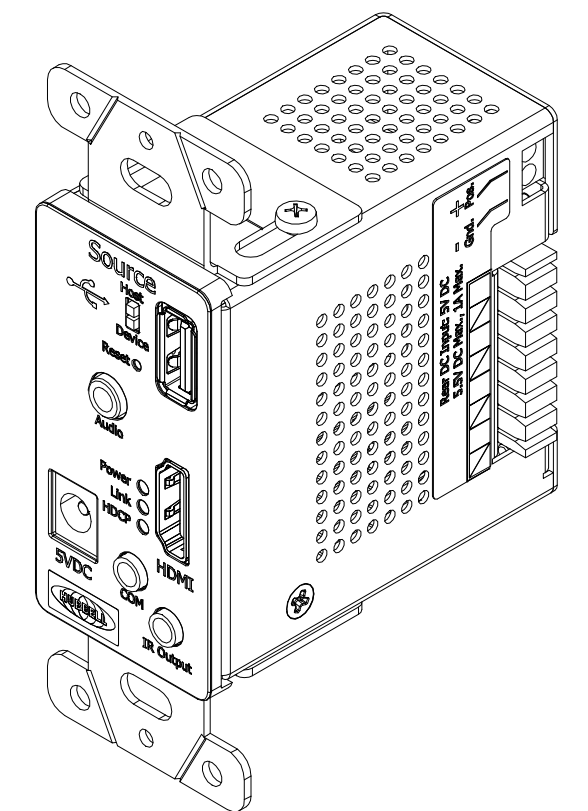
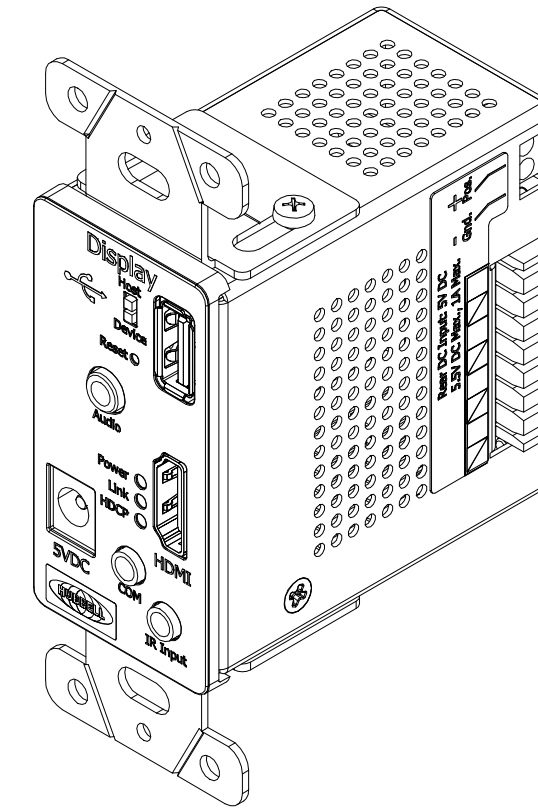
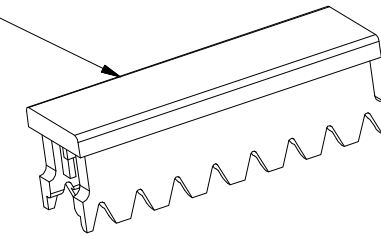


PART NUMBER	DESCRIPTION
ISFHD4BK	DECORATOR,4KAV,USB,110,SET,1G,BK
ISFHDR4BK	DECORATOR,4KAV,USB,110,RX,1G,BK
ISFHDT4BK	DECORATOR,4KAV,USB,110,TX,1G,BK

STUFFER CAP



D

D

C

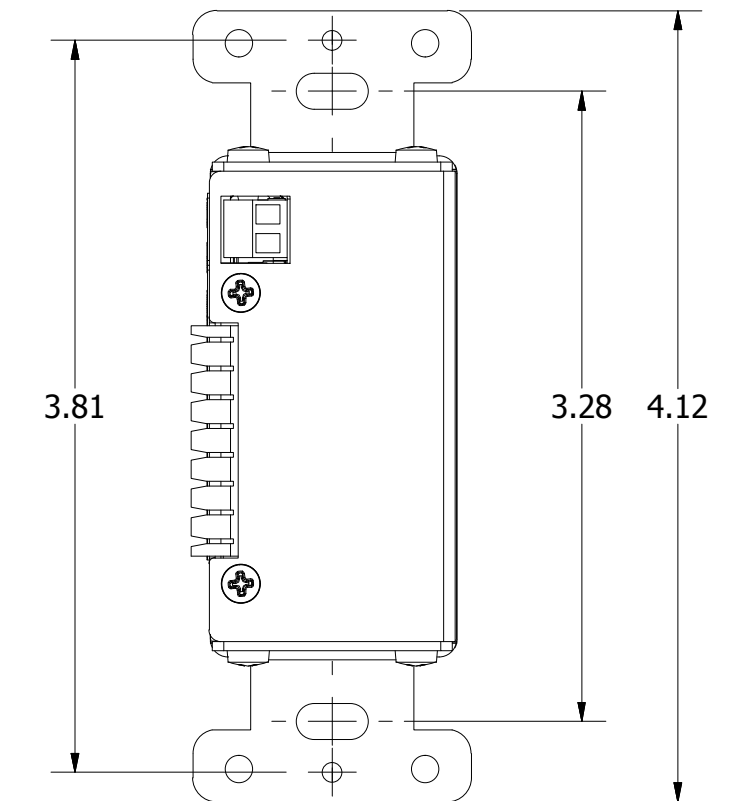
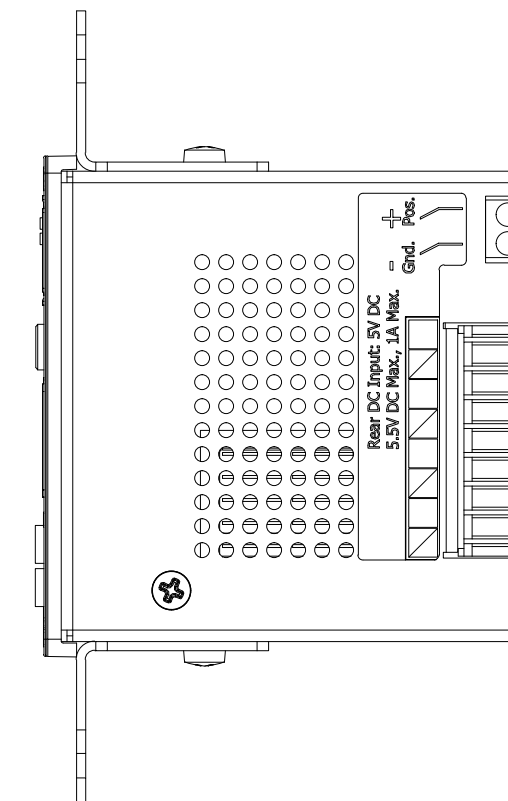
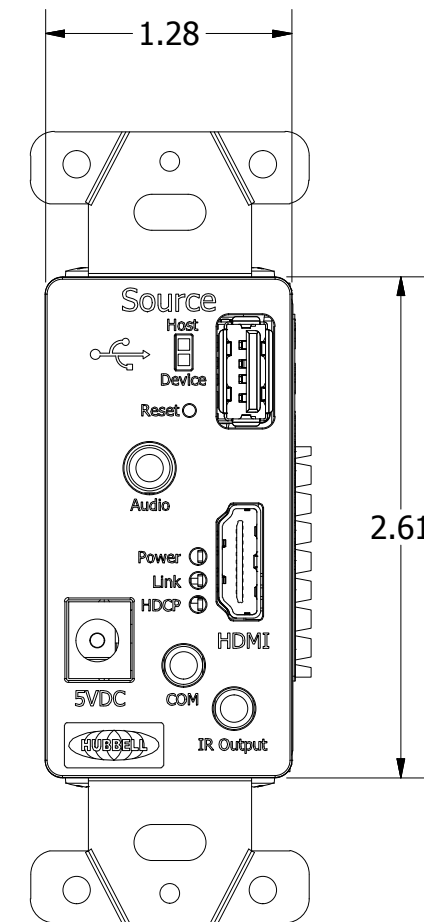
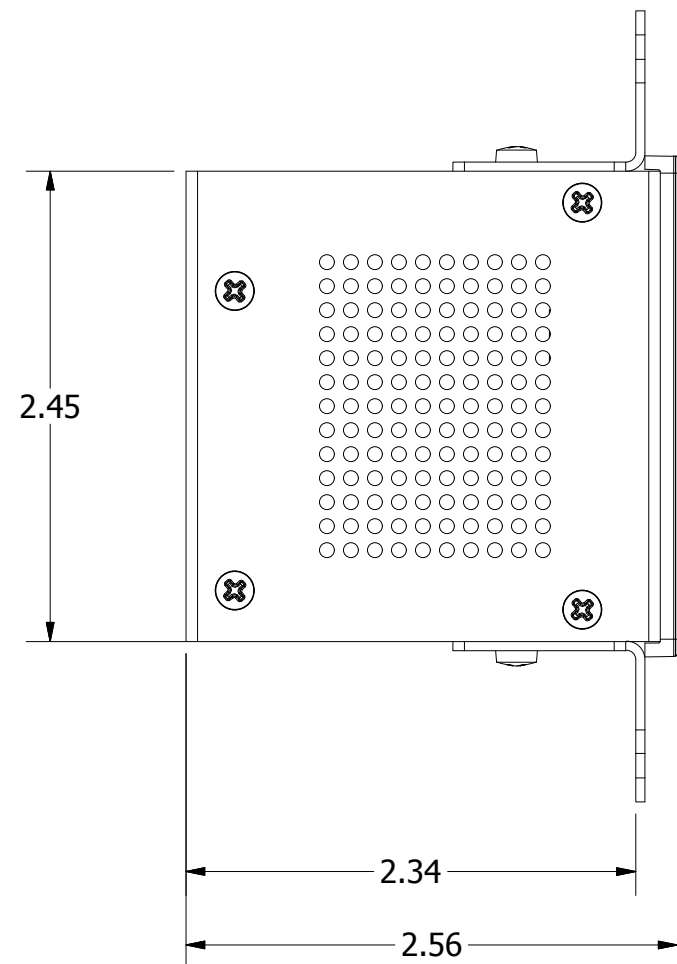
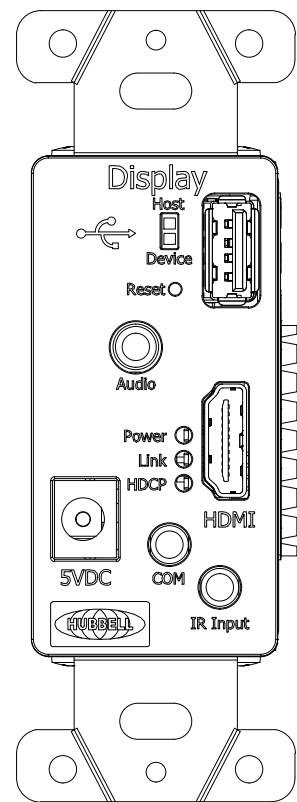
C

B

B

A

A



NOTES:

- ISFHD4XX PRODUCTS CONTAIN ONE SOURCE MODULE, ONE DISPLAY MODULE ONE INSTRUCTION SHEET, FOUR STUFFER CAPS AND TWO HARDWARE PACKS.
- ISFHD4TXX PRODUCTS CONTAIN ONE SOURCE MODULE, ONE INSTRUCTION SHEET, TWO STUFFER CAPS AND ONE HARDWARE PACK.
- ISFHD4RXX PRODUCTS CONTAIN ONE DISPLAY MODULE, ONE INSTRUCTION SHEET, TWO STUFFER CAPS AND ONE HARDWARE PACK.
- SPECIFICATIONS SUBJECT TO CHANGE WITHOUT NOTICE.

Created on INVENTOR

DIMENSIONING AND TOLERANCE PER ANSI Y14.5M-1982 UNLESS OTHERWISE SPECIFIED, DIMENSIONS ARE IN INCHES (MM). TOLERANCES.XX = ±.01 (.25).XXX = ±.005 (.127).XXXX = ±.0025 (.0635) ANGLE TOL ±1°

IN ACCEPTING OUR DRAWINGS, BLUEPRINTS, OR SUPPORTING DOCUMENTATION FOR QUOTATION OR OTHER PURPOSES, YOU AGREE NOT TO DISCLOSE TO OTHERS THE IDEAS, INFORMATION, OR DESIGNS SHOWN HEREIN, AND THAT YOU WILL MAKE NO USE OF SAME WITHOUT PERMISSION

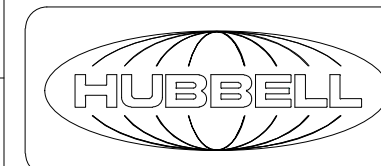
PROJECT REFERENCE:
NPD-01673

MATERIAL:

DRAWN BY:
D.O'CONNOR 4/24/17

CHECKED BY:

APPROVED BY:



Hubbell Premise Wiring
HUBBELL INCORPORATED (Delaware)
23 CLARA DRIVE, SUITE 103 MYSTIC, CT 06355

TITLE:
4KAV DECORATOR TX & RX KIT

SIZE	DRAWING NO.	REV.
C	HWS14741C	1
SCALE:	SHEET 1 OF 1	

1	22449	4/24/17	INITIAL RELEASE	DPO	
REV.	ECN	DATE	DESCRIPTION	CHG BY	APPD BY

4

3

2

1