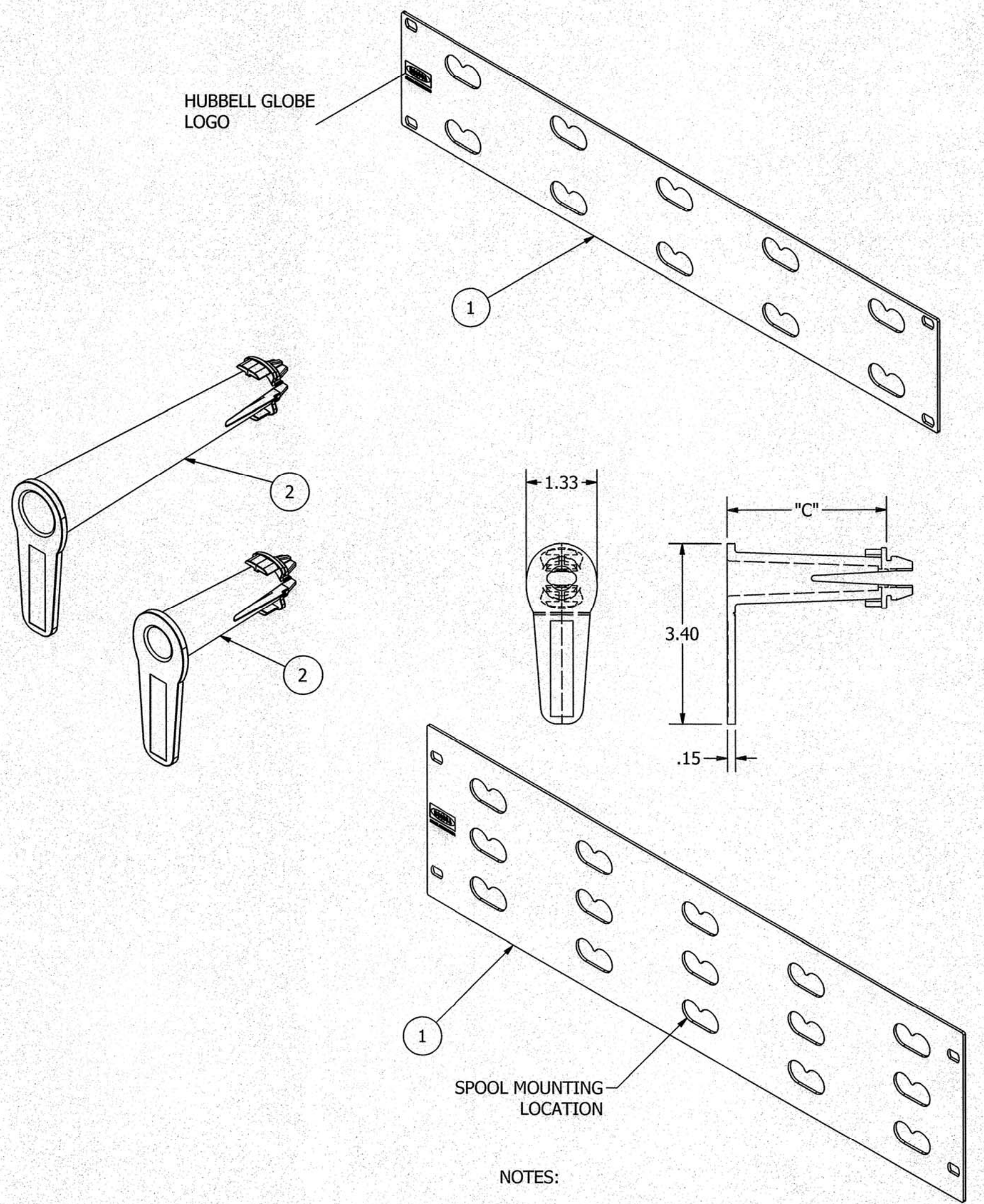
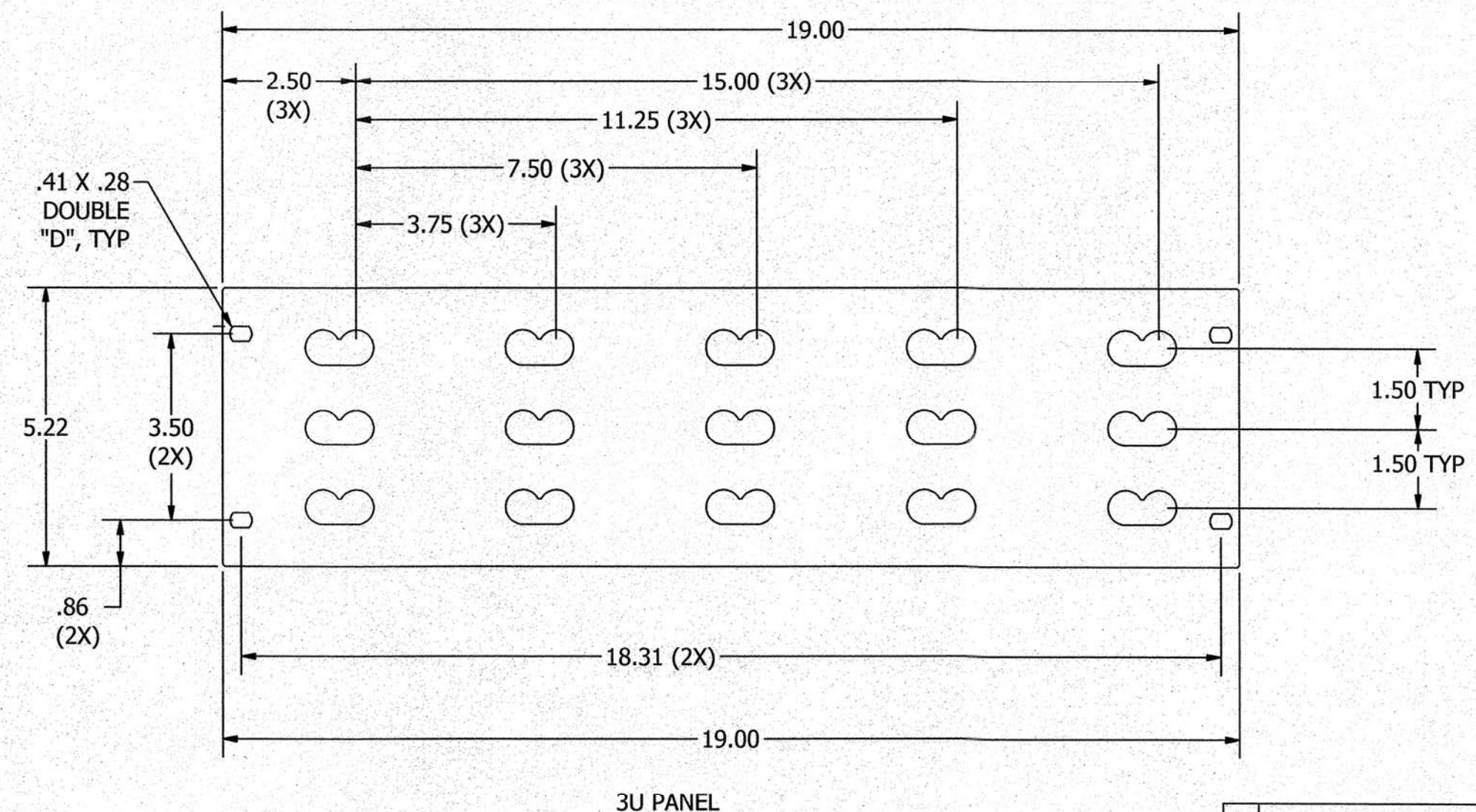
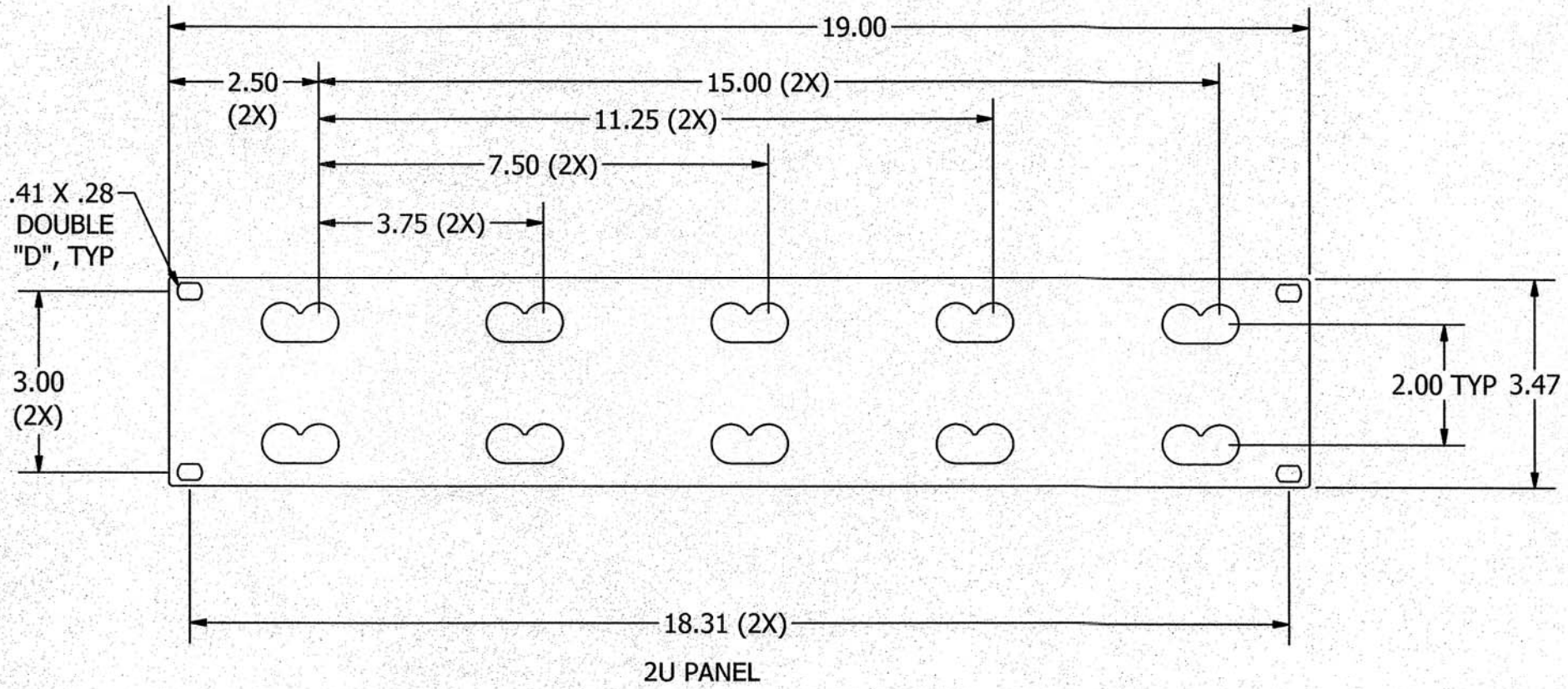



ITEM	DESCRIPTION	2U QTY	3U QTY
1	"A" PANEL	1	1
2	"B" SPOOL	5	8
3	INSTRUCTION SHEET (NOT SHOWN)	1	1
4	#12-24 SCREWS (NOT SHOWN)	4	4
5	#12 WASHERS (NOT SHOWN)	4	4

CATALOG NUMBER	DESCRIPTION	"A"	"B"	"C"
HSS23	HORIZONTAL CABLE MANAGER, SIMPLE SPOOL, 2U 3"DP	2U PANEL	3" SPOOL	3"
HSS26	HORIZONTAL CABLE MANAGER, SIMPLE SPOOL, 2U 6"DP	2U PANEL	6" SPOOL	6"
HSS33	HORIZONTAL CABLE MANAGER, SIMPLE SPOOL, 3U 3"DP	3U PANEL	3" SPOOL	3"
HSS36	HORIZONTAL CABLE MANAGER, SIMPLE SPOOL, 3U 6"DP	3U PANEL	6" SPOOL	6"



- NOTES:
1. SURFACE FINISH: BLACK.
  2. SPECIFICATIONS SUBJECT TO CHANGE WITHOUT NOTICE.

Created on INVENTOR	DIMENSIONING AND TOLERANCE PER ANSI Y14.5M-1982 UNLESS OTHERWISE SPECIFIED, DIMENSIONS ARE IN INCHES (MM). TOLERANCES: .XX = ±.01 (.25).XXX = ±.005 (.127).XXXX = ±.0025 (.0635) ANGLE TOL ±1°		PROJECT REFERENCE: 2012-014		 <b>Hubbell Premise Wiring</b> HUBBELL INCORPORATED (Delaware) 23 CLARA DRIVE, SUITE 103 MYSTIC, CT 06355
	IN ACCEPTING OUR DRAWINGS, BLUEPRINTS, OR SUPPORTING DOCUMENTATION FOR QUOTATION OR OTHER PURPOSES, YOU AGREE NOT TO DISCLOSE TO OTHERS THE IDEAS, INFORMATION, OR DESIGNS SHOWN HEREIN, AND THAT YOU WILL MAKE NO USE OF SAME WITHOUT PERMISSION		MATERIAL: PANEL: CRS SPOOL: BLACK (PC/ABS)		
			DRAWN BY: MABBY 03/31/14		SIZE: <b>C</b> DRAWING NO.: <b>HWS14415C</b>
			CHECKED BY:		SCALE: N/A SHEET 1 OF 1
		APPROVED BY:		REV. <b>1</b>	

REV.	ECN	DATE	DESCRIPTION	CHG BY	APPD BY
1	21374	12/16/15	INITIAL RELEASE	JJRJ	<i>JJRJ</i>