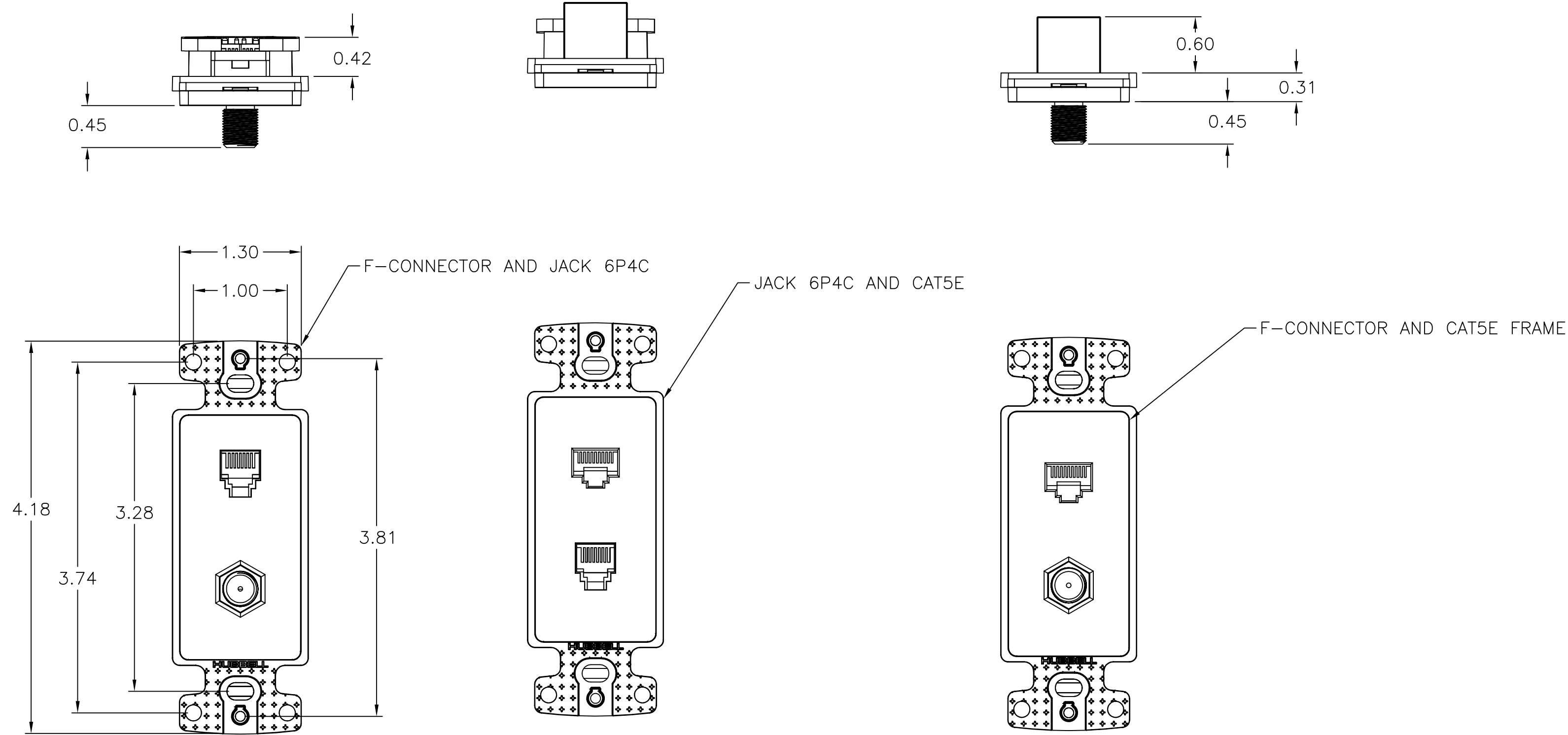
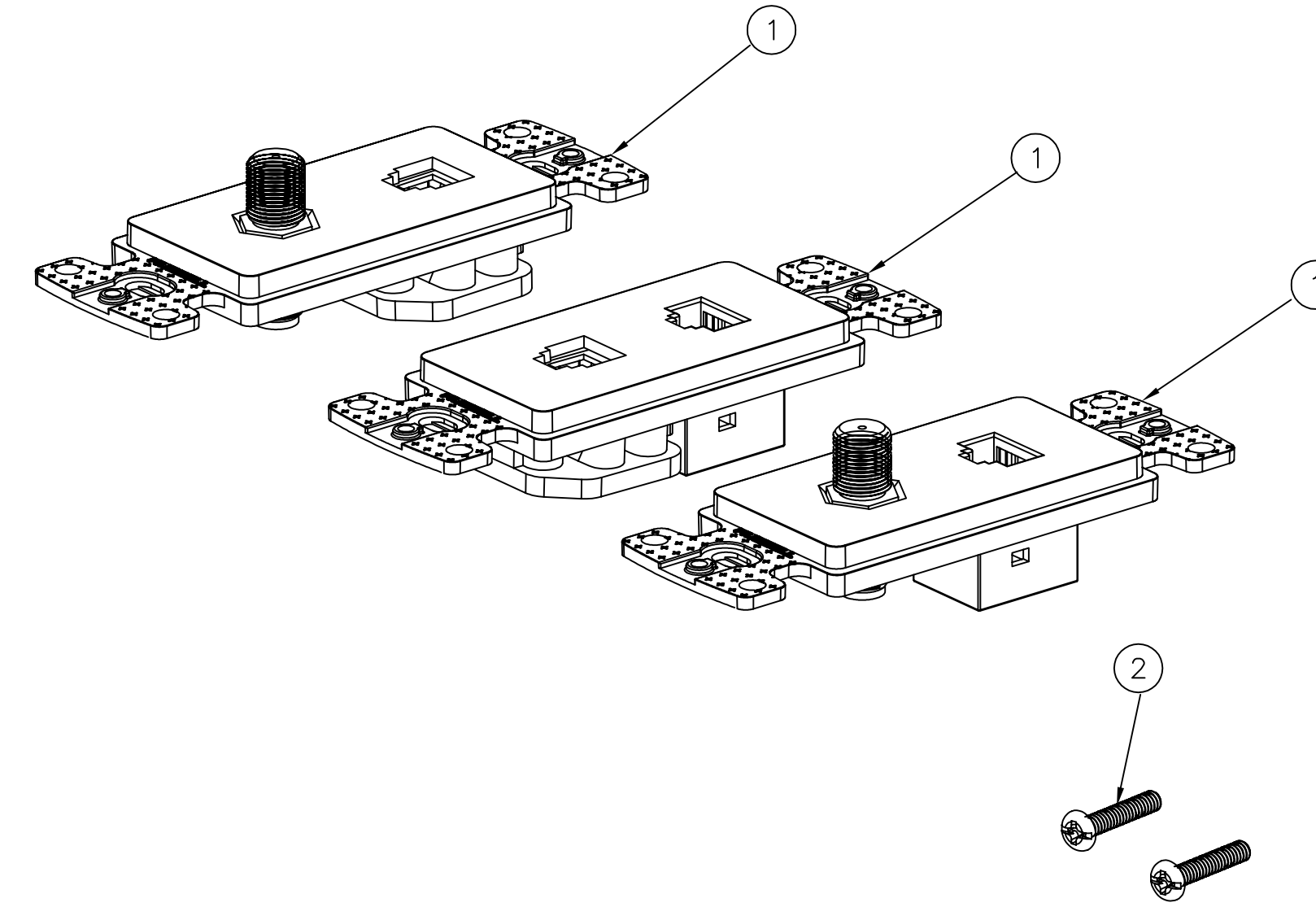


CATALOG NUMBER	COLOR	DESCRIPTION
NS7831	IVORY	JACK 6P4C AND F-CONNECTOR FRAME
NS783W	WHITE	JACK 6P4C AND F-CONNECTOR FRAME
NS783AL	ALMOND	JACK 6P4C AND F-CONNECTOR FRAME
NS784	BROWN	JACK 6P4C AND CAT5E FRAME
NS784I	IVORY	JACK 6P4C AND CAT5E FRAME
NS784W	WHITE	JACK 6P4C AND CAT5E FRAME
NS784AL	ALMOND	JACK 6P4C AND CAT5E FRAME
NS784GY	GRAY	JACK 6P4C AND CAT5E FRAME
NS784BK	BLACK	JACK 6P4C AND CAT5E FRAME
NS785	BROWN	F-CONNECTOR AND CAT5E FRAME
NS785I	IVORY	F-CONNECTOR AND CAT5E FRAME
NS785W	WHITE	F-CONNECTOR AND CAT5E FRAME
NS785AL	ALMOND	F-CONNECTOR AND CAT5E FRAME
NS785GY	GRAY	F-CONNECTOR AND CAT5E FRAME
NS785BK	BLACK	F-CONNECTOR AND CAT5E FRAME
NS784LA	LIGHT ALMOND	JACK 6P4C AND CAT5E FRAME
NS785LA	LIGHT ALMOND	F-CONNECTOR AND CAT5E FRAME
NS783LA	LIGHT ALMOND	JACK 6P4C AND F-CONNECTOR FRAME

ITEM NO.	DESCRIPTION	QTY.
1	FRAME (SEE TABULATION)	1
2	6-32 X 7/8" TRI-DRIVE SCREW	2

NOTES  
UNLESS OTHERWISE SPECIFIED:  
1. UL LISTED: E129878  
2. CSA CERTIFIED: LR 80837  
3. SPECIFICATIONS SUBJECT TO CHANGE WITHOUT NOTICE



REV.	ECN	DATE	DESCRIPTION	CHG BY	APPD BY
C	6116	06/06/07	ADDED LIGHT ALMOND -- NS783LA	BTM	
B	5914	08/14/06	ADDED LIGHT ALMOND -- NS784LA,NS785LA	NJR	MMA
A	5813	03/10/06	INITIAL RELEASE	NJR	NH

Created on AUTOCAD	DIMENSIONING AND TOLERANCE PER ANSI Y14.5M-1982 UNLESS OTHERWISE SPECIFIED, DIMENSIONS ARE IN INCHES (MM). TOLERANCES .XX = ±.01 (.25) .XXX = ±.005 (.127) .XXXX = ±.0025 (.0635) ANGLE TOL ±1°		PROJECT REFERENCE:	<b>Hubbell Premise Wiring</b> HUBBELL INCORPORATED (Delaware) 14 Lord's Hill Road, Stonington, Connecticut 06378
	IN ACCEPTING OUR DRAWINGS, BLUEPRINTS, OR SUPPORTING DOCUMENTATION FOR QUOTATION OR OTHER PURPOSES, YOU AGREE NOT TO DISCLOSE TO OTHERS THE IDEAS, INFORMATION, OR DESIGNS SHOWN HEREIN, AND THAT YOU WILL MAKE NO USE OF SAME WITHOUT PERMISSION		MATERIAL:	
		DRAWN BY: NANCY RICHARDS 03/10/06		TITLE: NET SELECT FRAME CAT5E, JACK AND F-CONNECTOR
		CHECKED BY: N. HERRING 03/10/06		SIZE: <b>D</b> DRAWING NO. <b>CHWS12279</b> REV. <b>C</b>
		APPROVED BY: M.M. ABBY 03/10/06		SCALE: 1/1 SHEET 1 OF 1