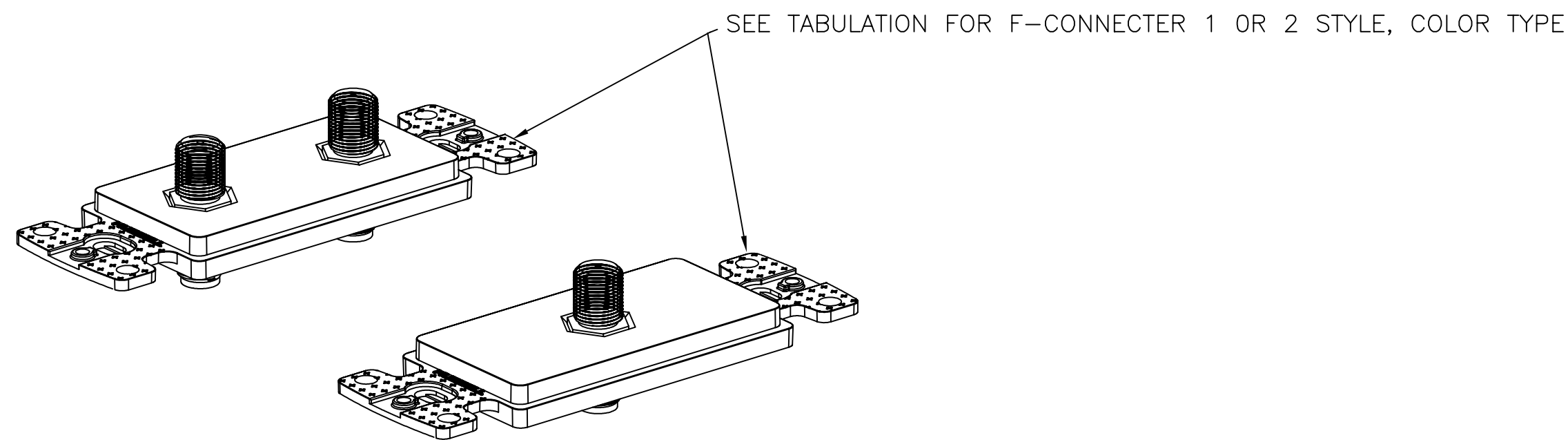
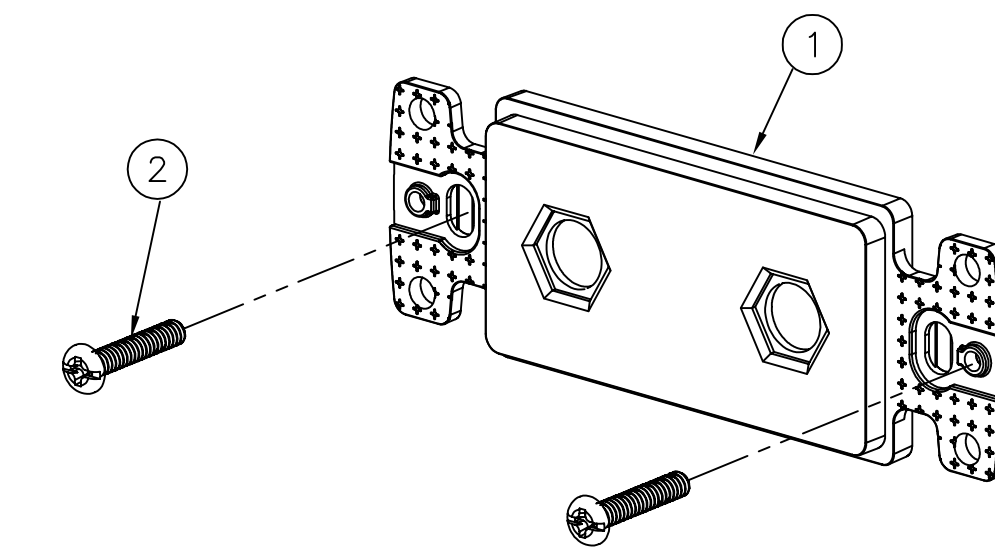
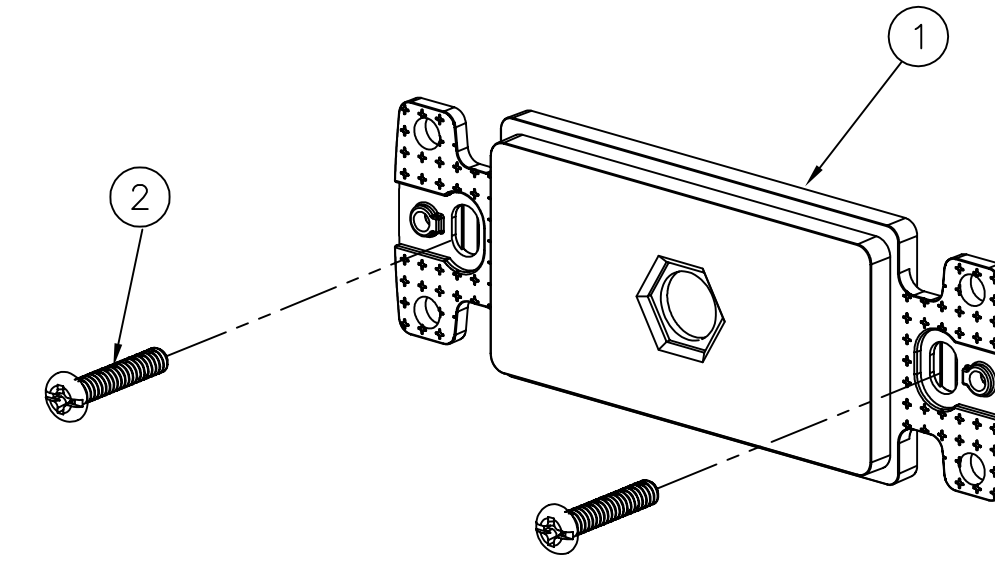
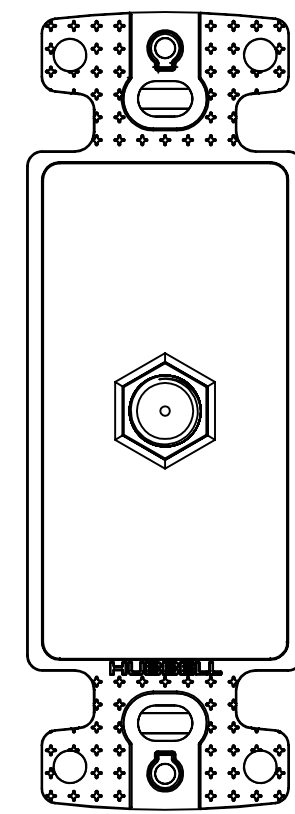
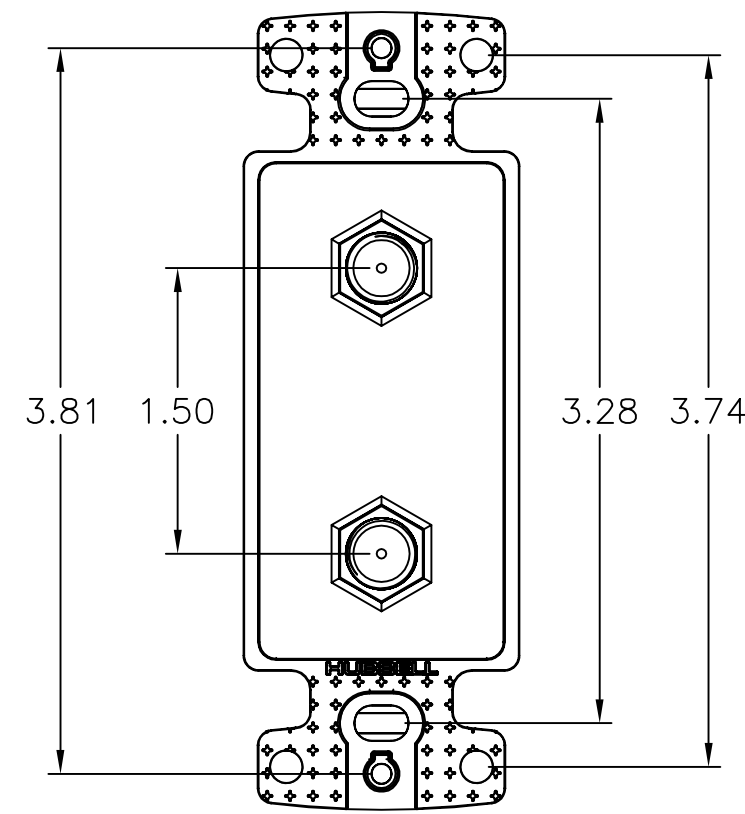
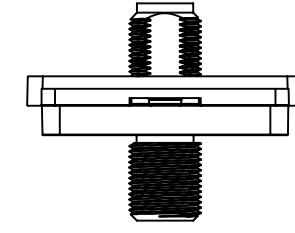
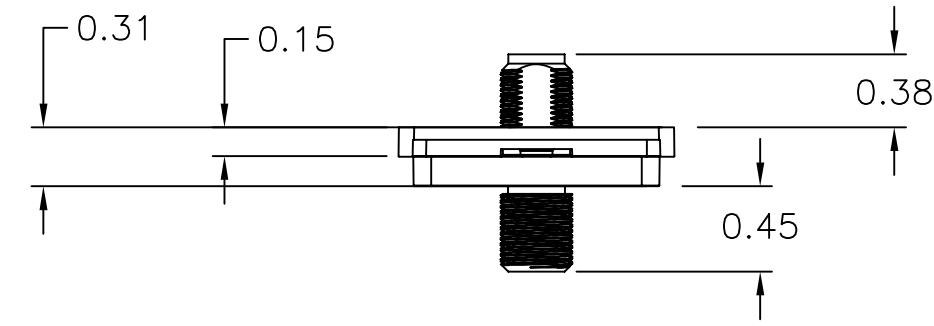


CATALOG NUMBER	COLOR	DESCRIPTION
NS780I	IVORY	1 SINGLE F-CONNECTOR W/FRAME
NS780W	WHITE	1 SINGLE F-CONNECTOR W/FRAME
NS780AL	ALMOND	1 SINGLE F-CONNECTOR W/FRAME
NS782I	IVORY	2 DUPLEX F-CONNECTOR W/FRAME
NS782W	WHITE	2 DUPLEX F-CONNECTOR W/FRAME
NS782AL	ALMOND	2 DUPLEX F-CONNECTOR W/FRAME
NS780LA	LIGHT ALMOND	1 SINGLE F-CONNECTOR W/FRAME
NS782LA	LIGHT ALMOND	2 DUPLEX F-CONNECTOR W/FRAME

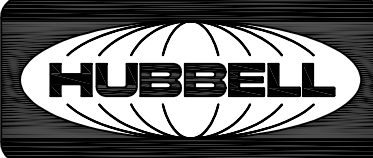
NOTES
UNLESS OTHERWISE SPECIFIED:

1. UL LISTED: E129878
2. CSA CERTIFIED: LR 80837
3. SPECIFICATIONS SUBJECT TO CHANGE WITHOUT NOTICE

ITEM NO.	DESCRIPTION	QTY.
1	PHONE JACK FRAME(SEE TABULATION)	1
2	6-32 X 7/8" TRI-DRIVE SCREW	2



REV.	ECN	DATE	DESCRIPTION	CHG BY	APPD BY
C	6116	06/06/07	ADDED LIGHT ALMOND - NS782LA	BTM	
B	5914	08/14/06	ADDED LIGHT ALMOND - NS780LA	NJR	MMA
A	5813	03/10/06	INITIAL RELEASE	NJR	NH

Created on AUTOCAD	DIMENSIONING AND TOLERANCE PER ANSI Y14.5M-1982 UNLESS OTHERWISE SPECIFIED, DIMENSIONS ARE IN INCHES (MM). TOLERANCES: .XX = ±.01 (.25) .XXX = ±.005 (.127) .XXXX = ±.0025 (.0635) ANGLE TOL ±1°		PROJECT REFERENCE:	 Hubbell Premise Wiring HUBBELL INCORPORATED (Delaware) 14 Lord's Hill Road, Stonington, Connecticut 06378
	IN ACCEPTING OUR DRAWINGS, BLUEPRINTS, OR SUPPORTING DOCUMENTATION FOR QUOTATION OR OTHER PURPOSES, YOU AGREE NOT TO DISCLOSE TO OTHERS THE IDEAS, INFORMATION, OR DESIGNS SHOWN HEREIN, AND THAT YOU WILL MAKE NO USE OF SAME WITHOUT PERMISSION		MATERIAL:	
		DRAWN BY: NANCY RICHARDS 03/10/06		TITLE: NET SELECT FRAME WITH F-CONNECTOR
		CHECKED BY: N. HERRING 03/10/06		SIZE: DRAWING NO. D CHWS12278
		APPROVED BY: M.M. ABBY 03/10/06		REV. C
		SCALE: 1/1	SHEET 1 OF 1	