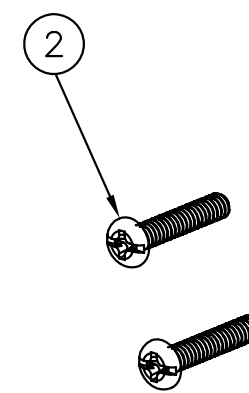
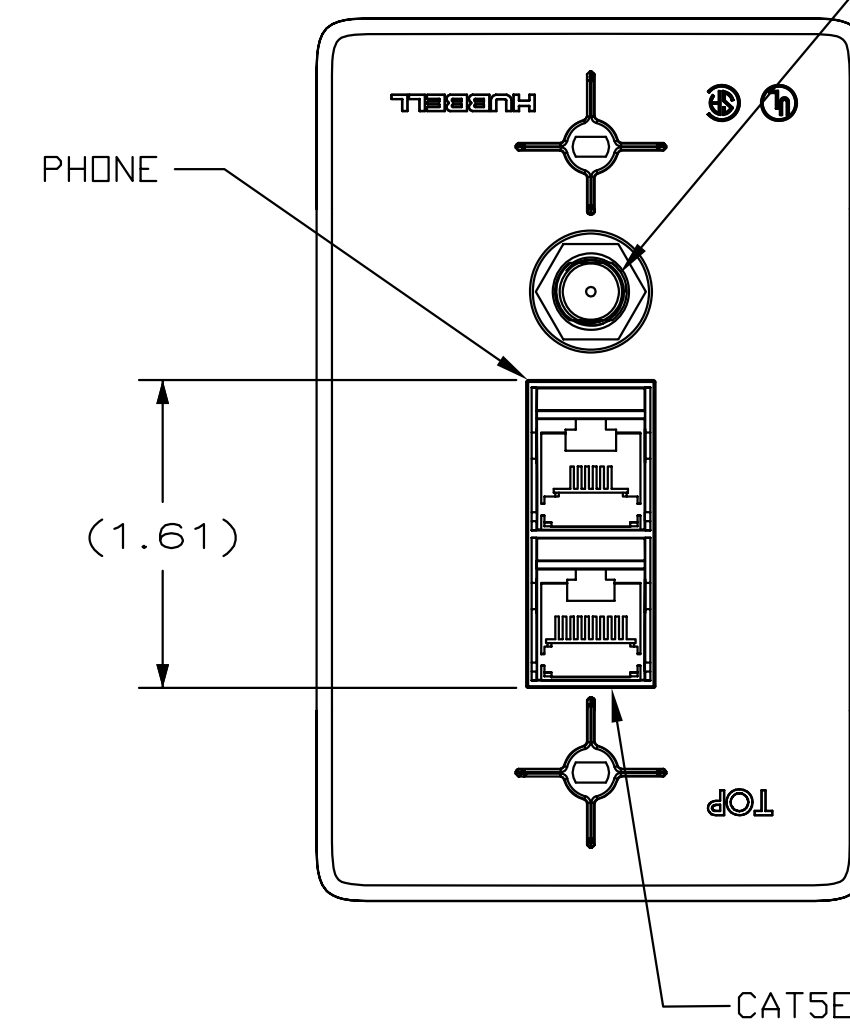
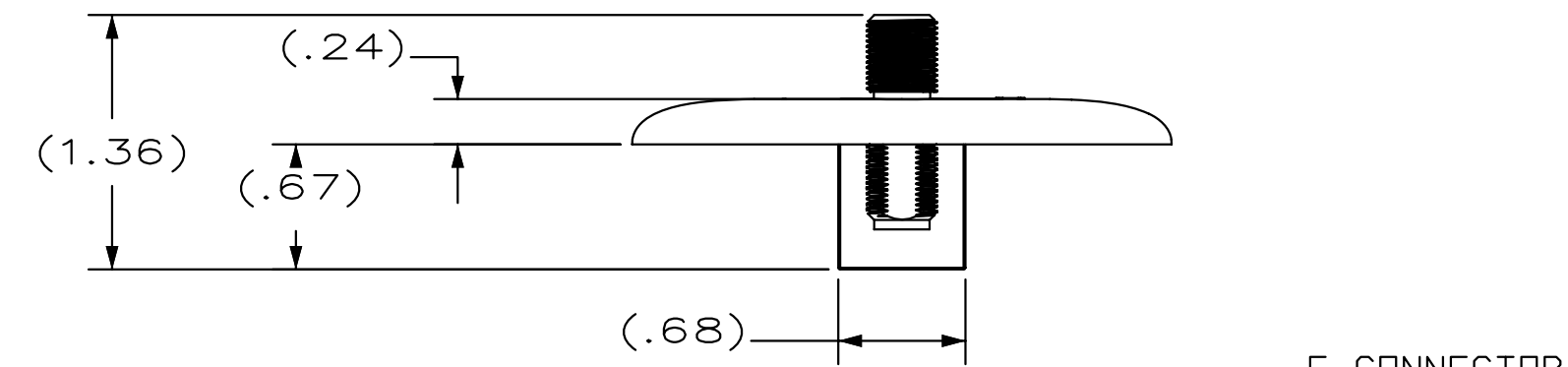
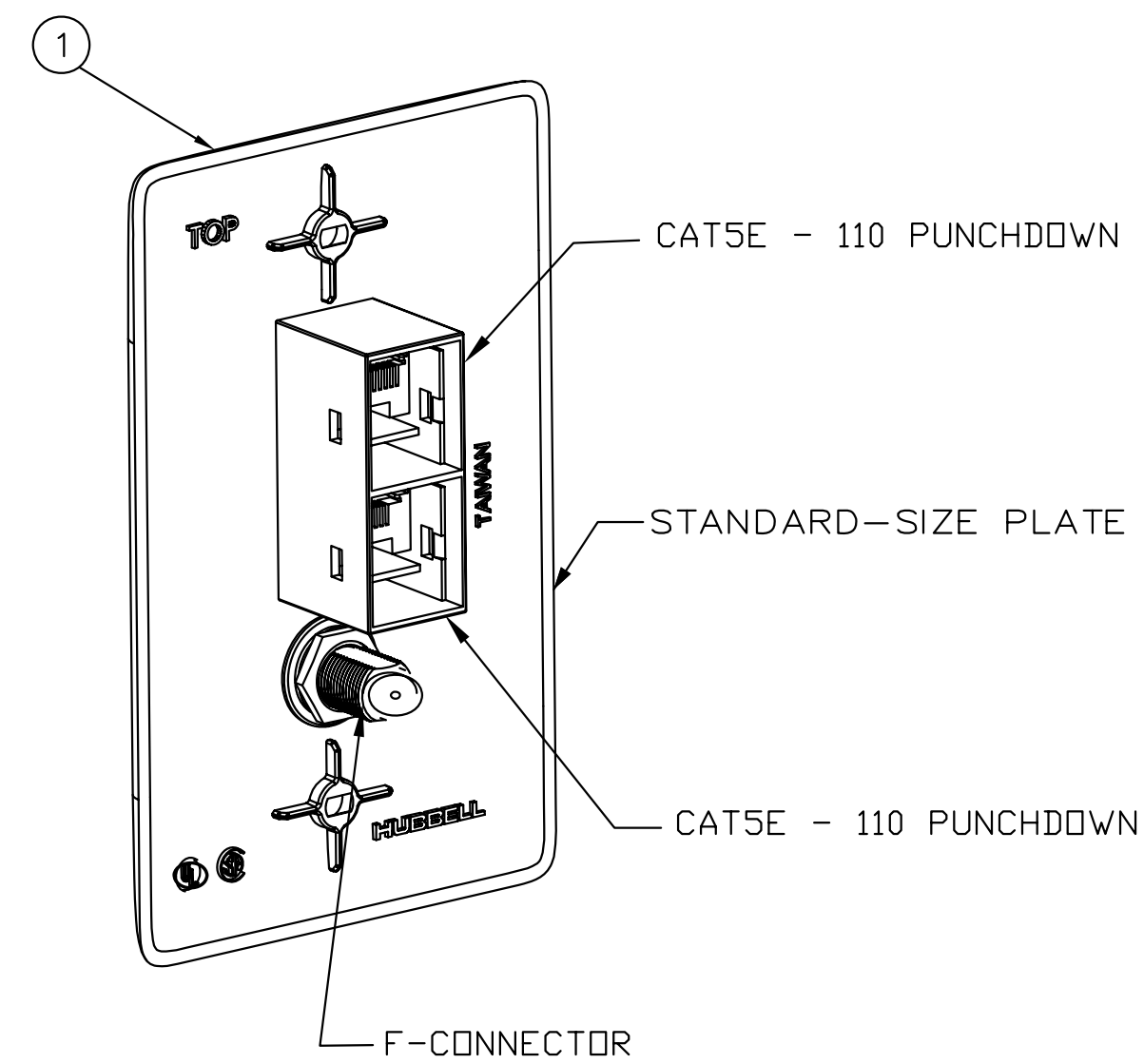
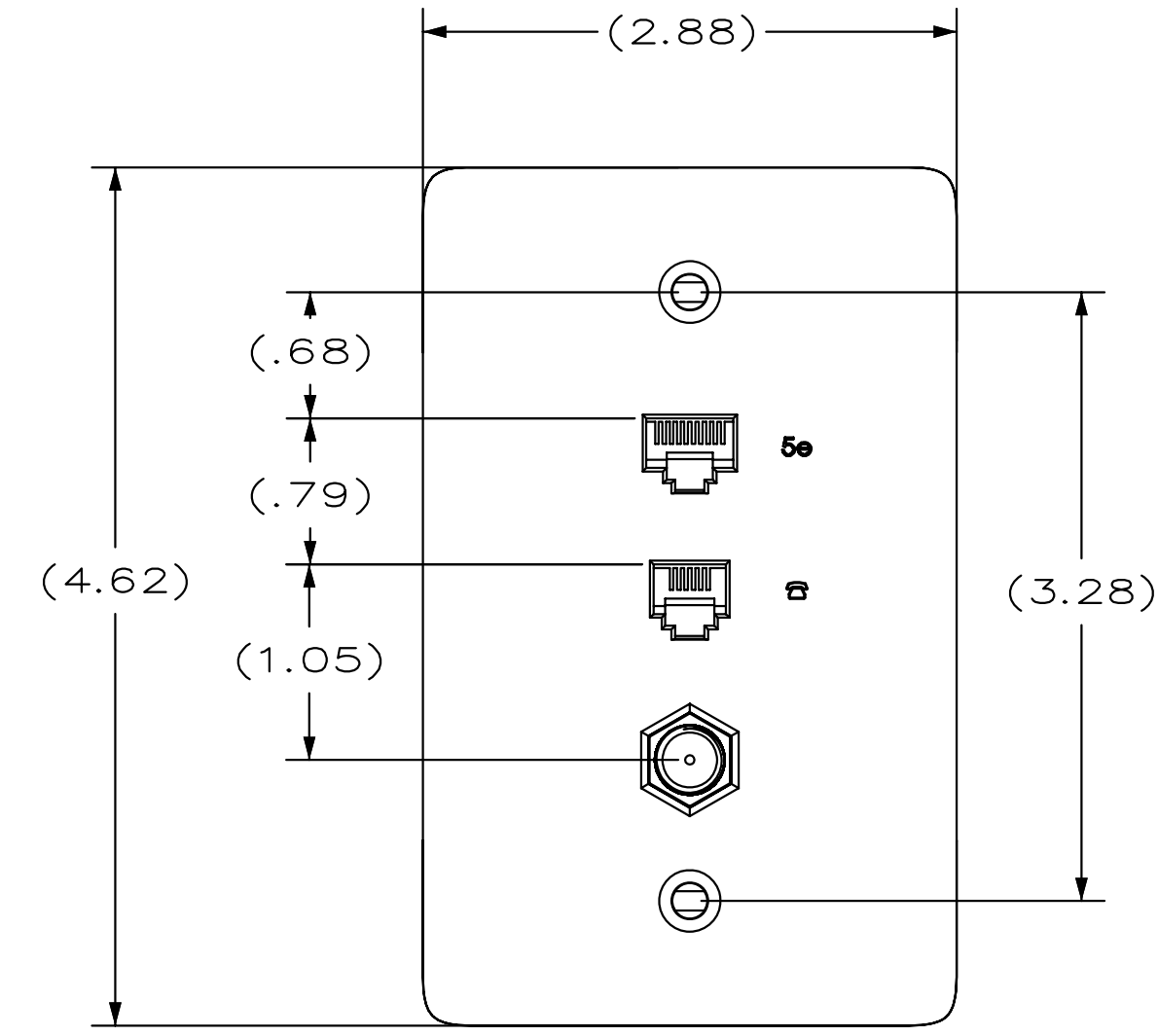
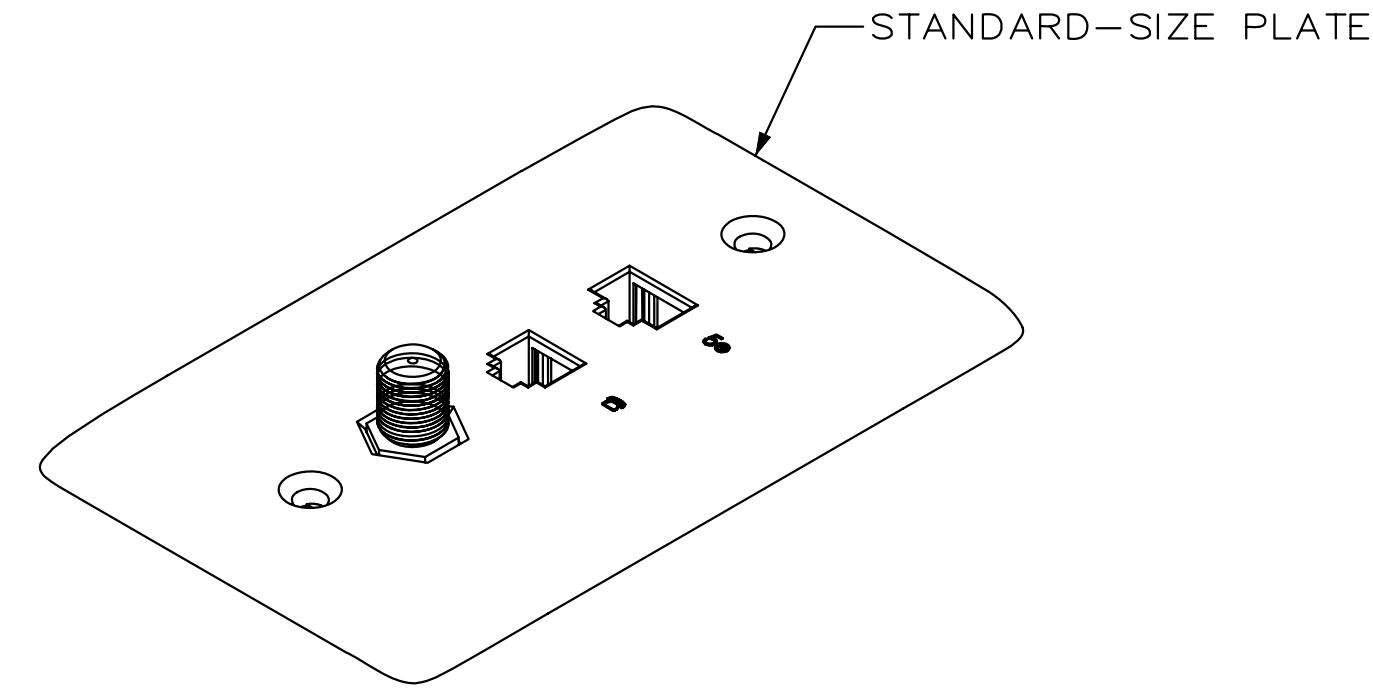


CATALOG NUMBER	DESCRIPTION	COLOR
NS790AL	STANDARD	ALMOND
NS790BK	STANDARD	BLACK
NS790	STANDARD	BROWN
NS790GY	STANDARD	GRAY
NS790I	STANDARD	IVORY
NS790LA	STANDARD	LIGHT ALMOND
NS790W	STANDARD	WHITE
NS7900W	STANDARD	OFFICE WHITE

NOTE:

1. UL LISTED: E129878
2. CSA CERTIFIED: LR 80837
3. SPECIFICATIONS SUBJECT TO CHANGE WITHOUT NOTICE.

ITEM NO.	DESCRIPTION	QTY.
1	PLATE, (SEE TABULATION)	1
2	SCREW, 6-32 X 1" LG OVAL HEAD MACHINE SCREW	2



REV.	ECN	DATE	DESCRIPTION	CHG BY	APPD BY
A	6077	04/30/07	INITIAL RELEASE	NJR	

Created on AUTOCAD

DIMENSIONING AND TOLERANCING PER ANSI Y14.5M-1982. UNLESS OTHERWISE SPECIFIED, DIMENSIONS ARE IN INCHES [MM]. TOLERANCES  
.XX = ±.01 [.25]  
.XXX = ±.005 [.13]  
.XXXX = ±.0025 [.06]  
ANGLE TOL ±1°

IN ACCEPTING OUR DRAWINGS, BLUEPRINTS, OR SUPPORTING DOCUMENTATION FOR QUOTATION OR OTHER PURPOSES, YOU AGREE NOT TO DISCLOSE TO OTHERS THE IDEAS, INFORMATION, OR DESIGNS SHOWN HEREIN, AND THAT YOU WILL MAKE NO USE OF SAME WITHOUT PERMISSION.

PROJECT REFERENCE: 2007-017

MATERIAL: SEE TABULATION

DRAWN BY: N.RICHARDS 04-30-07

CHECKED BY:

APPROVED BY:

COMPONENTS CONTAINED IN THIS DOCUMENT MUST ADHERE TO ENVIRONMENTAL SPEC. HWS12367

Hubbell Premise Wiring  
HUBBELL INCORPORATED (Delaware)  
14 Lord's Hill Road, Stonington, Connecticut 06378

TITLE: NET SELECT WALL PLATE  
Cat5e, PHONE & F-CONN  
STANDARD WALL PLATE

SIZE: D DRAWING NO. HWS12529C

SCALE: N/A SHEET 1 OF 1

REV. A