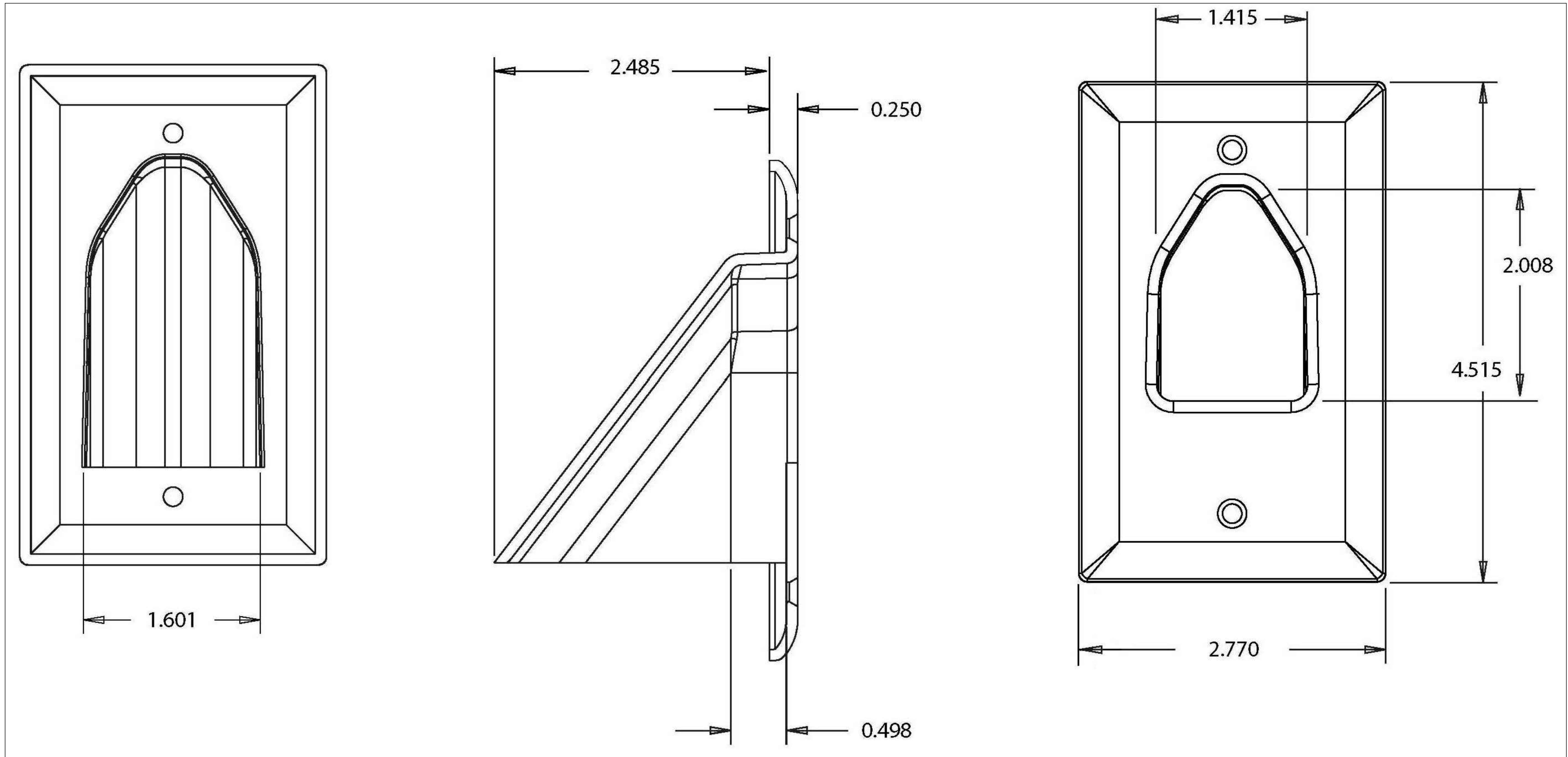



| ITEM NO. | DESCRIPTION                             | QTY. |
|----------|---|------|
| 1        | 1-GANG RECESSED LOW VOLTAGE CABLE PLATE | 1    |
| 2        | PAINTED WALL PLATE SCREW (NOT SHOWN)    | 2    |

| CATALOG NO. | DESCRIPTION                             | COLOR |
|-------------|---|-------|
| NSAV1W      | 1-GANG RECESSED LOW VOLTAGE CABLE PLATE | WHITE |
| NSAV1I      | 1-GANG RECESSED LOW VOLTAGE CABLE PLATE | IVORY |



NOTE: SPECIFICATIONS TO CHANGE WITHOUT NOTICE

|                    |   |                             |                    |   |  |
|--------------------|---|-----------------------------|--------------------|---|--|
| Created on AUTOCAD | DIMENSIONING AND TOLERANCE PER ANSI Y14.5M-1982, UNLESS OTHERWISE SPECIFIED, DIMENSIONS ARE IN INCHES (MM).<br>TOLERANCES<br>.XX = ±.01 (.25)<br>.XXX = ±.005 (.127)<br>.XXXX = ±.0025 (.0635)<br>ANGLE TOL ±1°                                   |                             | PROJECT REFERENCE: |   |  <b>Hubbell Premise Wiring</b><br>HUBBELL INCORPORATED (Delaware)<br>14 Lord's Hill Road, Stonington, Connecticut 06378 |
|                    | IN ACCEPTING OUR DRAWINGS, BLUEPRINTS, OR SUPPORTING DOCUMENTATION FOR QUOTATION OR OTHER PURPOSES, YOU AGREE NOT TO DISCLOSE TO OTHERS THE IDEAS, INFORMATION, OR DESIGNS SHOWN HEREIN, AND THAT YOU WILL MAKE NO USE OF SAME WITHOUT PERMISSION |                             | MATERIAL:          |   |  |
|                    |   | DRAWN BY:<br>D. PECK 6/4/13 |                    | TITLE:<br>1-GANG RECESSED LOW VOLTAGE CABLE PLATE |  |
|                    |   | CHECKED BY:                 |                    | SIZE: DRAWING NO.<br>D HWS14311C                  |  |
|                    |   | APPROVED BY:                |                    | REV. A  |  |
|                    |   |                             |                    | SCALE: N/A SHEET 1 OF 1                           |  |

| REV. | ECN   | DATE   | DESCRIPTION     | CHG BY | APPD BY |
|------|-------|--------|-----------------|--------|---------|
| A    | 18136 | 6/4/13 | INITIAL RELEASE | DMP    |         |