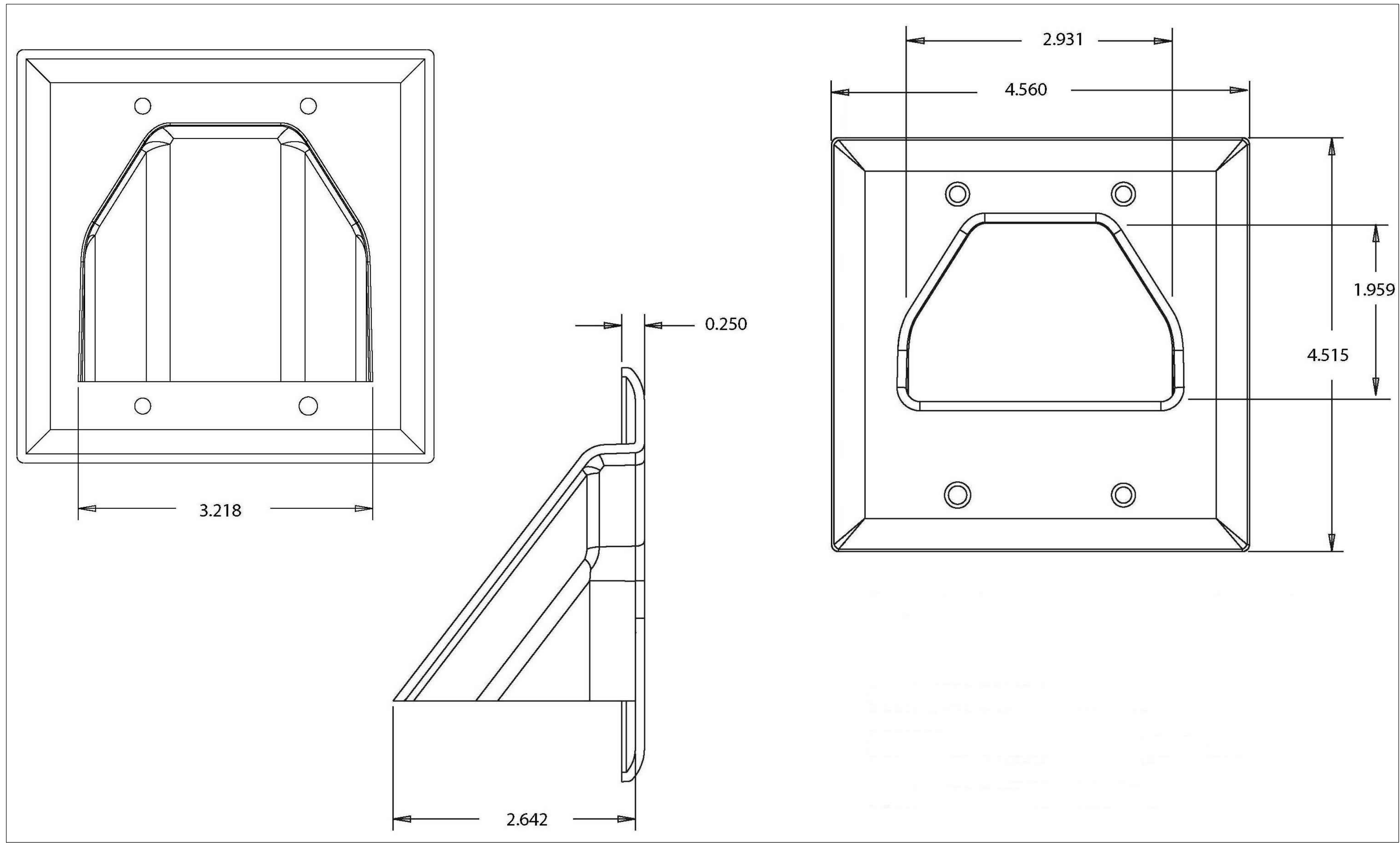
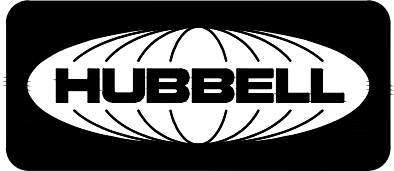


ITEM NO.	DESCRIPTION	QTY.
1	2-GANG RECESSED LOW VOLTAGE CABLE PLATE	1
2	PAINTED WALL PLATE SCREW (NOT SHOWN)	4

CATALOG NO.	DESCRIPTION	COLOR
NSAV2W	2-GANG RECESSED LOW VOLTAGE CABLE PLATE	WHITE
NSAV2I	2-GANG RECESSED LOW VOLTAGE CABLE PLATE	IVORY



NOTE: SPECIFICATIONS TO CHANGE WITHOUT NOTICE.

Created on AUTOCAD	DIMENSIONING AND TOLERANCE PER ANSI Y14.5M-1982 UNLESS OTHERWISE SPECIFIED, DIMENSIONS ARE IN INCHES (MM). TOLERANCES .XX = ±.01 (.25) .XXX = ±.005 (.127) .XXXX = ±.0025 (.0635) ANGLE TOL ±1°		PROJECT REFERENCE:	 <b>Hubbell Premise Wiring</b> HUBBELL INCORPORATED (Delaware) 14 Lord's Hill Road, Storington, Connecticut 06378
	IN ACCEPTING OUR DRAWINGS, BLUEPRINTS, OR SUPPORTING DOCUMENTATION FOR QUOTATION OR OTHER PURPOSES, YOU AGREE NOT TO DISCLOSE TO OTHERS THE IDEAS, INFORMATION, OR DESIGNS SHOWN HEREIN, AND THAT YOU WILL MAKE NO USE OF SAME WITHOUT PERMISSION		MATERIAL:	
		DRAWN BY: D. PECK 6/4/13	TITLE: 2-GANG RECESSED LOW VOLTAGE CABLE PLATE	
		CHECKED BY:	SIZE: D	DRAWING NO.: HWS14312C
		APPROVED BY:	SCALE: N/A	SHEET 1 OF 1

REV.	ECN	DATE	DESCRIPTION	CHG BY	APPD BY
A	18136	6/4/13	INITIAL RELEASE	DMP	