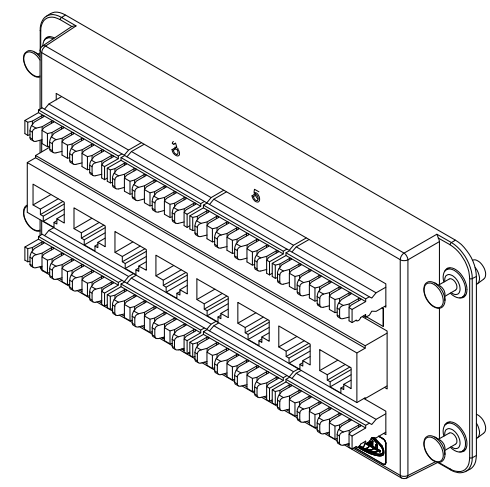
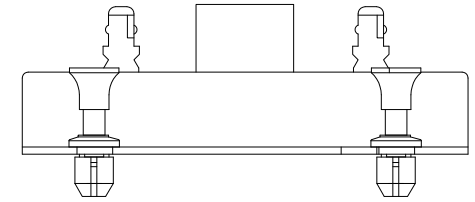
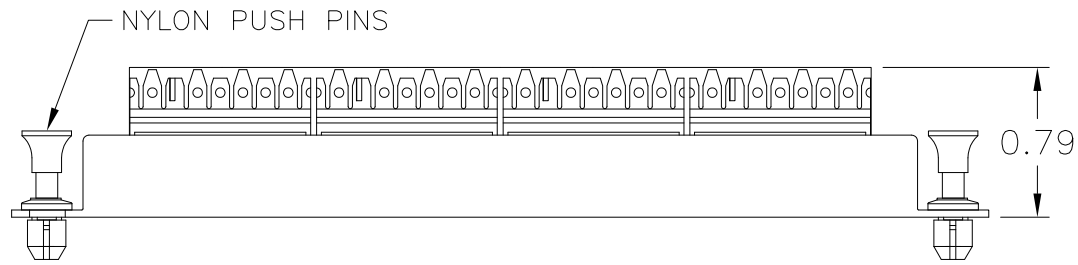
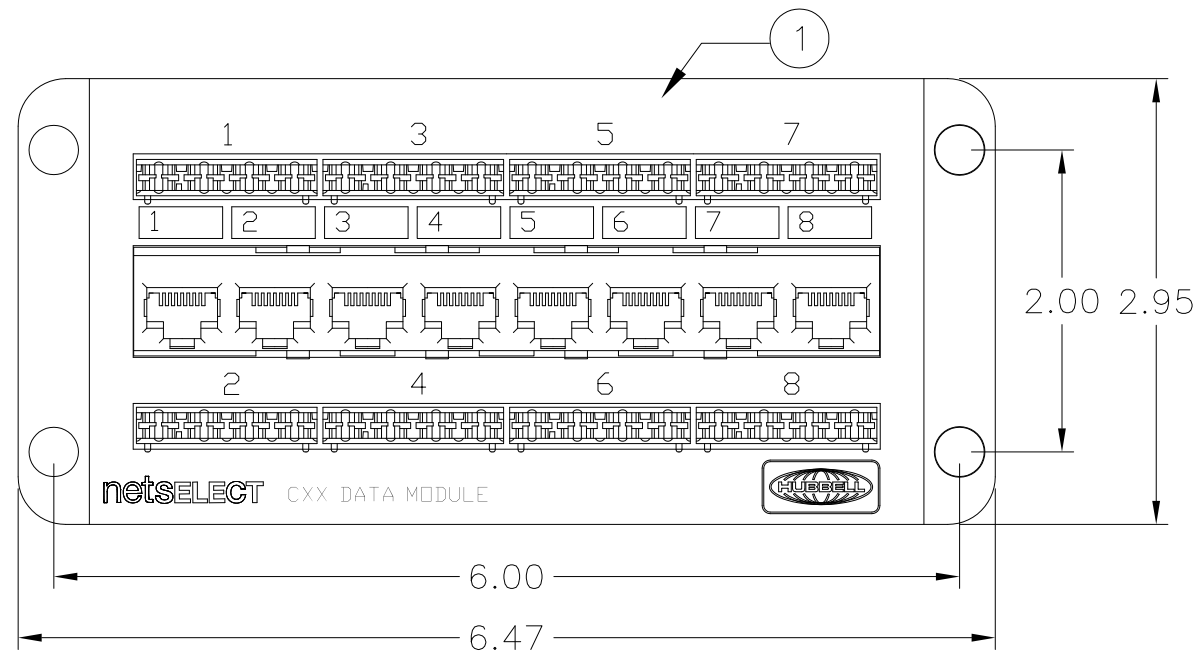
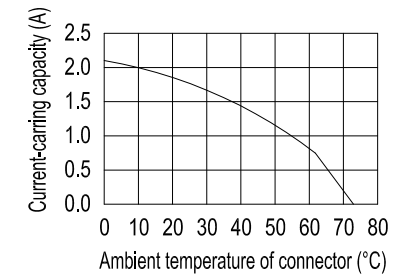



ITEM NO.	DESCRIPTION	QTY.
1	8 PORT DATA NETWORK MODULE	1
2	INSTRUCTION SHEET (NOT SHOWN)	1

CATALOG NUMBER	DESCRIPTION
NSODM8	8 PORT CAT 5e+ DATA NETWORK MODULE
NSODM8C6	8 PORT CAT 6 DATA NETWORK MODULE

NOTES:

- FCC PART 68 COMPLIANT
- TIA 568-A WIRED
- TRANSMISSION PERFORMANCE:
 NSODM8:
 ATTENUATION: PER CONNECTING HARDWARE REQUIREMENT OF TIA/EIA-568-B.2 CAT.5E
 RETURN LOSS: PER REQUIREMENTS OF TIA/EIA-568-B.2 CAT.5E
 NEXT: PER REQUIREMENTS OF TIA/EIA-568-B.2 CAT.5E
 TRANSFER IMPEDANCE: PER REQUIREMENTS OF TIA/EIA-568-B.2 CAT.5E
 NSODM8C6:
 ATTENUATION: PER CONNECTING HARDWARE REQUIREMENT OF TIA/EIA-568-B.2 CAT.6
 RETURN LOSS: PER REQUIREMENTS OF TIA/EIA-568-B.2 CAT.6
 NEXT: PER REQUIREMENTS OF TIA/EIA-568-B.2 CAT.6
 TRANSFER IMPEDANCE: PER REQUIREMENTS OF TIA/EIA-568-B.2 CAT.6
- ENVIRONMENTAL CONDITIONS
 TEMPERATURE RANGE
 STORAGE -40 TO +70°C
 OPERATION -10 TO +60°C
 RELATIVE HUMIDITY (OPERATIONAL):
 MAXIMUM NONCONDENSING 93%
- ELECTRICAL
 ELECTRICAL INSULATION RESISTANCE:
 500 MΩ MIN. @ 100V D.C
 DIELECTRIC WITHSTANDING VOLTAGE:
 1000V D.C OR A.C. PEAK CONTACT @ 60HZ FOR 1 MINUTE
 SPRING WIRE CONTACT RESISTANCE: 20 MΩ MAX.
 IDC CONTACT RESISTANCE: 2.5 MΩ MAX.
 CURRENT RATING: AS FIGURE.
- COLOR: BLACK WITH WHITE SILK-SCREEN.
- SPECIFICATIONS SUBJECT TO CHANGE WITHOUT NOTICE.



Created on AUTOCAD	DIMENSIONING AND TOLERANCE PER ANSI Y14.5M-1982 UNLESS OTHERWISE SPECIFIED, DIMENSIONS ARE IN INCHES (MM). TOLERANCES .XX = ±.01 (.25) .XXX = ±.005 (.127) .XXXX = ±.0025 (.0635) ANGLE TOL ±1°		PROJECT REFERENCE: 2008-009		 Hubbell Premise Wiring HUBBELL INCORPORATED (Delaware) 14 Lord's Hill Road, Stonington, Connecticut 06378		
			MATERIAL: BRACKET: ABS PLASTIC UL 94-V0			TITLE: SOHO 8 PORT CAT 5e DATA MODULE	
			DRAWN BY: B MARTINO 01/24/08		SIZE: B	DRAWING NO.: HWS12635C	REV.: B
			CHECKED BY:		SCALE: N/A		SHEET 1 OF 1
		APPROVED BY:					

REV.	ECN	DATE	DESCRIPTION	CHG BY	APPD BY
B	21405	08/10/16	DIMENSIONAL UPDATE.	JJRJ	