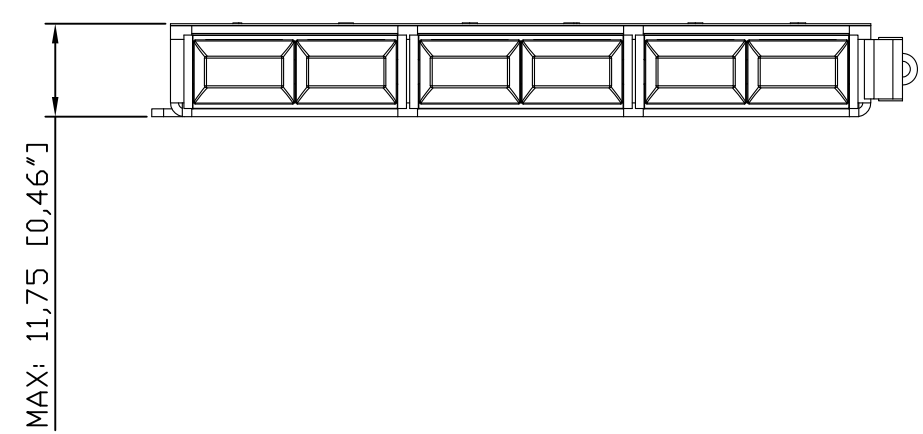
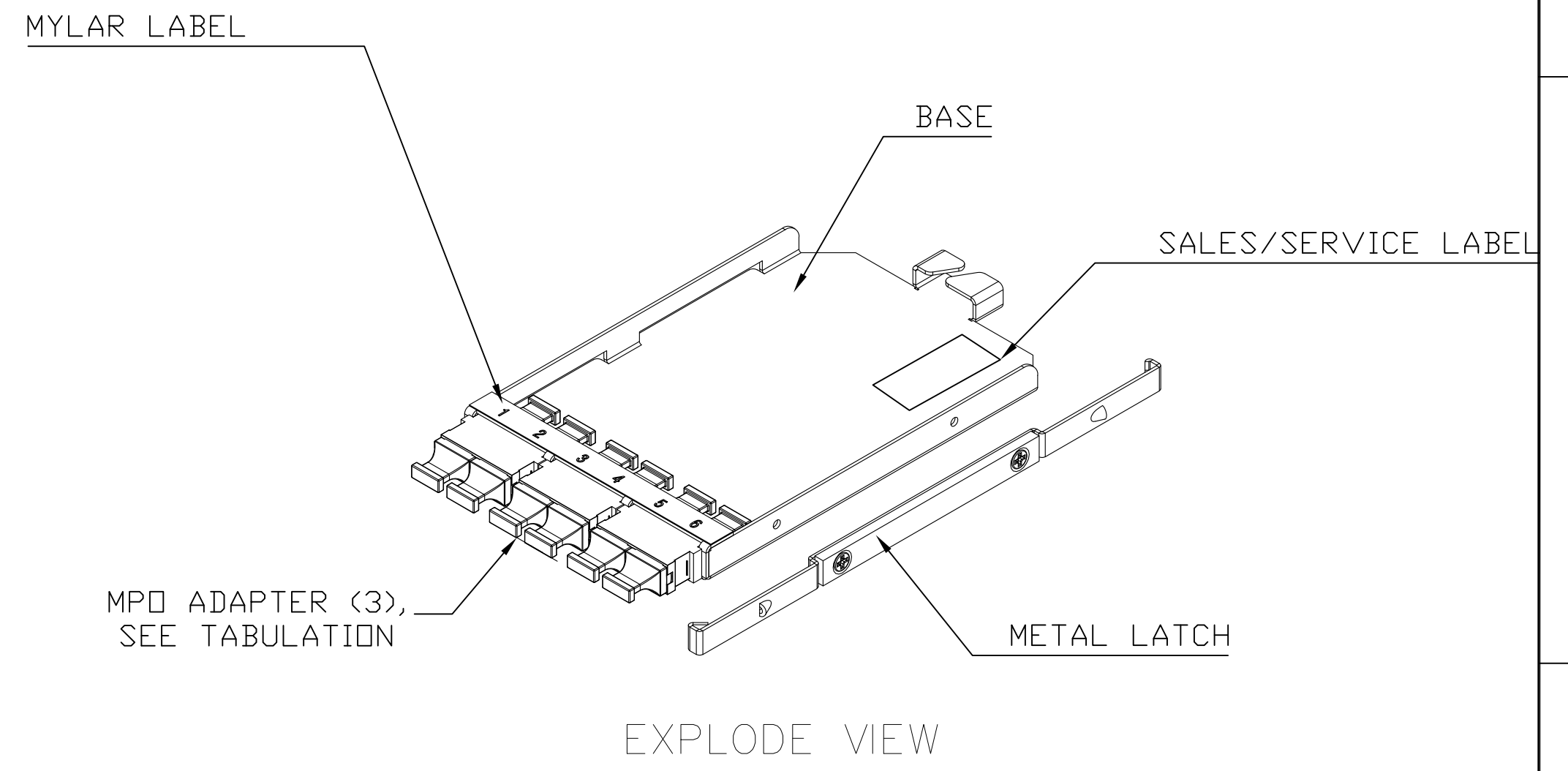
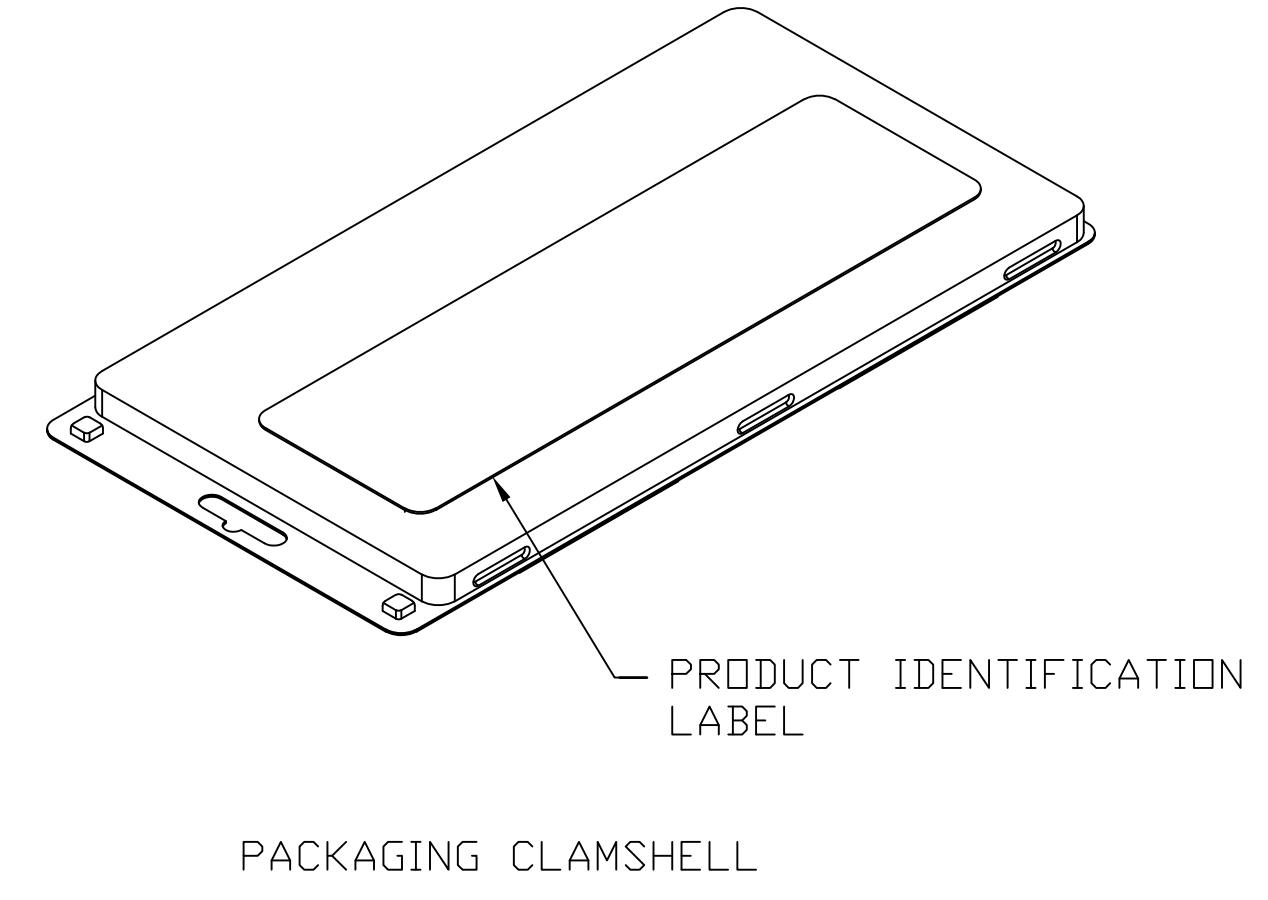
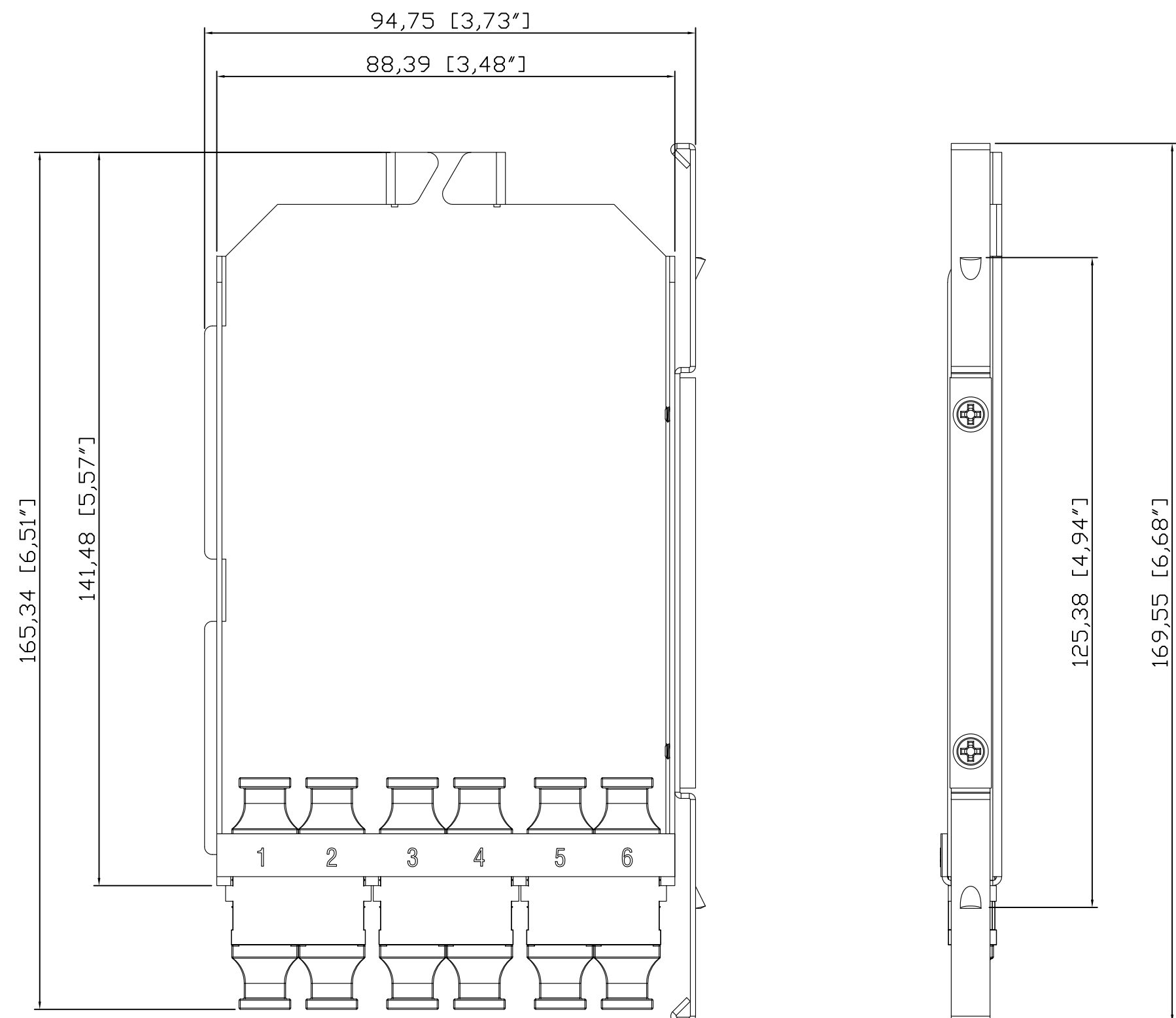


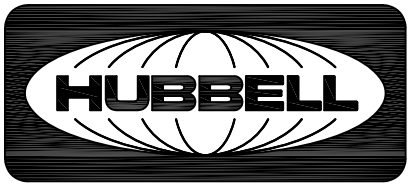
CATALOG NO.	ADAPTER COLOR	ADAPTER POLARITY
□CHDMTPD3AQ	AQUA	STRAIGHT
□CHDMTPD3VI	ERIKA VIOLET	STRAIGHT
□CHDMTPD3RP	GRAY	REVERSE
□CHDMTPD3GN	GREEN	STRAIGHT

NOTES:

1. SURFACE FINISH: BLACK POWDER COAT
2. SPECIFICATIONS SUBJECT TO CHANGE WITHOUT NOTICE.



2	22534	11/14/16	ADDED NEW CATALOG PART	AK	MMA
REV.	ECN	DATE	DESCRIPTION	CHG BY	APPD BY

Created on AUTOCAD	DIMENSIONING AND TOLERANCE PER ANSI Y14.5M-1982 UNLESS OTHERWISE SPECIFIED, DIMENSIONS ARE IN INCHES (MM). TOLERANCES .XX = ±.01 (.25) .XXX = ±.005 (.127) .XXXX = ±.0025 (.0635) ANGLE TOL ±1°		PROJECT REFERENCE: NPD 00160		 Hubbell Premise Wiring HUBBELL INCORPORATED (Delaware) 23 CLARA DRIVE, SUITE 103 MYSTIC, CT 06355		
	IN ACCEPTING OUR DRAWINGS, BLUEPRINTS, OR SUPPORTING DOCUMENTATION FOR QUOTATION OR OTHER PURPOSES, YOU AGREE NOT TO DISCLOSE TO OTHERS THE IDEAS, INFORMATION, OR DESIGNS SHOWN HEREIN, AND THAT YOU WILL MAKE NO USE OF SAME WITHOUT PERMISSION		MATERIAL: CASSETTE: 1mm AL 5052 ADAPTER: ENGINEERING PLASTIC			TITLE: HD FIBER CASSETTE WITH (3) MPO ADAPTERS	
			DRAWN BY: M. ABBY 10/17/16		SIZE: C	DRAWING NO.: HWS14712C	REV.: 2
			CHECKED BY:		SCALE: N/A		SHEET 1 OF 1