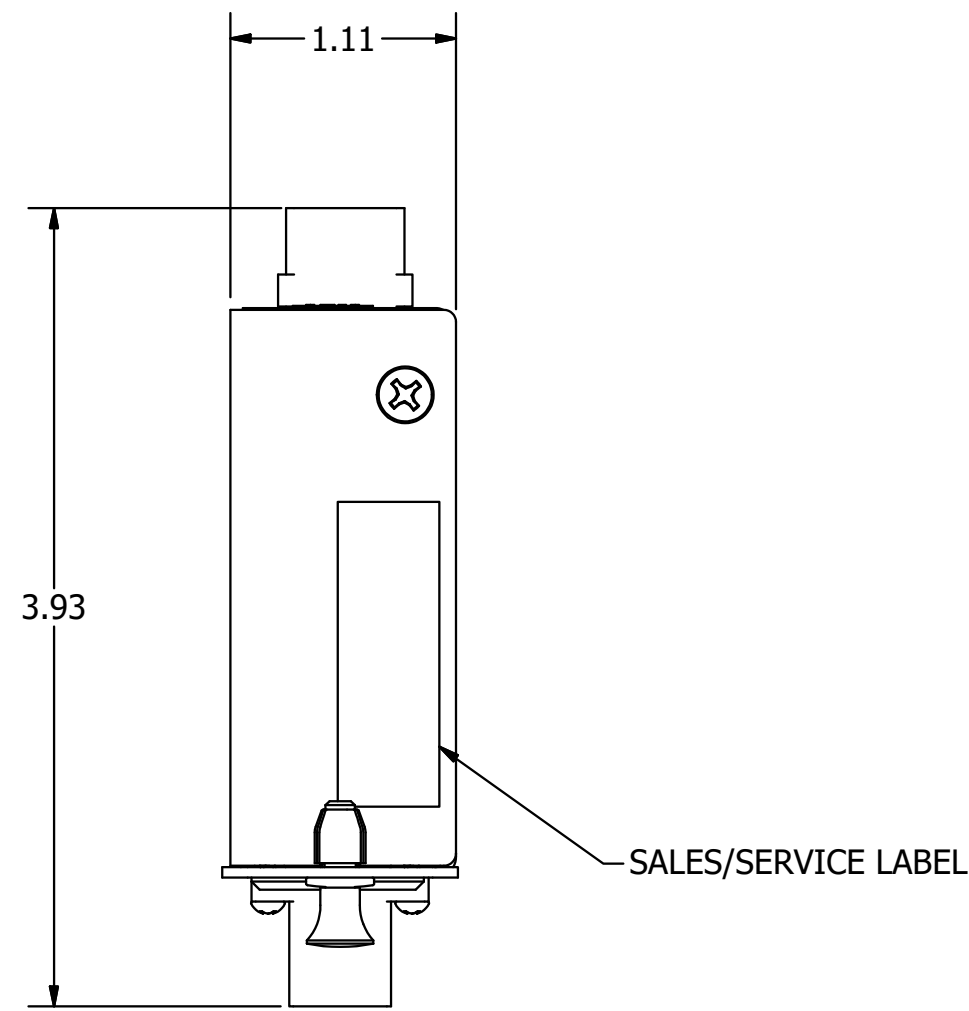
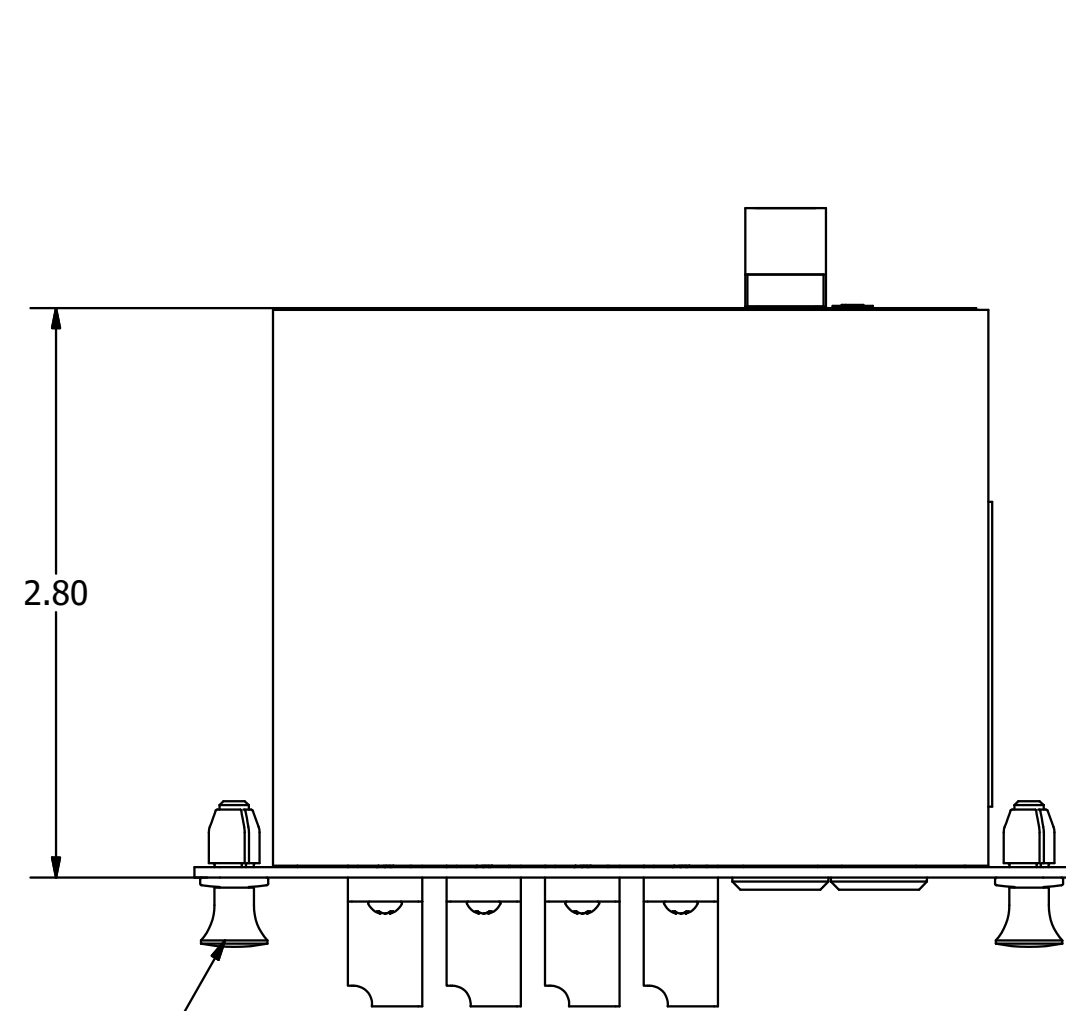
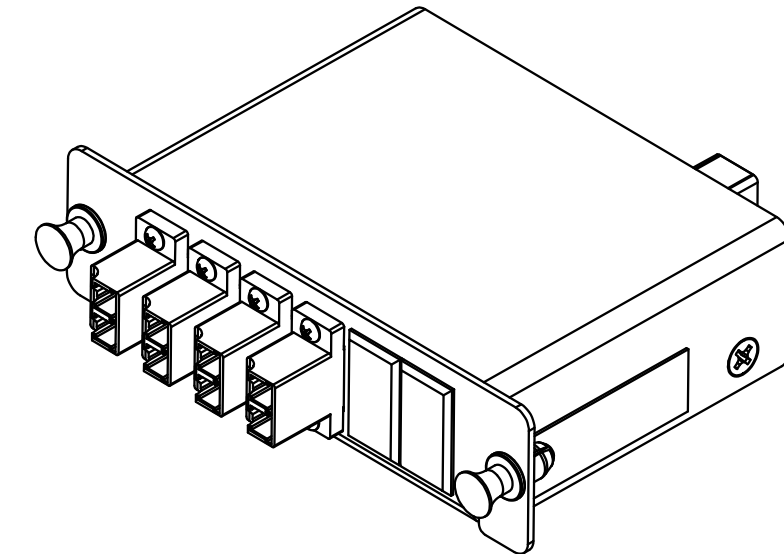
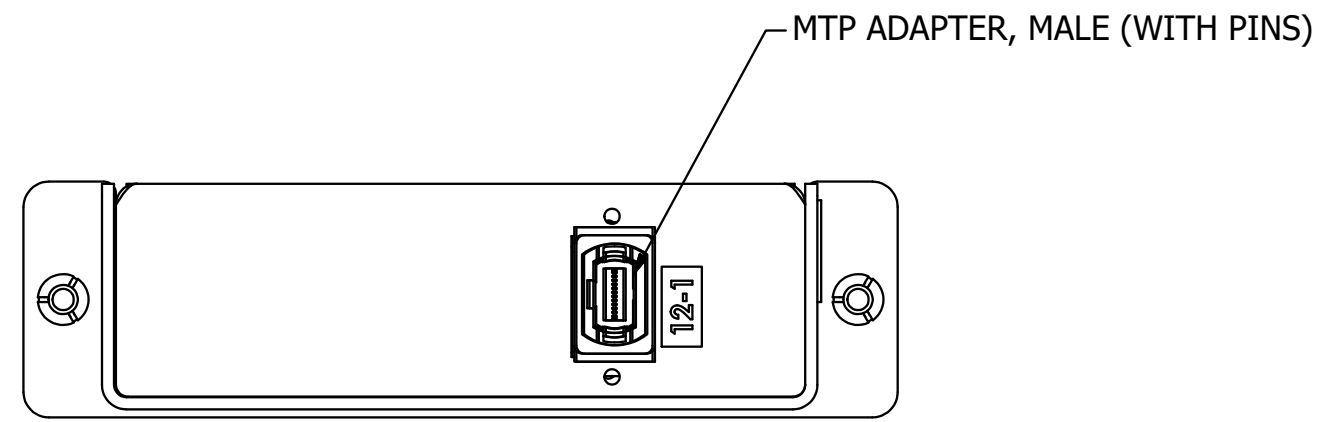
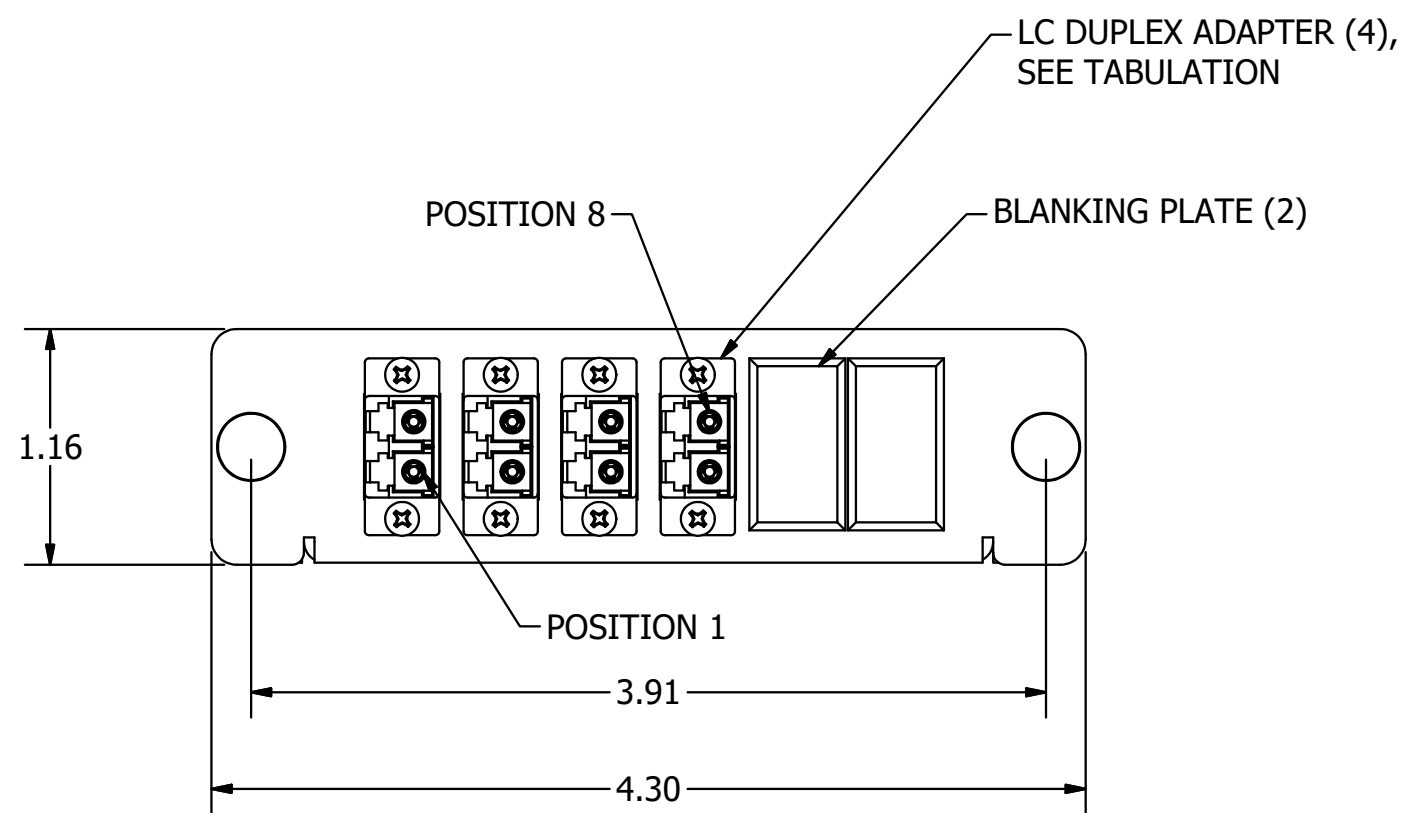


| CATALOG #     | DESCRIPTION                              | ADAPTER BODY COLOR | SPLIT SLEEVE |
|---------------|--|--------------------|--------------|
| OCLCD40G8H4   | FIBER,CASSETTE,HD-H4,40G,LC-MT,OM4,8F    | AQUA               | ZIRCONIA     |
| OCLCD40G8H4VI | FIBER,CASSETT,HD-H4,40G,LC-MT,OM4,8F,EVI | ERIKA VIOLET       | ZIRCONIA     |

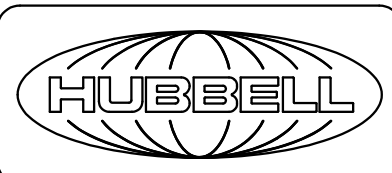


NOTES:

1. CASSETTE: STEEL, BLACK POWDER COAT
2. INSERTION LOSS TEST REPORT INCLUDED
3. CASSETTE POLARITY: TYPE A
4. ALL FIBER IS BEND-INSENSITIVE
5. SPECIFICATIONS SUBJECT TO CHANGE WITHOUT NOTICE.



| REV. | ECN   | DATE     | DESCRIPTION        | CHG BY | APPD BY |
|------|-------|----------|--------------------|--------|---------|
| 2    | 22499 | 07/20/17 | UPDATED DIMENSIONS | MMA    | DO      |

|                     |   |  |  |  |  |                                       |                   |
|---------------------|---|--|--|--|--|---------------------------------------|-------------------|
| Created on INVENTOR | DIMENSIONING AND TOLERANCE PER ANSI Y14.5M-1982<br>UNLESS OTHERWISE SPECIFIED, DIMENSIONS ARE IN INCHES (MM).<br>TOLERANCES: XX = ±.01 (.25)<br>.XXX = ±.005 (.127)<br>.XXXX = ±.0025 (.0635)<br>ANGLE TOL ±1°                                    |  | PROJECT REFERENCE:<br><b>NPD 00160</b> |  |  <b>Hubbell Premise Wiring</b><br>HUBBELL INCORPORATED (Delaware)<br>23 CLARA DRIVE, SUITE 103 MYSTIC, CT 06355 |                                       |                   |
|                     | IN ACCEPTING OUR DRAWINGS, BLUEPRINTS, OR SUPPORTING DOCUMENTATION FOR QUOTATION OR OTHER PURPOSES, YOU AGREE NOT TO DISCLOSE TO OTHERS THE IDEAS, INFORMATION, OR DESIGNS SHOWN HEREIN, AND THAT YOU WILL MAKE NO USE OF SAME WITHOUT PERMISSION |  | MATERIAL:                              |  |  | TITLE:<br>FIBER CASSETTE 40G LC-MT H4 |                   |
|                     |   |  | DRAWN BY:<br><b>MABBY 02/22/16</b>     |  | SIZE: <b>C</b>   | DRAWING NO.:<br><b>HWS14607C</b>      | REV.:<br><b>2</b> |
|                     |   |  | CHECKED BY:<br>APPROVED BY:            |  | SCALE: SHEET <b>1</b> OF <b>1</b>  |                                       |                   |