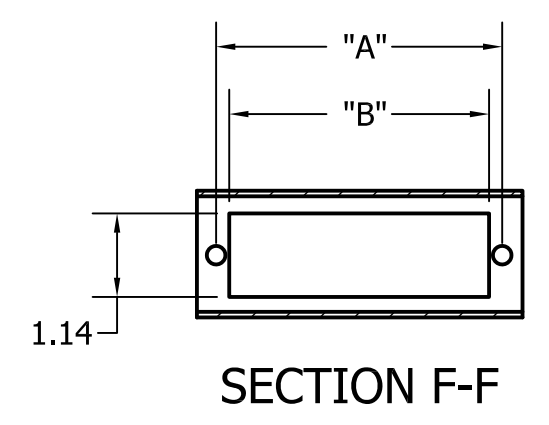
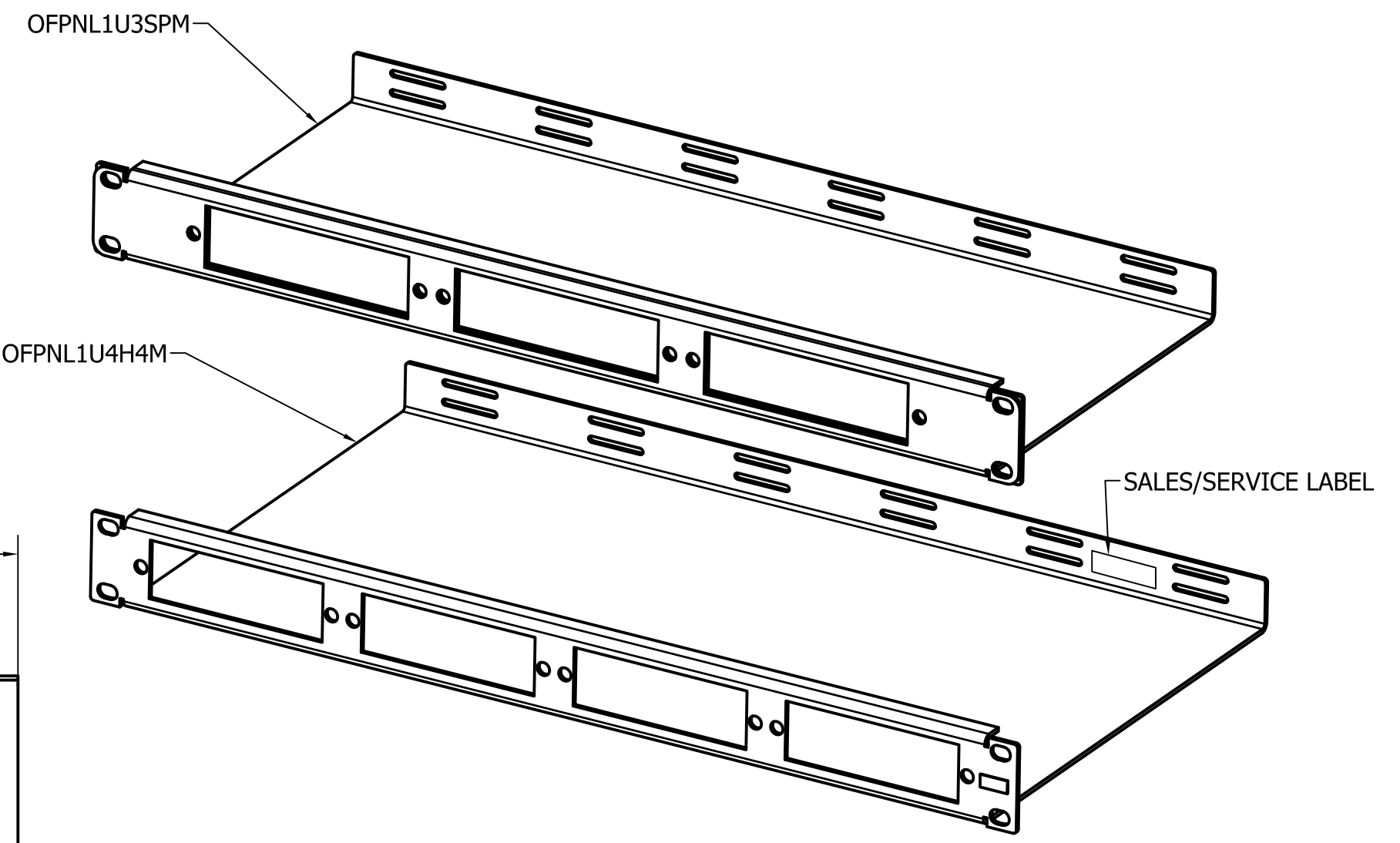
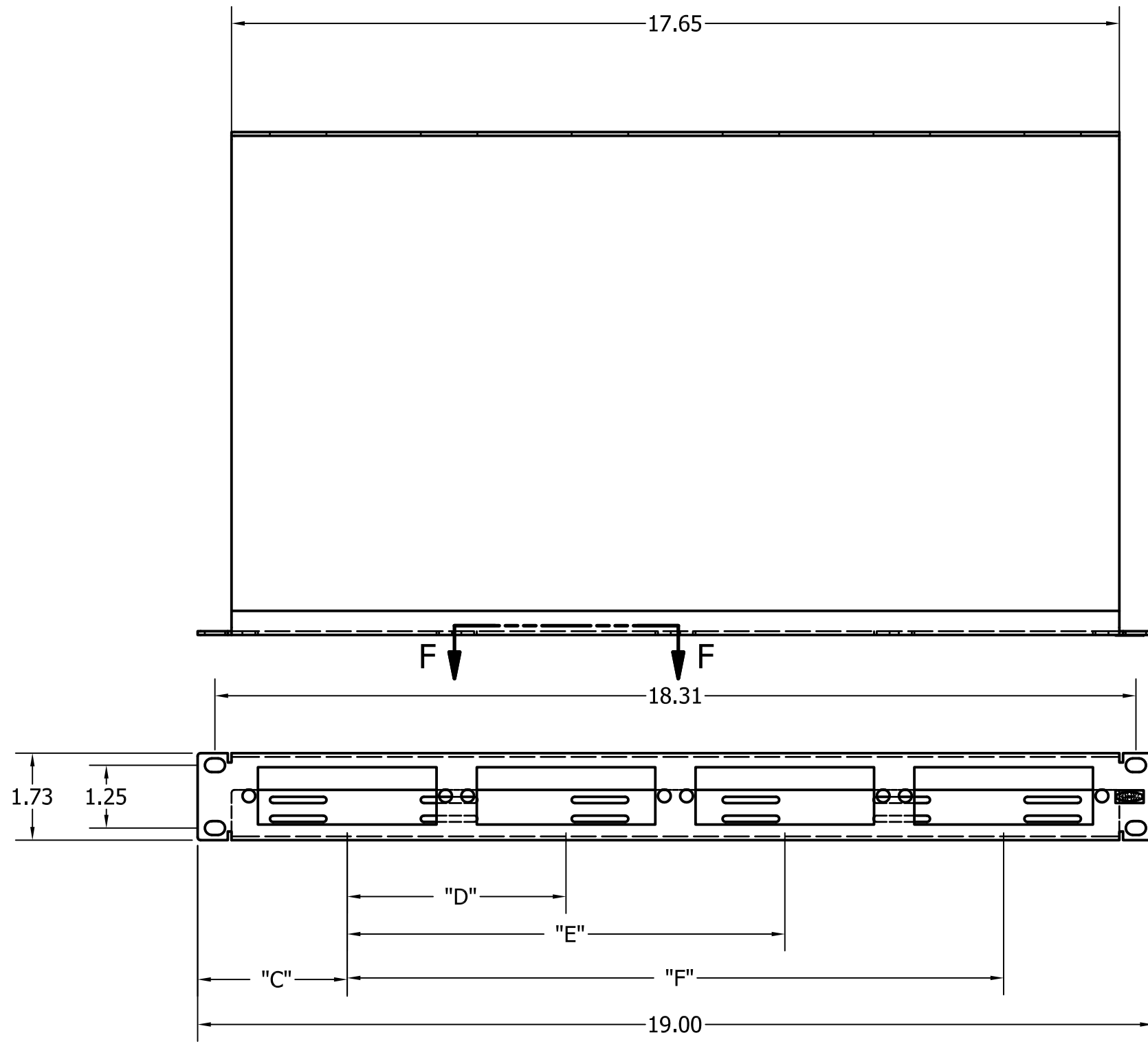
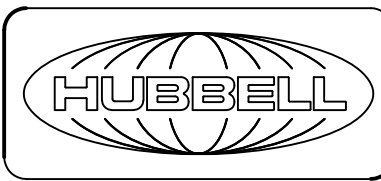


CATALOG NO.	DESCRIPTION	PANEL DEPTH
OFPNL1U3SPM	FIBER,RKMT PNL,1U,3SP,W/MGT,UNLD	8.00
OFPNL1U4H4M	FIBER,RKMT PNL,1U,4H4,W/MGT,UNLD	10.00

NOTES:

- SURFACE FINISH: BLACK POWDER COAT
- INCLUDES HARDWARE PACK:  
 (4) #12-24 X 5/8 PAN HEAD SCREW  
 (4) #12 NYLON WASHER
- SPECIFICATIONS SUBJECT TO CHANGE WITHOUT NOTICE.



Created on INVENTOR	DIMENSIONING AND TOLERANCE PER ANSI Y14.5M-1982 UNLESS OTHERWISE SPECIFIED, DIMENSIONS ARE IN INCHES (MM). TOLERANCES: .XX = ±.01 (.25) .XXX = ±.005 (.127) .XXXX = ±.0025 (.0635) ANGLE TOL ±1°		PROJECT REFERENCE: NPD 00160		 <b>Hubbell Premise Wiring</b> HUBBELL INCORPORATED (Delaware) 23 CLARA DRIVE, SUITE 103 MYSTIC, CT 06355		
	IN ACCEPTING OUR DRAWINGS, BLUEPRINTS, OR SUPPORTING DOCUMENTATION FOR QUOTATION OR OTHER PURPOSES, YOU AGREE NOT TO DISCLOSE TO OTHERS THE IDEAS, INFORMATION, OR DESIGNS SHOWN HEREIN, AND THAT YOU WILL MAKE NO USE OF SAME WITHOUT PERMISSION		MATERIAL: CRS			TITLE: 1U FIBER RACKMOUNT PANEL WITH CABLE MANAGEMENT	
			DRAWN BY: MABBY 06/01/16		SIZE: <b>C</b>	DRAWING NO.: <b>HWS14567C</b>	REV.: <b>2</b>
			CHECKED BY:		SCALE: N/A SHEET 1 OF 1		
		APPROVED BY:					

REV.	ECN	DATE	DESCRIPTION	CHG BY	APPD BY
2	22401	11/7/16	REVISED DEPTH	MMA	DO