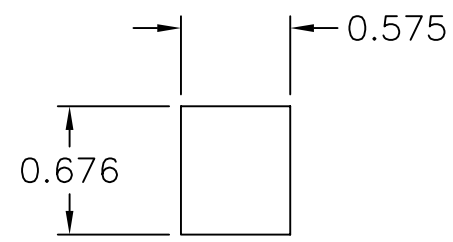
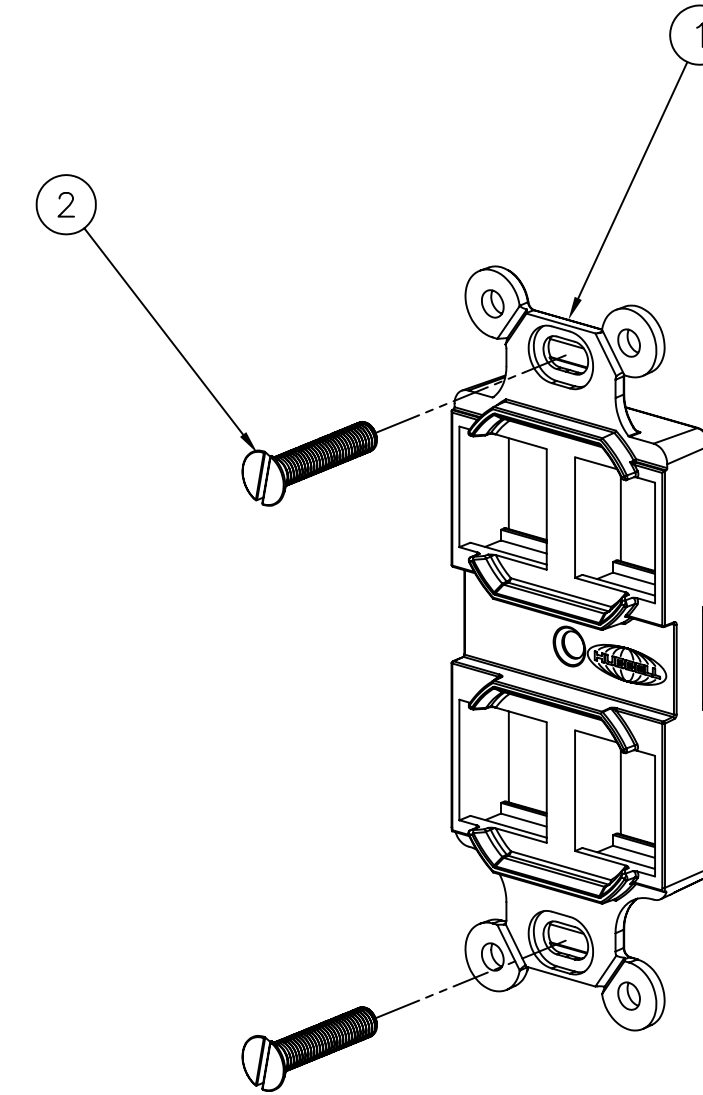
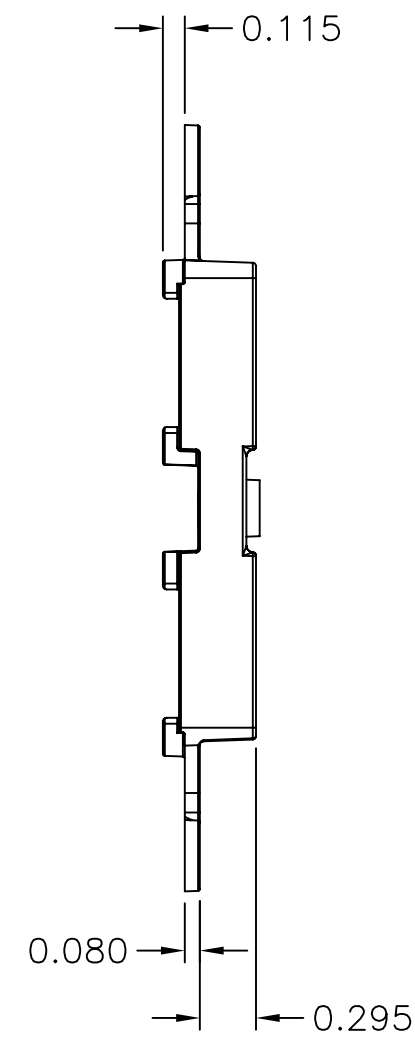
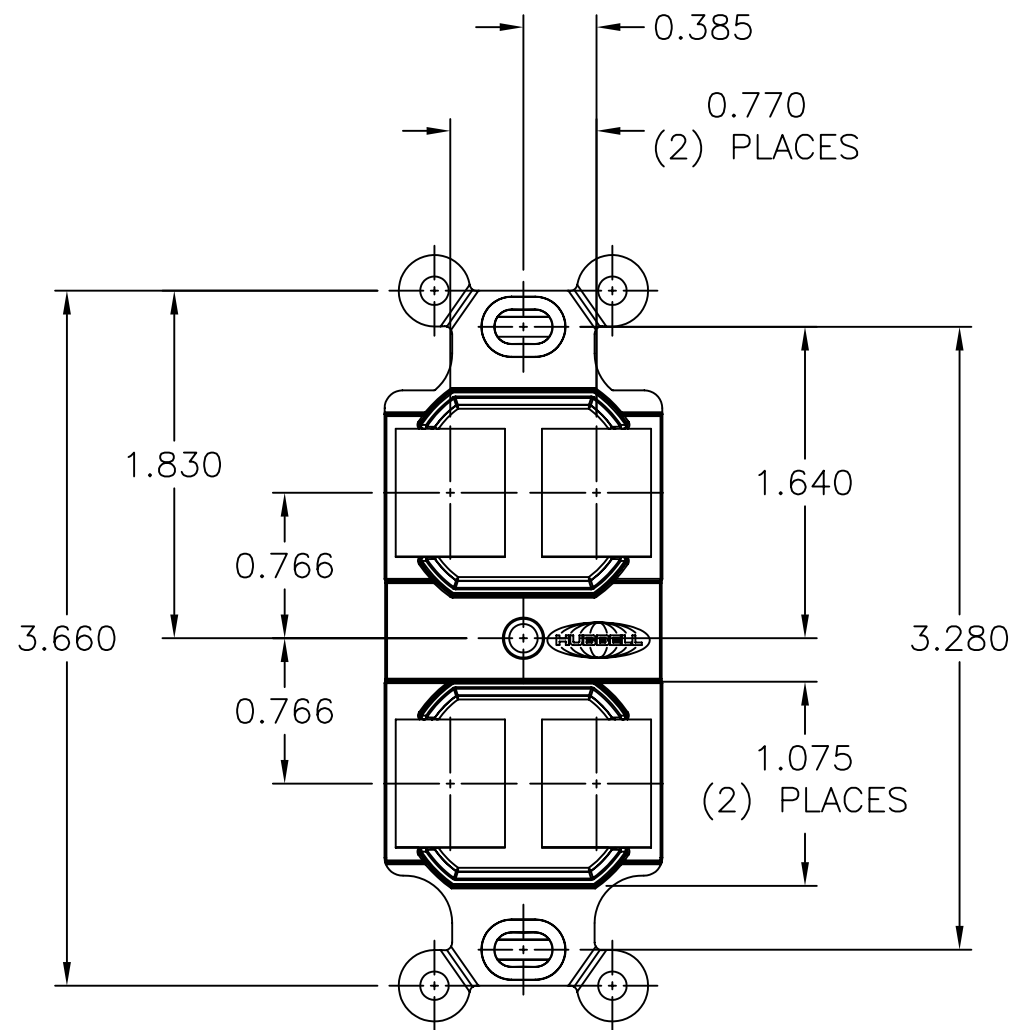


ITEM NO.	DESCRIPTION	QTY.
1	OUTLET, 4 PORT, MODULAR FRAME	1
2	SCREW,6-32 x 7/8,SLTD,FLAT HEAD	2

CATALOG NUMBER	COLOR	DESCRIPTION
Q1060	OFFICE WHITE	INFIN-E-STATION 106 FRAME 4 PORT
Q106B	BLACK	INFIN-E-STATION 106 FRAME 4 PORT
Q106G	GRAY	INFIN-E-STATION 106 FRAME 4 PORT
Q106W	WHITE	INFIN-E-STATION 106 FRAME 4 PORT
Q106E	ELECTRIC IVORY	INFIN-E-STATION 106 FRAME 4 PORT
Q106AL	ALMOND	INFIN-E-STATION 106 FRAME 4 PORT
Q106LA	LIGHT ALMOND	INFIN-E-STATION 106 FRAME 4 PORT



KEYSTONE OPENING




NOTES
UNLESS OTHERWISE SPECIFIED:

- UL LISTED
- CSA CERTIFIED
- SPECIFICATIONS SUBJECT TO CHANGE WITHOUT NOTICE

REV.	ECN	DATE	DESCRIPTION	CHG BY	APPD BY
C	5870	6/9/06	ADDED -LA CATALOG NUMBER	CD	
B	5680	8/23/05	ADDED -AL CATALOG NUMBER	CD	
A	4334	06/19/01	INITIAL RELEASE	PSM	HKM

Created on AUTOCAD	DIMENSIONING AND TOLERANCE PER ANSI Y14.5M-1982 UNLESS OTHERWISE SPECIFIED, DIMENSIONS ARE IN INCHES (MM). TOLERANCES .XX = ±.01 (.25) .XXX = ±.005 (.127) .XXXX = ±.0025 (.0635) ANGLE TOL ±1°	PROJECT REFERENCE:	
	IN ACCEPTING OUR DRAWINGS, BLUEPRINTS, OR SUPPORTING DOCUMENTATION FOR QUOTATION OR OTHER PURPOSES, YOU AGREE NOT TO DISCLOSE TO OTHERS THE IDEAS, INFORMATION, OR DESIGNS SHOWN HEREIN, AND THAT YOU WILL MAKE NO USE OF SAME WITHOUT PERMISSION	MATERIAL:	
		DRAWN BY: P.S.MAGUIRE 06/19/2001	
		CHECKED BY: H.McGREGOR 06/20/2001	
	APPROVED BY: G.KIERSTEAD 06/20/2001		

 Hubbell Premise Wiring HUBBELL INCORPORATED (Delaware) 14 Lord's Hill Road, Stonington, Connecticut 06378		TITLE: INFIN-E-STATION 4 PORT, MODULAR 106 FRAME	
		SIZE C	DRAWING NO. C11282
SCALE: FULL		SHEET 1 OF 1	