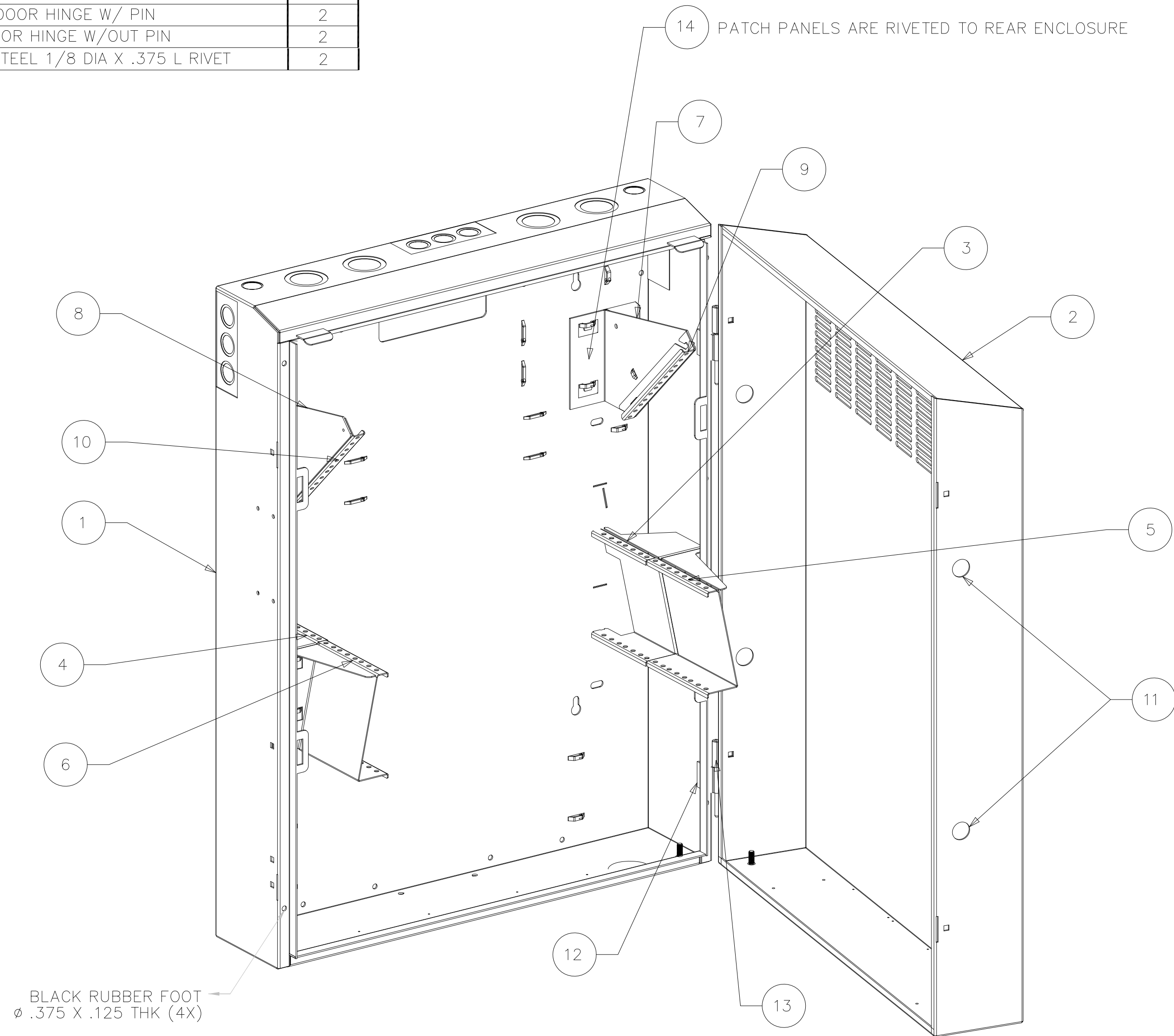


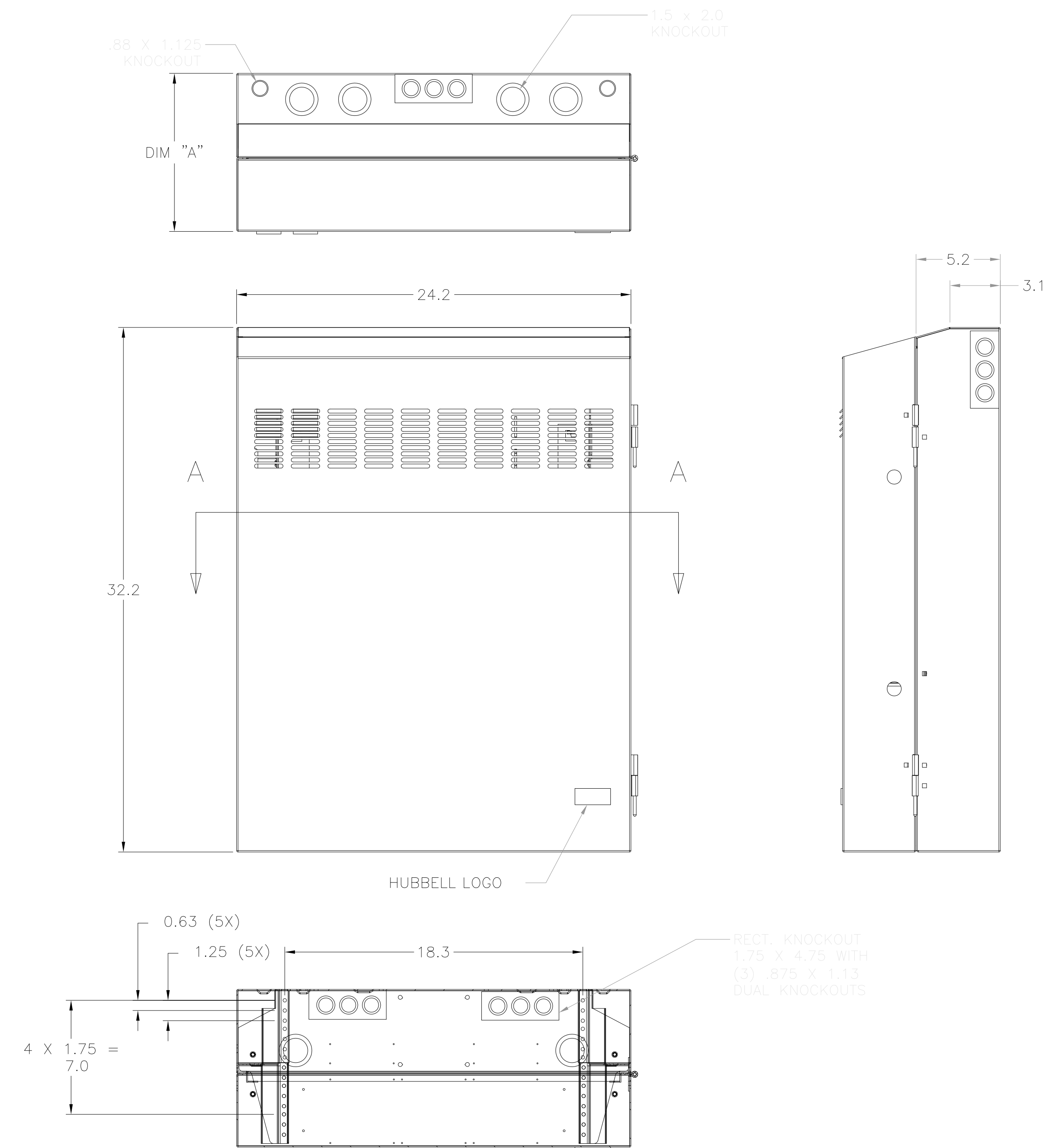
ITEM NO.	DESCRIPTION	QTY.
1	ENCLOSURE REAR	1
2	DOOR	1
3	2U HUB BRACKET RIGHT	1
4	2U HUB BRACKET LEFT	1
5	4U HUB BRACKET RIGHT	1
6	4U HUB BRACKET LEFT	1
7	BRACKET OUTER RIGHT	1
8	BRACKET OUTER LEFT	1
9	BRACKET INNER RIGHT	1
10	BRACKET INNER LEFT	1
11	LOCK BELLCORE	2
12	DOOR HINGE W/ PIN	2
13	DOOR HINGE W/OUT PIN	2
14	STAINLESS STEEL 1/8 DIA X .375 L RIVET	2

CATALOG NUMBER	HOUSING COLOR	DIM "A"	DESCRIPTION
RE2	GREY STANDARD	7.42	REBOX 2 RACK POSITION
RE4	GREY STANDARD	9.7	REBOX 4 RACK POSITION
RE2B	BLACK STANDARD	7.42	REBOX 2 RACK POSITION
RE4X	BLACK STANDARD	9.7	REBOX 4 RACK POSITION



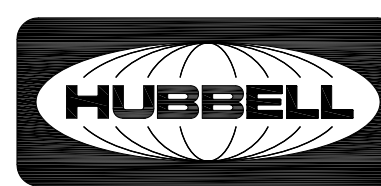
4U REMOTE EQUIPMENT BOX
ASSEMBLY SHOWN

- NOTES:
- THE FOLLOWING ITEMS INCLUDED:
 - (1) MOUNTING TEMPLATE
 - (1) BELLCORE KEY
 - SPECIFICATIONS SUBJECT TO CHANGE WITHOUT NOTICE.



4U REMOTE EQUIPMENT BOX
ASSEMBLY SHOWN

REV.	ECN	DATE	DESCRIPTION	CHG BY	APPD BY
D	21405	06/30/16	UPDATED CATALOG NUMBER AND NOTES	MMA	DO

Created on AUTOCAD	DIMENSIONING AND TOLERANCE PER ANSI Y14.5M-1982 UNLESS OTHERWISE SPECIFIED, DIMENSIONS ARE IN INCHES (MM). TOLERANCES .X = ±.03 (.8) .XX = ±.02 (.4) .XXX = ±.010 (.25) ANGLE TOL ±1°	PROJECT REFERENCE: PMS 499	 Hubbell Premise Wiring HUBBELL INCORPORATED (Delaware) 14 Lord's Hill Road, Stonington, Connecticut 06378
	IN ACCEPTING OUR DRAWINGS, BLUEPRINTS, OR SUPPORTING DOCUMENTATION FOR QUOTATION OR OTHER PURPOSES, YOU AGREE NOT TO DISCLOSE TO OTHERS THE IDEAS, INFORMATION, OR DESIGNS SHOWN HEREIN, AND THAT YOU WILL MAKE NO USE OF SAME WITHOUT PERMISSION.	MATERIAL:	
		DRAWN BY: GLEN P. EIGO 4/16/2004	SIZE DRAWING NO. D C11091
		CHECKED BY:	SCALE: N/A SHEET 1 OF 1
		APPROVED BY:	REV. D