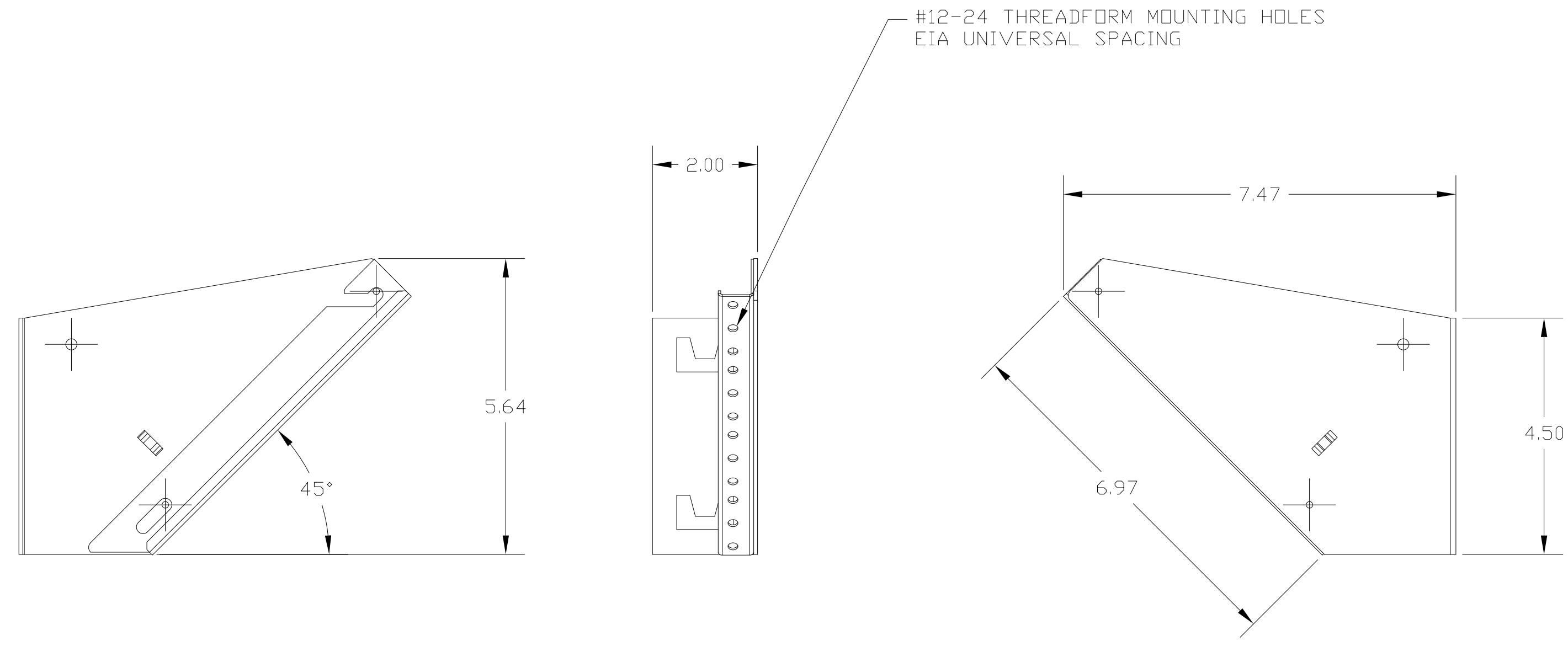
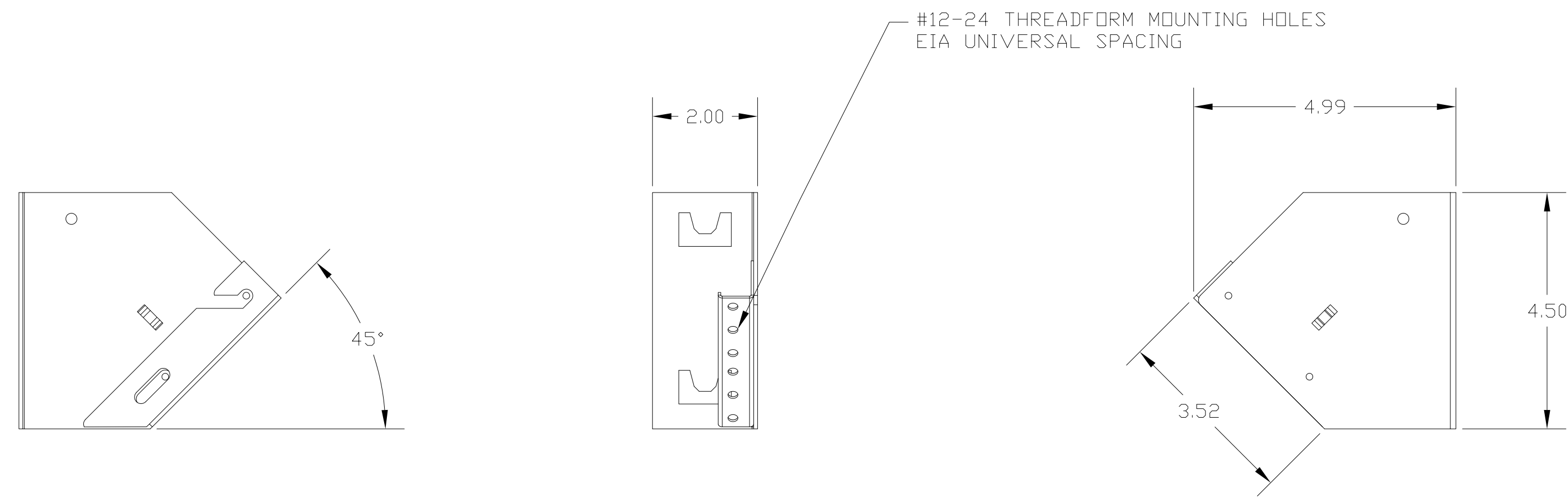


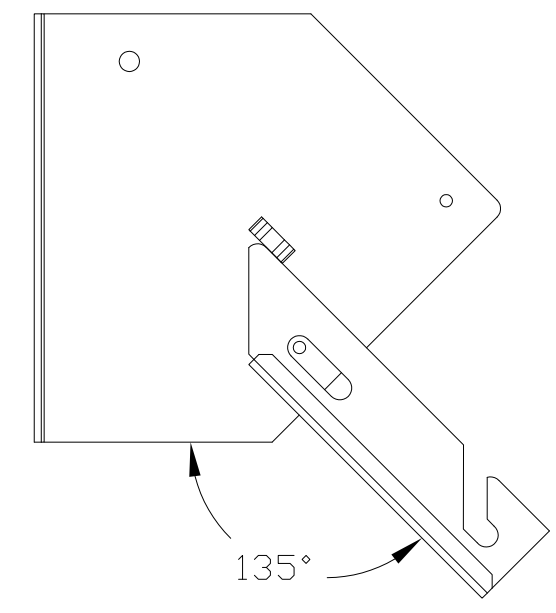
CATALOG NUMBER	COLOR	DESCRIPTION
REK19	LIGHT GRAY	4U ANGLE BRACKET KIT
REK19L	LIGHT GRAY	2U ANGLE BRACKET KIT



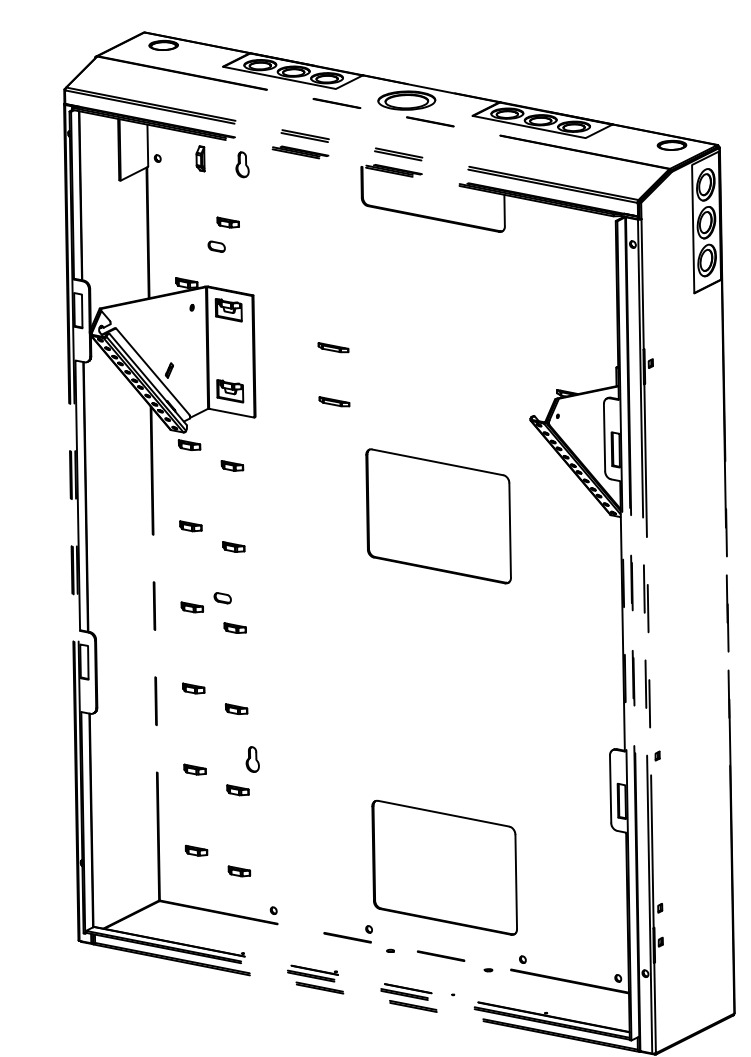
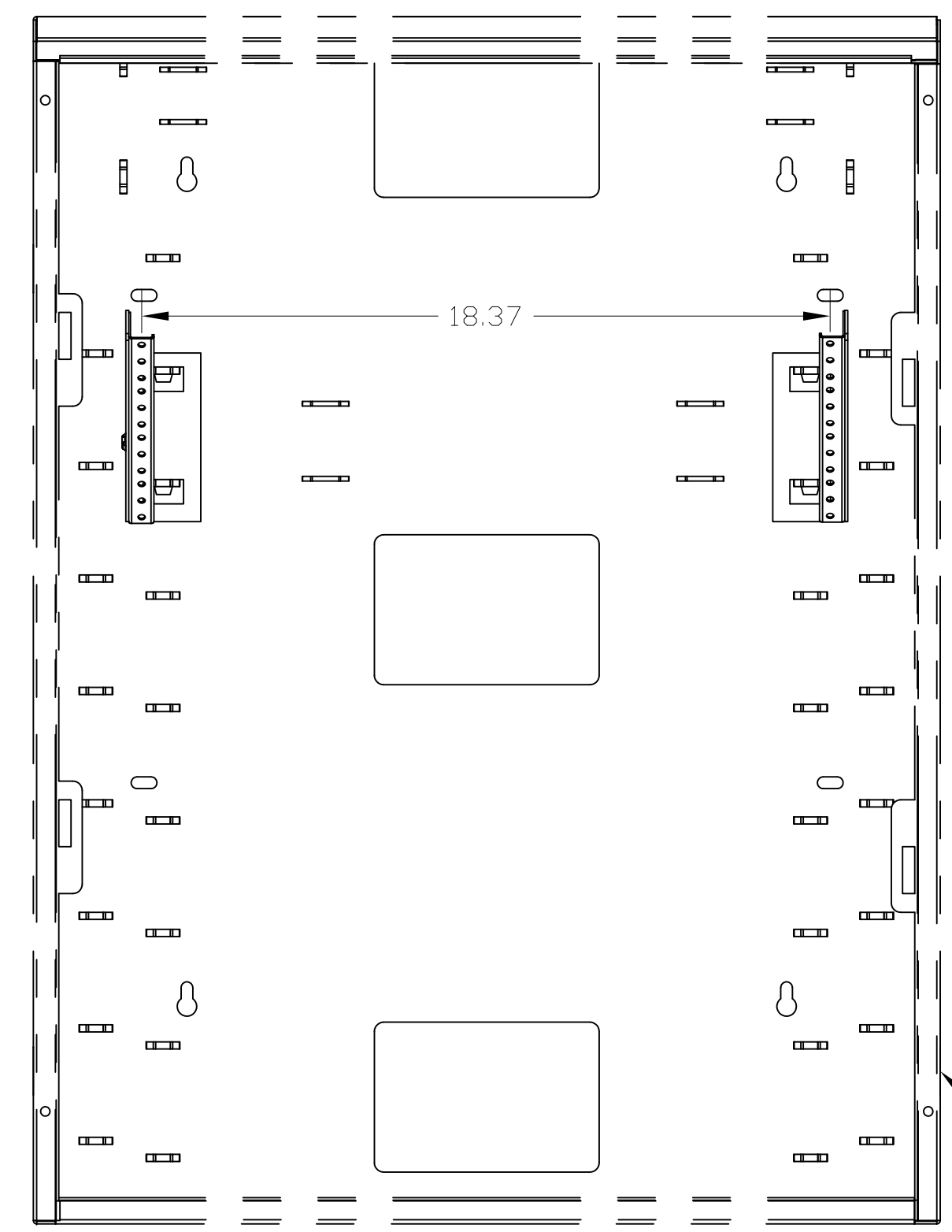
REK19 (RIGHT SIDE SHOWN)



REK19L (RIGHT SIDE SHOWN)




- NOTES:
1. RIGHT SIDE SHOWN, LEFT SIDE IS MIRROR IMAGE OF RIGHT SIDE.
 2. KITS CONTAIN ONE LEFT SIDE AND ONE RIGHT SIDE ANGLED BRACKET.
 3. SPECIFICATIONS SUBJECT TO CHANGE WITHOUT NOTICE.



SHOWN FOR REFERENCE ONLY

REV.	ECN	DATE	DESCRIPTION	CHG BY	APPD BY
1	21405	08/26/16	INITIAL RELEASE	JJRJ	

Created on AUTOCAD	DIMENSIONING AND TOLERANCE PER ANSI Y14.5M-1982 UNLESS OTHERWISE SPECIFIED, DIMENSIONS ARE IN INCHES (MM). TOLERANCES .XX = ±.01 (.25) .XXX = ±.005 (.127) .XXXX = ±.0025 (.0635) ANGLE TOL ±1°		PROJECT REFERENCE: N/A		 Hubbell Premise Wiring HUBBELL INCORPORATED (Delaware) 14 Lord's Hill Road, Stonington, Connecticut 06378
	MATERIAL: C.R.S.		DRAWN BY: J.RUOT-JACKSON 8/26/16		
	IN ACCEPTING OUR DRAWINGS, BLUEPRINTS, OR SUPPORTING DOCUMENTATION FOR QUOTATION OR OTHER PURPOSES, YOU AGREE NOT TO DISCLOSE TO OTHERS THE IDEAS, INFORMATION, OR DESIGNS SHOWN HEREIN, AND THAT YOU WILL MAKE NO USE OF SAME WITHOUT PERMISSION		CHECKED BY:		TITLE: ANGLED BRACKET KIT
	APPROVED BY:		SIZE: D DRAWING NO.: C11443	REV.: 1 SCALE: 1/1 SHEET 1 OF 1	