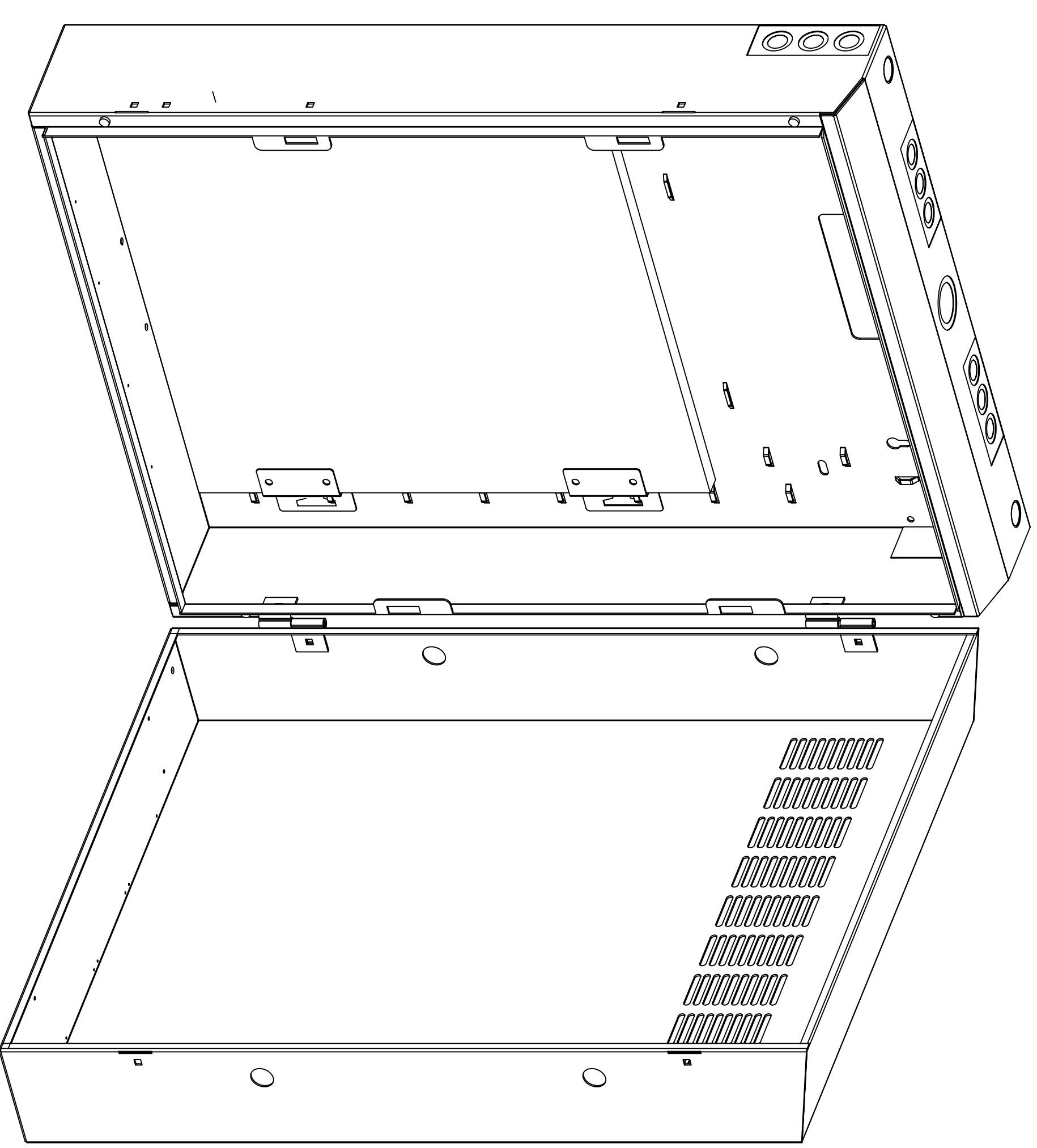
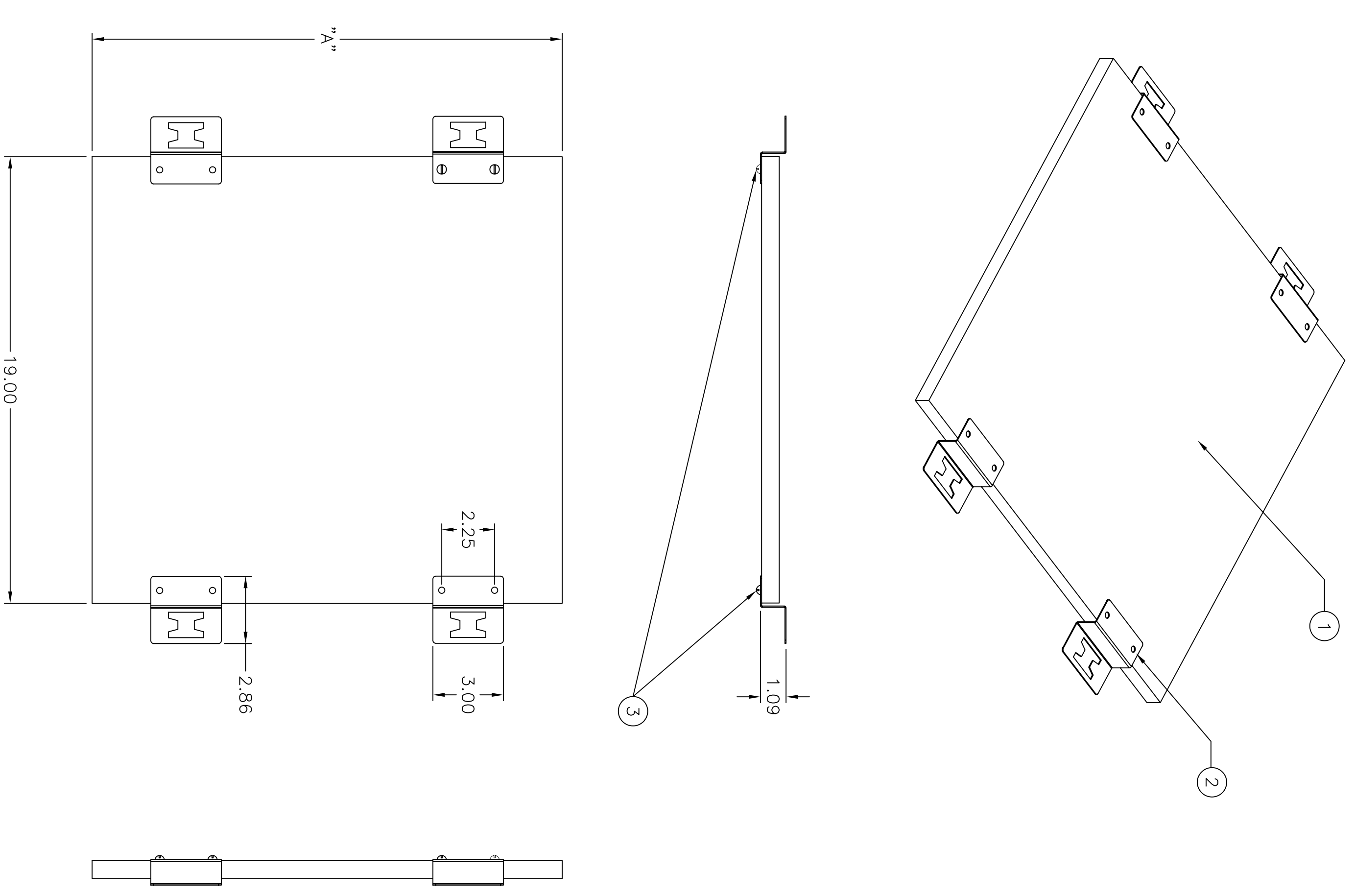


ITEM NO.	DESCRIPTION	QTY.
1	BACK BOARD	1
2	BRACKET	4
3	1/4-20 X 3/4" WOOD SCREW	8
4	INSTRUCTION SHEET	1

CATALOG NUMBER	DIMENSION "A"	DESCRIPTION
REKBB20	20"	20" PLYWOOD BACKBOARD
REKBB30	30"	30" PLYWOOD BACKBOARD
REKBB40	40"	40" PLYWOOD BACKBOARD
REKBBB	N/A	4 BRACKETS AND HARDWARE ONLY



REKBB20 SHOWN INSTALLED IN AN IDF24



NOTES:

- SPECIFICATIONS SUBJECT TO CHANGE WITHOUT NOTICE
- APA GRADE AC 3/4" PLYWOOD COATED WITH TWO COATS OF FIRE RETARDANT PAINT
- SURFACE FINISH OF BRACKET: LIGHT GREY
- SHIPPED UNASSEMBLED

REV.	EON	DATE	DESCRIPTION	CHG BY	APPD BY
B	5478	11/22/04	ADDED REKBBB CATALOG ITEM	GPE	MMA
A	5373	7/26/04	INITIAL RELEASE	GPE	MMA

Created on AUTOCAD		DIMENSIONING AND TOLERANCE PER ANSI Y14.5M-2001 UNLESS OTHERWISE SPECIFIED, DIMENSIONS ARE IN INCHES (MM). TOLERANCES X = ±.03 (.8) XX = ±.02 (.4) XXX = ±.01 (.25) ANGLE, TOL. E.T.	
PROJECT REFERENCE: MATERIAL: PLYWOOD COLD ROLLED STEEL		IN ACCEPTING OUR DRAWINGS, YOU AGREE TO HOLD US HARMLESS FROM LIABILITY FOR DOCUMENTATION FOR QUOTATION OR OTHER PURPOSES. YOU AGREE NOT TO DISCLOSE TO OTHERS THE IDEAS, INFORMATION, OR DESIGN HEREIN WITHOUT OUR WRITTEN PERMISSION.	
DRAWN BY: GLEN P. EIGO		CHECKED BY: M. M. ABBY, 7/27/04	
APPROVED BY: R. BAXTER, 7/27/04		SIZE: DRAWING NO. D C11460	
SCALE: 1/4		SHEET 1 OF 1	
Hubbell Premise Wiring HUBBELL INCORPORATED (Delaware) 14 Lord's Hill Road, Stonington, Connecticut 06378		REV. B	